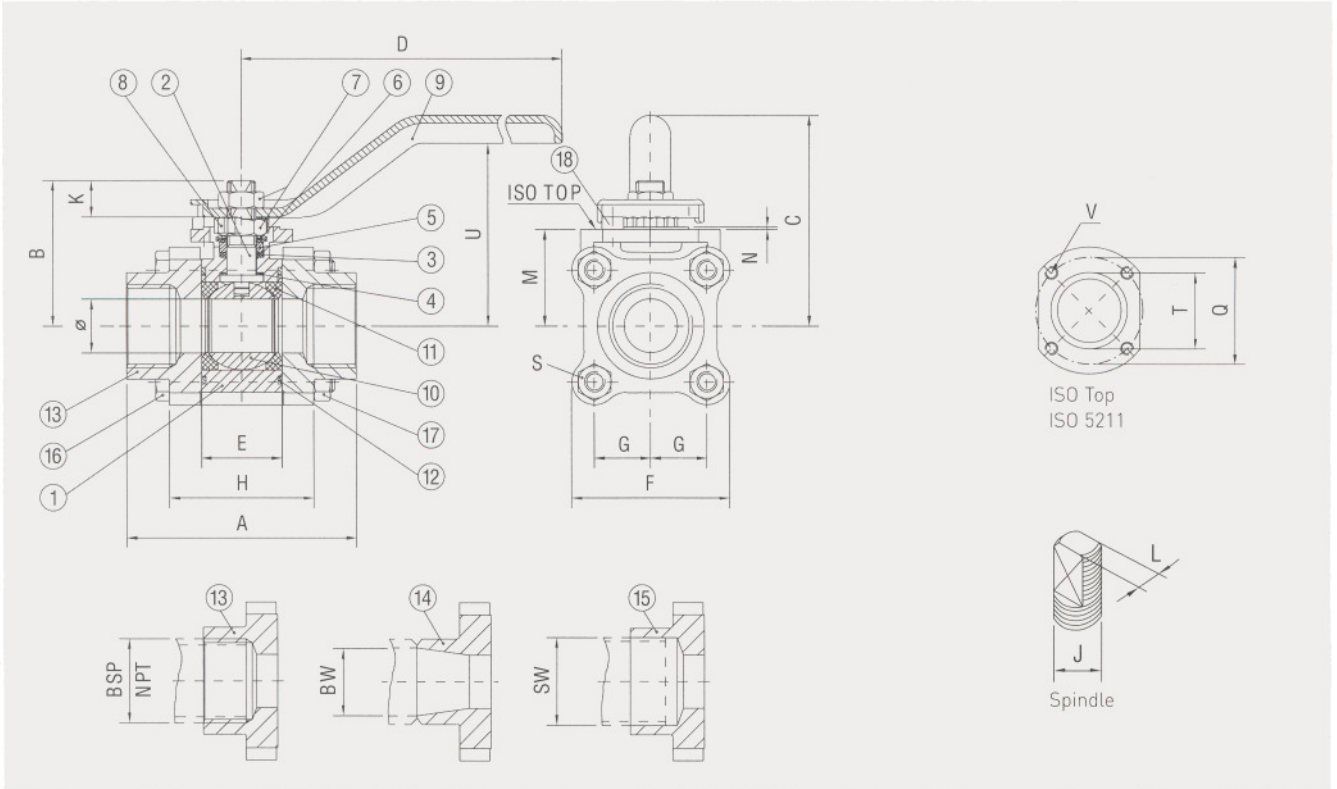


Reduced bore DN 15-50 (1/2" - 2")



With encapsulated bolts
and ISO mounting flange



Reduced bore DN 15-50 (1/2" - 2")

DN	15	20	25	32	40	50
SIZE	1/2"	3/4"	1"	1 1/4"	1 1/2"	2"
BW	15.8	21	26.6	35.1	41	52.5
SW	22	27.5	34.5	43	49	61.5
Ø	11	14	21	25	32	38
A	66	76	90	105	115	130
B	36	42	56	60	71	76
C	62	65	82	81	101	106
D	150	150	175	175	200	200
E	20.6	24.6	31.7	41.3	48.4	56.3
F	45	51	62	68	77	87
G	16	19	22	25	29	33
H	40	46	57	67	76	86
J UNF	3/8"	3/8"	7/16"	7/16"	9/16"	9/16"
K	9	12	14	14	16	16
L	5.5	5.5	7.5	7.5	9	9
M	27	32	38	35	41	46
N	1	1	1	2	2	2
Q	42	42	42	42	50	50
S	M6x45	M6x55	M8x65	M8x75	M10x90	M10x100
T	30	30	30	30	35	35
U	51	54	71	70	86	91
V	M5	M5	M5	M5	M6	M6
ISO TOP	F04	F04	F04	F04	F05	F05
kg	0.6	0.8	1.5	2.2	3	4