

FRS02 Filter Regulator



The FRS02 is a Filter Regulator dedicated for direct mounting for SRI990 / SRD991 / SRD960

FEATURES

- Gauges 3 Scales (Bar/psi/kPa)
- Casing in Aluminium
- Bowl with manual drain
- 1/4 NPT connection for in and output air
- Air flow at max deviation 18 Nm³/h
- Range of setting 0-8bar
- Max inlet pressure 10bar / 150psi
- Temperature Range -20°C to +60°C
- ATEX II 2 GD c IIC T6 certified.
- Filter: Sintered bronze, filter grade 30 µm

APPLICATION

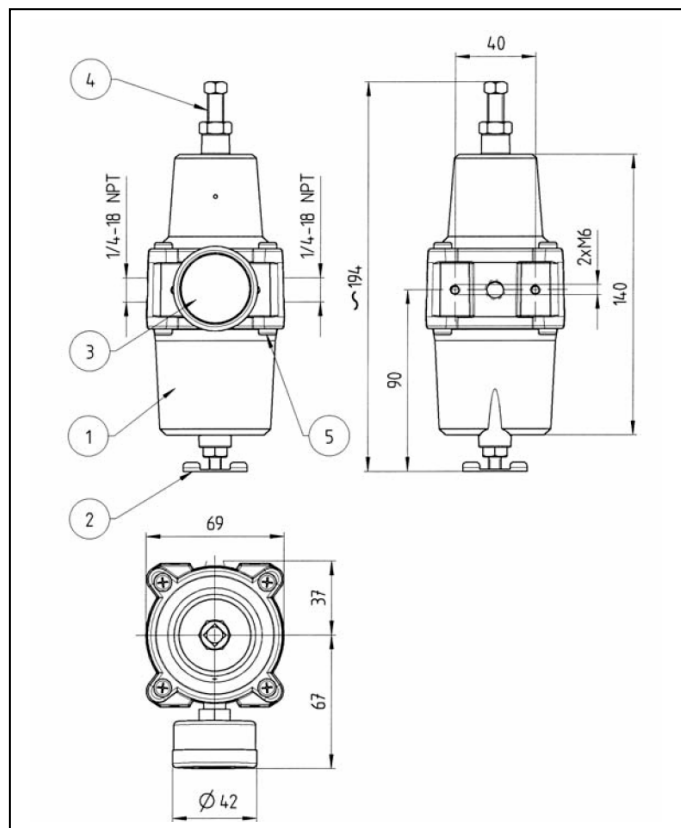
Specially dedicated for direct mounting onto SRI990 / SRD991 / SRD960 like in this picture



HOW TO ORDER

Order under FRS02

DIMENSION



FOXBORO ECKARDT GmbH
 Pragstrasse 82
 D-70376 Stuttgart
 Germany
 Tel. + 49(0)711 502-0
 Fax + 49(0)711 502-597

<http://www.foxboro-eckardt.com>

ECKARDT S.A.S.
 20 rue de la Marne
 F-68360 Soultz
 France

Tel. + 33 (0)3 89 62 15 30
 Fax + 33 (0)3 89 62 14 85

invensys

DOKT