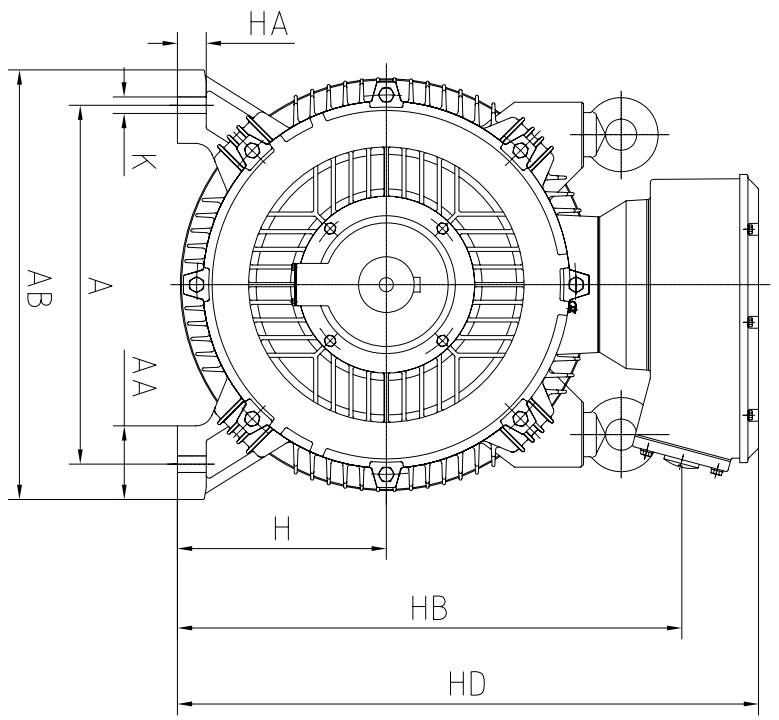
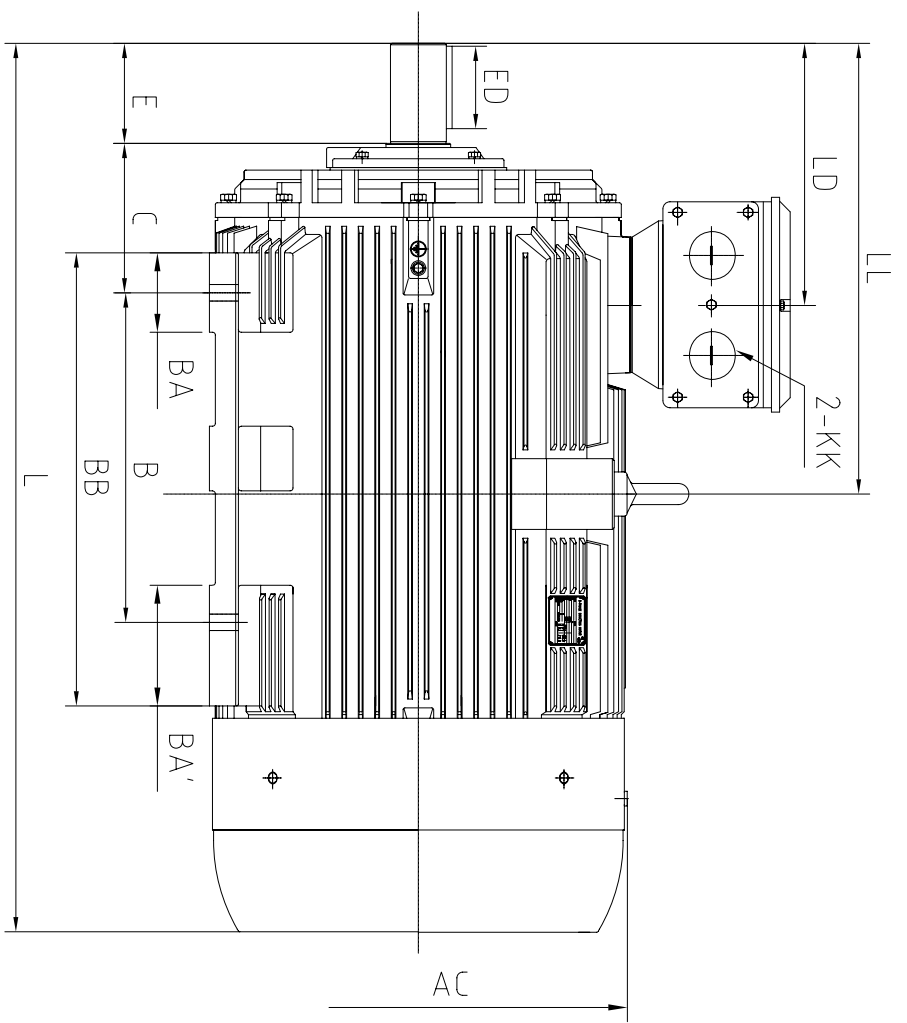


CLIENT:			
FRAME		KW	
VOLTS		RPM	



OUTLINE DIMENSIONS FOOT MOUNTED MOTORS

SHAFT EXT. DE ONLY

WEIGHT

A	610
AA	125
AB	735
AC	Φ735
B	560(355M) 630(355L)
BA	135
BA'	205
BB	775
C	254
H	355
HA	49
HB	872
HD	995
K	Φ28
KK	M63×1.5
L	1560
LD	485
LL	806
D	Φ100
DH	M24×50
E	210
ED	160
F	28
G	90

CUSTOMER APPROVAL

SIGNATURE

DATE

IL355 4-8P (B3)

(Φ100×210)

DIMENSION OUTLINE

IL355005

DATE	20010120	CHK	Ou Hudong
DRAWN	Ou Hudong	APPD	Zhang Weibin
ISSUE A	DATE	CERTIFIED BY	
ISSUE B	DATE	CERTIFIED BY	
ISSUE C	DATE	CERTIFIED BY	
ISSUE D	DATE	CERTIFIED BY	