

### INSTALLATION & OPERATION INFORMATION FOR MODELS G257XXX AND G457XXX

#### PRODUCT DATA

<b>Pump Design</b>	.....Air Operated Double Diaphragm
<b>Wetted Parts</b>	<b>Diaphragm Material</b> ..Santoprene® or Viton®
	<b>Check Valve Seat Material</b> ..Santoprene® or Viton®
	<b>Housing and check valve material</b>
	.....Polypropylene (Glass Reinforced)
	<b>Springs</b> .....Hastelloy
<b>Mounting Brackets and Manifolds</b>	.....Polypropylene
<b>Ports</b>	.....Gas Inlet/Outlet 1/4" (6.3 mm)
	Product Inlet/Outlet (Dual) - 1/2" NPT (12.7 mm)
	Product Inlet/Outlet (Quatro) - 3/4" NPT (19.1 mm)
<b>Net Weight</b>	Dual .....3.5 Pounds (1.59kg)
	Quatro .....7.0 Pounds (3.18kg)

® A registered trade mark of Monsanto Co.

® A registered trade mark of I.E. DuPont Co.

#### DESCRIPTION

FLOJET Industrial G-57 Series Pumps are designed for general commercial and industrial applications. These pumps are constructed from a selection of materials for handling a broad range of chemicals.

**Allowed fluids for Santoprene® materials**  
 Potable Water, Acids  
 Alkaline, Soaps  
 Alcohols, Ketones

**Not Allowed fluids for Santoprene® materials**  
 Oils, Solvents, Soaps with Solvents, D-Limonene, Aromatic Hydrocarbons

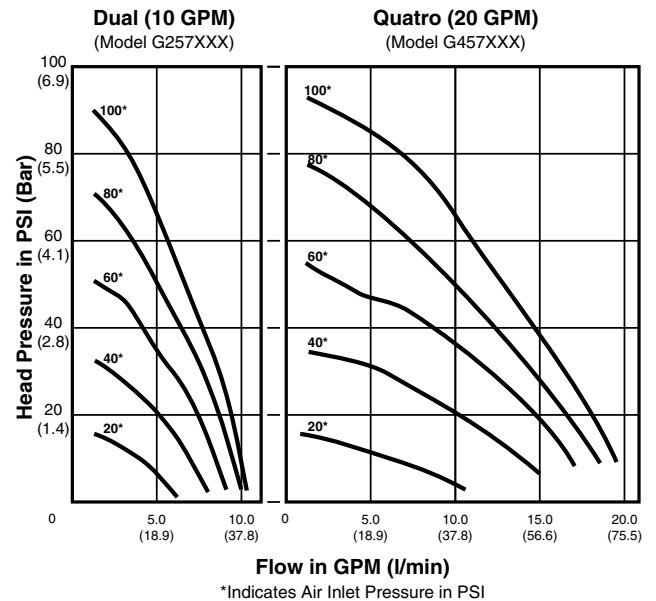
**Allowed fluids for Viton® materials**  
 Oils, Solvents, D-Limonene, Aromatic & Halogenated Hydrocarbons, Acids

**Not Allowed fluids for Viton® materials**  
 Ketones, Acetones, Automotive Brake Fluid, Ammonia, Ethanol

#### PERFORMANCE SPECIFICATIONS

##### PUMP

<b>Liquid Temperature</b> Min	.....40°F (4.4°C)
.....Max	.....120°F (48.9°C)
<b>Priming</b> .....Dry	.....15 ft. (4.5 m)
.....Wet	.....20 ft. (6.1 m)
<b>Flow Rates</b> .....Max	.....(Dual) Up to 10 GPM (37.8 L/min)
<b>Flow Rates</b> .....Max	.....(Quatro) Up to 20 GPM (75.6 L/min)
<b>Gas Supply Pressure</b>	.....20 to 100 PSI (1.4 to 6.9 bar)
<b>Noise Level</b> .....Max	.....90dB

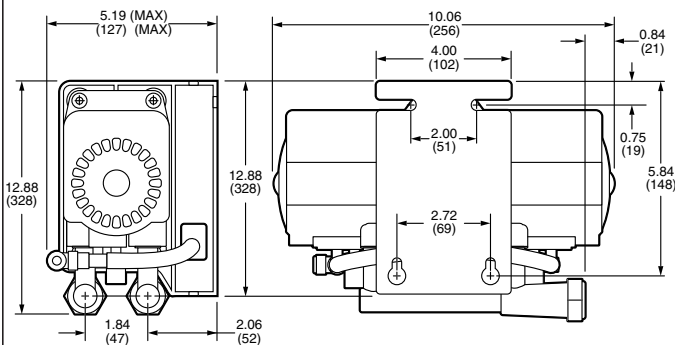


\*Indicates Air Inlet Pressure in PSI

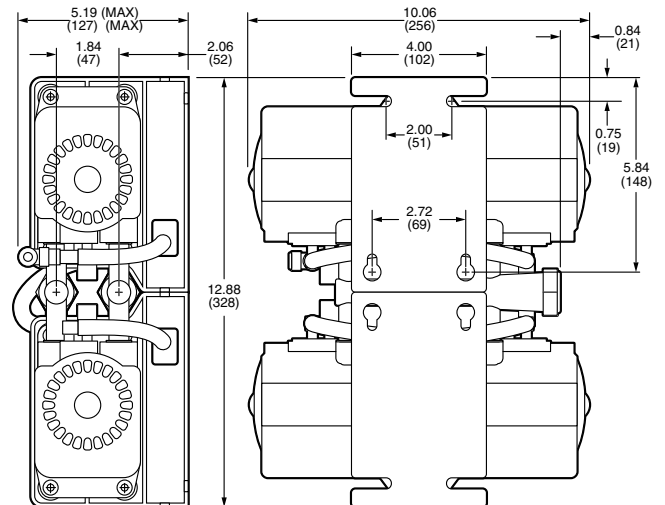
#### DIMENSIONAL DRAWING

Inches (millimeters)

Consult factory if precise details are required.



Dual Pump (Model G257xxx)

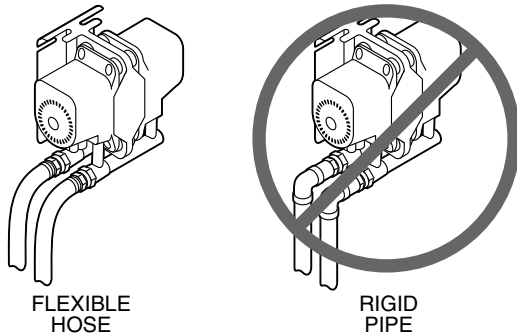


Quatro Pump (Model G457xxx)

## MOUNTING & PLUMBING

Flojet's 10 GPM Dual and 20 GPM Quatro pumps should be mounted in a dry and adequately ventilated area. Since these are self priming pumps they can be mounted several feet from the tank above or below the liquid level. These can be mounted either on the floor or on the wall. For most applications, mounting at no more than 4 feet above the liquid level. this is not a submersible pump.

Secure pump system to desired fixture by screws through the baseplate of the pump bracket.



Use flexible hoses to avoid excess stress on the pump ports. Do not crimp or kink hoses. All hoses should be the same size as the pump port fittings. Fittings must be compatible with liquid being pumped. Use plastic fittings. Avoid sharp bends that could restrict flow or cause hose to collapse under vacuum. Use reinforced hoses.

Make sure gas regulator is set at zero. Use reinforced 1/4" hose to connect to gas supply from regulator to the 'Gas In' port. The exhaust could be vented to atmosphere or through a muffler.

Use of check valves (especially with a cracking pressure > 2psi) could interfere with priming capability of the pumps. Use a minimum 40 mesh strainer before the pump inlet.

## OPERATION

At start-up, regulate gas pressure to desired setting. For most installations 20 PSI (1.4 bar) inlet will be adequate, although DO NOT go below 20 PSI. Pump will operate according to air supply. Flow and pressure can be adjusted by increasing or decreasing gas pressure to accommodate varying product viscosities, length of lines or other installation conditions. Review flow curves located on page 1 for further assistance. High viscosity fluids and hose length will limit priming distance. **IF PUMP IS TO BE USED IN HIGH FLOW, LOW PRESSURE APPLICATIONS, ADJUST GAS PRESSURE TO 20 PSI (1.38 BAR) ABOVE DISCHARGE PRESSURE.**

**CAUTION: DO NOT EXCEED 100 PSI (6.9 bar) GAS INLET PRESSURE.**

**CONTINUOUS OPERATION AT 120°F (48.9°C) WILL REDUCE PUMP LIFE.**

**AIR MUST BE DRY AND OIL FREE.**

Compressors must have dryers and/or a water separator in the air distribution system. Pumps that fail due to water in the air chamber will not be covered under the limited warranty.

## GENERAL SAFETY INFORMATION

Protect yourself and others by observing all safety information. Follow all safety codes and the Occupational Safety and Health Act (OSHA).



**WARNING**



**DO NOT PUMP GASOLINE OR FLAMMABLE LIQUIDS OR USE WHERE FLAMMABLE VAPORS ARE PRESENT.**

**If used with CO<sub>2</sub> or N<sub>2</sub> be sure the area is well ventilated.**

## CAUTION:

Do not clean or service FLOJET pumps, hoses or valves while the system is pressurized. Plastic CO<sub>2</sub> air inlet ports do not have a check valve. Prior to cleaning or servicing, purge the pump by carefully tilting the pump so ports are facing up and remove suction line from source. Turn air off and disconnect air inlet line. (Brass air inlet ports have a check valve)

## PREVENTIVE MAINTENANCE TIPS

Tips to help prolong your pump's life.

- If pumping liquid other than water. pump should be flushed with water (if applicable) after every use.
- Before freezing conditions occur. pump must be liquid free.
- If mounting pump in an outdoor environment. shield pump from environmental extremes (i.e. sunlight. water from washdown spray, rain, etc.).
- When using an air compressor. use an inline air dryer before the pump to limit water build-up.

## 10 GPM (DUAL) AND 20 GPM (QUATRO) DISASSEMBLY PROCEDURE

Remove the gas (AIR IN) lines and liquid suction and discharge lines from the Dual or Quatro pump systems. You can then disconnect the suction and discharge manifolds from the pumps. For the Dual pump systems this is accomplished simply by sliding the retainer clips on the pump and pulling the manifolds away from the pump. For Quatro pump systems you will have to take off the screws holding the pumps on any one side. That will create room for the pumps to be pulled away from the manifold after sliding the retainer clips on these pumps. The AIR IN fitting can also be disengaged from each of the pumps similarly by sliding the retainer clip. The muffler also can be removed by sliding its retainer clip.

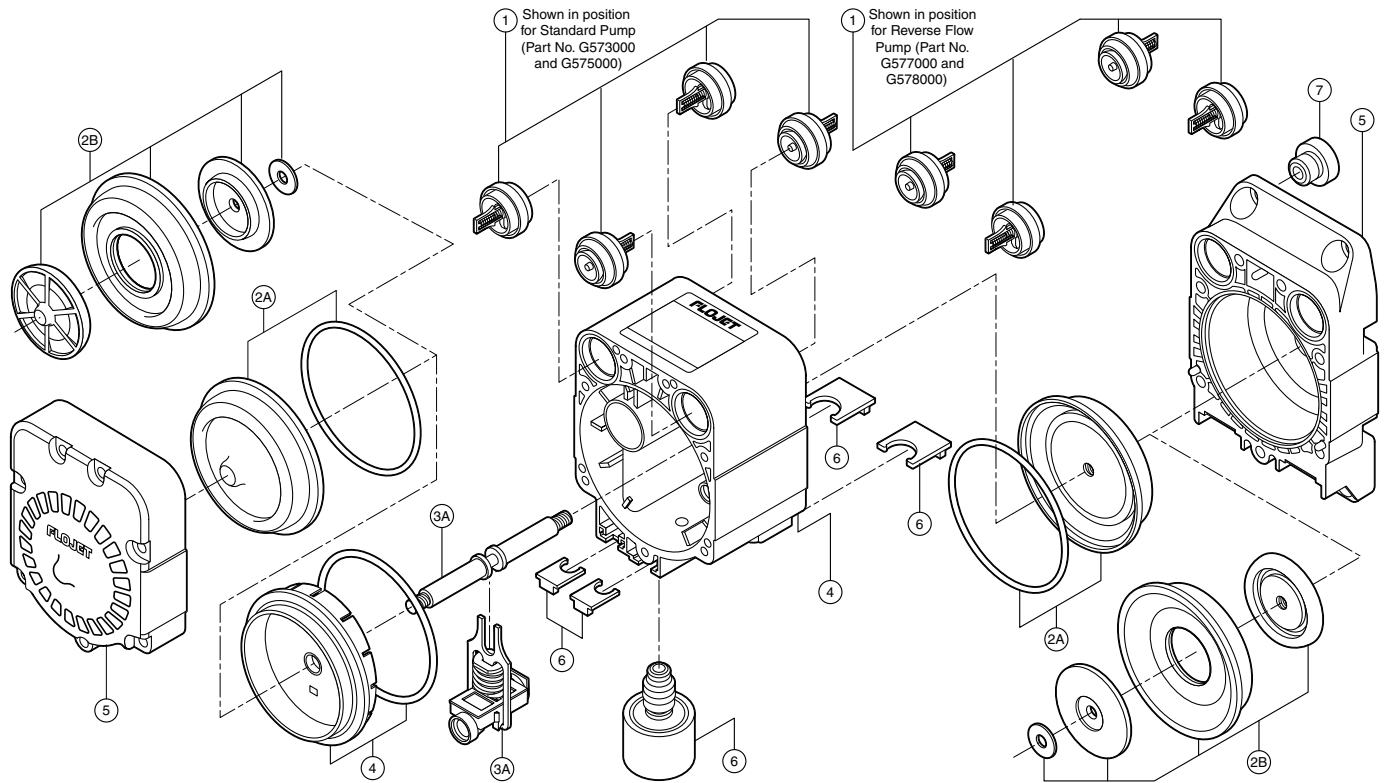
## ASSEMBLY PROCEDURE

In order to replace a pump you will then need to remove the screws holding the pump to the bracket. **PLEASE MAKE ABSOLUTELY SURE THAT YOU REPLACE A PUMP WITH ANOTHER PUMP WITH EXACTLY THE SAME PART NUMBER. EVEN THOUGH THE PUMPS LOOK SIMILAR ON THE OUTSIDE, THE INTERNAL PARTS ARE DIFFERENT.**

When putting the system back together you go in the reverse order by putting the pumps together first and the fittings in the end. You need to make sure that each fitting/manifold port has the O-ring in the groove and the retainer clip is pushed back in the lock position. Also make sure the pumps are securely fastened to the bracket. Ensure you have proper sealing on the fittings that are threaded into the ports. Then you may connect the gas/air in and liquid tubes.

If you want to repair the G-57 pumps, please refer to the instructions on page 3 of this manual .

## MODEL G57 SERIES EXPLODED VIEW



Key	Part No.	Description	Qty
1	20740-050A	Kit, Check Valve, Assy., Santo <sup>®</sup> , Hastelloy	4
	20740-020A	Kit, Check Valve, Assy., Viton <sup>®</sup> , Hastelloy	4
2A	20730-000A	Kit, Diaphragm, Santo <sup>®</sup> w/O-rings	2
2B	21000-209	Kit, Diaphragm, Viton <sup>®</sup>	2
3A	20751-000A	Kit, Shaft & Slide Valve Assy. (Santo <sup>®</sup> )	2
3B	20751-002A	Kit, Shaft & Slide Valve Assy. (Viton <sup>®</sup> )	2
4	20896-000A	Kit, Flange & Housing Assy. w/O-Ring	2
5	20753-000A	Kit End Caps	2

Key	Part No.	Description	Qty
6	20793-100A	Kit Hardware - Includes	
		Screws #10x1.5" Hi Low	14
		Retainer Clip Small	2
		Retainer Clip Large	2
		Exhaust Port	1
		Exhaust Muffler	1
7	20132-000	Kit, Grommets	4

### G57 UNIT DISASSEMBLY PROCEDURE

First, remove all gas (air in) lines and suction/discharge fittings from the pump. This is accomplished by using a flat-bladed screwdriver to slide the retaining clips away from the gas (air in) and suction/discharge fittings and pulling the fittings away from the pump body. Now remove the muffler by sliding the retaining clip away from the muffler base and pulling the muffler out of the pump body.

Using a Phillips screw driver remove the seven (7) screws from the front end cap followed by the (7) screws from the rear end cap. With the front end cap facing up and the rear end cap facing down on the workbench, position a flat bladed screw driver into the slot located above the muffler port and just below the pad marked Air/CO<sub>2</sub> and lift off the front end cap. The rear end cap can be removed by placing the flat bladed screwdriver under the fully opened port retaining clip and lifting off.

Note the position of the suction and discharge valves before removing them from the pump body. The first diaphragm is removed from the pump shaft by unscrewing in a counter clockwise direction. The second diaphragm is removed by placing the flat tip of a screwdriver the exposed slot at the end of the pump shaft and unscrewing the diaphragm from the shaft. To remove the flange housing, place the tip of the flat bladed screw driver into the air bleed hole on the lower side of the flange housing and lift up the lower end separating the flange housing from the pump body.

The slide valve assembly and pump shaft can be removed by simply pulling them from the pump body. The pump shaft then can be removed from the slide valve yoke assembly.

### G57 UNIT REASSEMBLE PROCEDURE

Assemble the slide valve and pump shaft with the yoke placed between the (2) bumpers on the pump shaft. Install the slide valve/pump shaft assembly into the pump body making sure the O-rings in the slide valve are in place. To install the flange housing, pre-lube the o-ring with Parker Super "O" Lube and install on flange housing and place housing over the pump body aligning the flange housing with the pump body ribs pressing it into place.

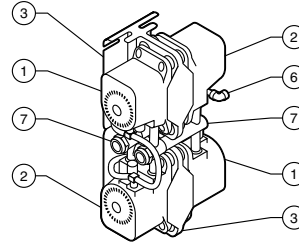
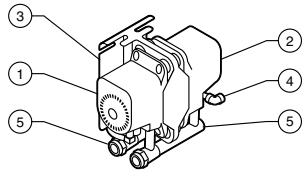
Install the first diaphragm and O-ring on to the pump shaft by threading on to shaft using a flat blade screwdriver to hold the pump shaft until the diaphragm is tight. Install the second diaphragm and O-ring on to the pump shaft turning clockwise until tight.

Install the suction valves with springs facing into the pump body and the discharge valves with the springs facing out. See arrows on pump rear end cap below suction and discharge ports.

Install the port retainer clips (large) into the pump end cap (mounting base) and install the seven (7) Phillips screws into pump body and cross tighten until snug and then cross torque to 22-24 inch pounds. Install port retaining clips (small) into the pump body, tabs facing out, position the front end cap and install the seven (7) Phillips screws into pump body and cross tighten until snug and then cross torque to 22-24 inch pounds.

Install the muffler in the center port by pushing it in and sliding the retainer clip into place. Install the suction and discharge ports and the (air in) port fitting and slide the retainer clips in place. Check for leaks.

## WASHDOWN PUMP SERVICE PARTS



KEY#	Pump System	Flojet Part No.	Description
1	2 & 4 Pump System	G575000A	Replacement Pump with Santoprene™, EPDM Elastomer
	2 & 4 Pump System	G573000A	Replacement Pump with Viton™ Elastomer
2	2 & 4 Pump System	G577000A	Replacement Pump with Santoprene™, EPDM Elastomer, Reverse Flow
	2 & 4 Pump System	G578000A	Replacement Pump with Viton™ Elastomer, Reverse Flow
3	2 & 4 Pump System	21000-324A	Kit, Bracket with Two Screws
4	2 Pump System	20574-015A	Kit, Gas Line Assembly, 2 Pump, 1/4" Barb
	2 Pump System	20574-013A	Kit, Gas Line Assembly, 2 Pump, for 1/4" Quick Connect
5	2 Pump System	21039-100A	Kit, Manifold, EPDM, 2 Pump
	2 Pump System	21039-101A	Kit, Manifold, Viton™, 2 Pump
6	4 Pump System	20574-016A	Kit, Gas Line Assembly, 4 Pump, 1/4" Barb
	4 Pump System	20574-014A	Kit, Gas Line Assembly, 4 Pump, for 1/4" Quick Connect
7	4 Pump System	21039-102A	Kit, Manifold, EPDM, 4 Pump
	4 Pump System	21039-103A	Kit, Manifold, Viton™, 4 Pump

## TROUBLESHOOTING CHART

Symptom	Possible Cause(s)	Corrective Action
Pump will not start (stalls)	<ol style="list-style-type: none"> <li>1. Inadequate air supply (20 PSI Min.)</li> <li>2. Contaminated air supply</li> <li>3. Ruptured diaphragm</li> </ol>	<ol style="list-style-type: none"> <li>1. Increase air inlet pressure</li> <li>2. An air dryer might be required</li> <li>3. Replace diaphragm</li> </ol>
Pump runs, but no fluid	<ol style="list-style-type: none"> <li>1. A leak or break in the product inlet line</li> <li>2. A leak or break in the product discharge line</li> </ol>	<ol style="list-style-type: none"> <li>1. Replace product line</li> <li>2. Replace product line</li> </ol>
Pump leaks through exhaust port	<ol style="list-style-type: none"> <li>1. Leak at upper exhaust manifold o-ring</li> <li>2. Shaft seal O-rings damaged or worn</li> <li>3. Inadequate slide lubrication</li> <li>4. Manifold port clip not correctly installed</li> </ol>	<ol style="list-style-type: none"> <li>1. Replace exhaust manifold</li> <li>2. Replace shaft seal O-rings</li> <li>3. Replace with shuttle valve kit</li> <li>4. Make sure clip is installed correctly and fully seated</li> </ol>
Flow rate is low	<ol style="list-style-type: none"> <li>1. Tubing or hose is damaged or blocked</li> <li>2. Check viscosity of medium being pumped</li> <li>3. Check valves not seated correctly</li> </ol>	<ol style="list-style-type: none"> <li>1. Clean or replace</li> <li>2. Reduce viscosity of medium, increase hose diameter or contact factory for recommendation</li> <li>3. Reinstall check valves</li> </ol>
Pump leaks	<ol style="list-style-type: none"> <li>1. Ruptured or worn out diaphragm</li> <li>2. Pump housing screws not torqued adequately</li> </ol>	<ol style="list-style-type: none"> <li>1. Replace diaphragm</li> <li>2. Torque screws to 20 in lb</li> </ol>

## WARRANTY

FLOJET warrants this product to be free of defects in material and/or workmanship for a period of one year after purchase by the customer from FLOJET. During this one year warranty period, FLOJET will at its option, at no charge to the customer, repair or replace this product if found defective, with a new or reconditioned product, but not to include costs of removal or installation. No product will be accepted for return without a return material authorization number. All return goods must be shipped with transportation charges prepaid. This is

only a summary of our Limited Warranty. For a copy of our complete warranty, please request Form No. 100-101.

## RETURN PROCEDURE

Prior to returning any product to FLOJET, call customer service for an authorization number. This number must be written on the outside of the shipping package. Place a note inside the package with an explanation regarding the reason for return as well as the authorization number. Include your name, address and phone number.

[www.xylemflowcontrol.com](http://www.xylemflowcontrol.com)

**FLOJET**  
a xylem brand

U.S.A. Flojet 666 E. Dyer Rd. Santa Ana, CA 92705 Phone: 949.608.3900 Fax: 949.608.3887	UNITED KINGDOM Flojet Bingley Road, Hoddesdon Hertfordshire EN11 0BU Tel: +44 (0) 1992 450145 Fax: +44 (0) 1992 467132	CANADA Fluid Products Canada 55 Royal Road Guelph, Ontario N1H 1T1 Tel: 519 821.1900 Fax: 519 821.2569
--	---	---

JAPAN NHK Jabsco Company Ltd. 3-21-10, Shin-Yokohama Kohoku-Ku, Yokohama, 222 Tel: 045.475.8906 Fax: 045.475.8908	GERMANY Jabsco GmbH Oststrasse 28 22840 Norderstedt Tel: +49-40-53 53 73 -0 Fax: +49-40-53 53 73 -11	ITALY Jabsco Marine Italia Via Tommaseo, 6 20059 Vimercate, Milano Tel: +39 039 685 2323 Fax: +39 039 666 307
--	---	--