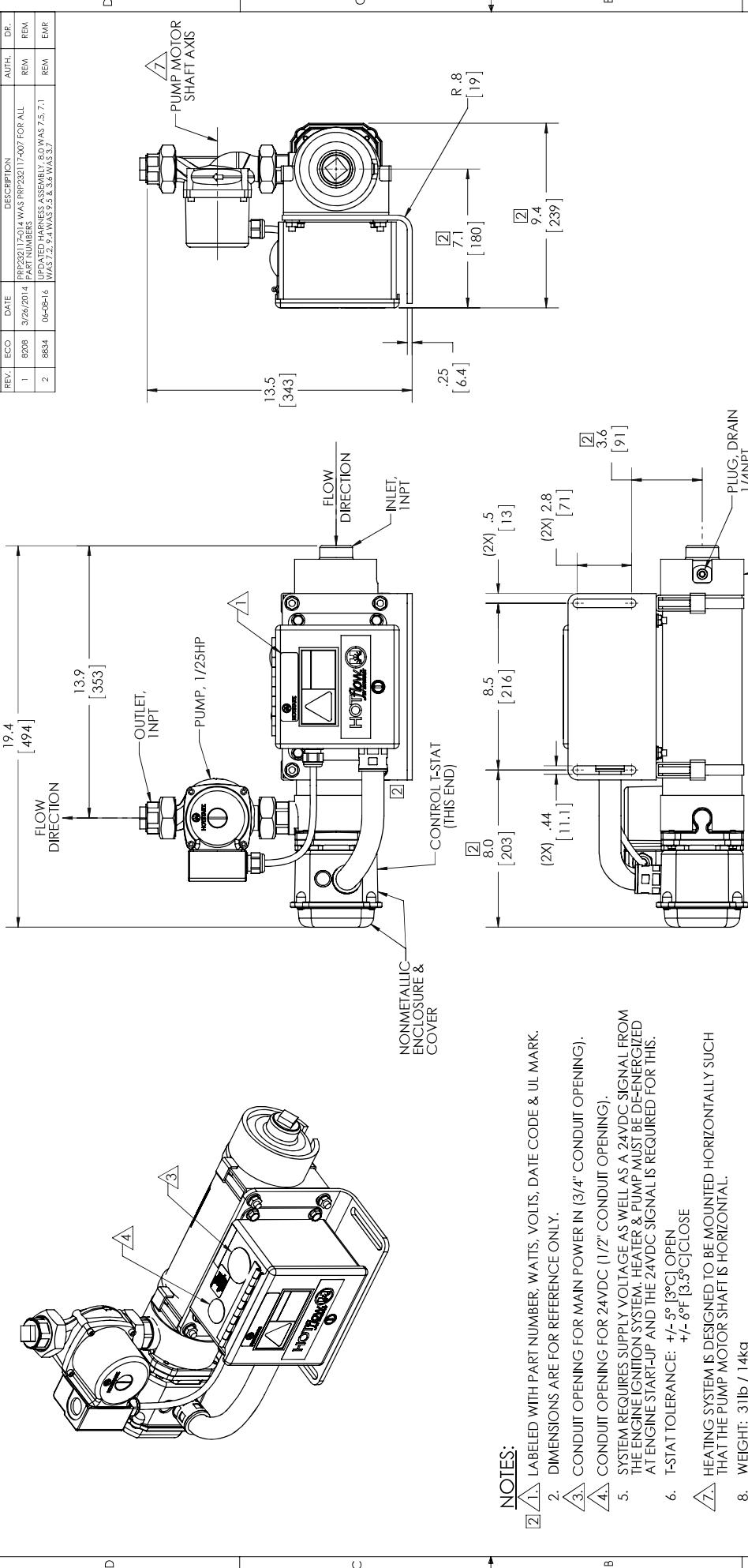


REVISIONS			
REV.	ECO	DATE	DESCRIPTION
1	8208	3/26/2014	PRP232117-014 WAS PRP232117-007 FOR ALL PART NUMBERS
2	8834	04-09-16	UPDATED HARNESS ASSEMBLY, 8.0 WAS 7.5, 7.1 WAS 7.2, 7.4 WAS 7.9 & 3.8 WAS 3.7

REV.	ECO	DATE	DESCRIPTION	AUTH.	DR.
1	8208	3/26/2014	PRP232117-014 WAS PRP232117-007 FOR ALL PART NUMBERS	REM	REM
2	8834	04-09-16	UPDATED HARNESS ASSEMBLY, 8.0 WAS 7.5, 7.1 WAS 7.2, 7.4 WAS 7.9 & 3.8 WAS 3.7	REM	EMR



NOTES:

1. LABELED WITH PART NUMBER, WATTS, VOLTS, DATE CODE & UL MARK. DIMENSIONS ARE FOR REFERENCE ONLY.
2. CONDUIT OPENING FOR MAIN POWER IN (3/4" CONDUIT OPENING).
3. CONDUIT OPENING FOR 24VDC (1/2" CONDUIT OPENING).
4. SYSTEM REQUIRES SUPPLY VOLTAGE AS WELL AS A 24VDC SIGNAL FROM THE ENGINE IGNITION SYSTEM. HEATER & PUMP MUST BE DE-ENERGIZED AT ENGINE START-UP AND THE 24VDC SIGNAL IS REQUIRED FOR THIS.
5. T-STAT TOLERANCE: +/- 5° [3°C] OPEN
+/- 6°F [3.3°C] CLOSE
6. HEATING SYSTEM IS DESIGNED TO BE MOUNTED HORIZONTALLY SUCH THAT THE PUMP MOTOR SHAFT IS HORIZONTAL.
7. WEIGHT: 31lb / 14kg

PART NUMBER	DESCRIPTION	VOLTS (V)	WATTS (W)	AMPS (A)	ON (°F [°C])	OFF (°F [°C])	T-STAT
CSM10308-5A0	CSM 208V 60Hz 1P 3kW 100-130F	208	3000	14.4	100 [38]	130 [54]	
CSM10308-5B0	CSM 208V 60Hz 1P 3kW 120-150F	208	3000	14.4	120 [49]	150 [66]	
CSM10608-5A0	CSM 208V 60Hz 1P 6kW 100-130F	208	6000	14.4	100 [38]	130 [54]	
CSM10908-5A0	CSM 208V 60Hz 1P 9kW 100-130F	208	9000	43.3	100 [38]	130 [54]	
CSM10908-5B0	CSM 208V 60Hz 1P 9kW 120-150F	208	9000	43.3	120 [49]	150 [66]	
CSM10908-5A0	CSM 220V 60Hz 1P 9kW 100-130F	220	9000	41	100 [38]	130 [54]	
CSM10302-5A0	CSM 240V 60Hz 1P 3kW 100-130F	240	3000	12.5	100 [38]	130 [54]	
CSM10302-5B0	CSM 240V 60Hz 1P 3kW 120-150F	240	3000	12.5	120 [49]	150 [66]	
CSM10602-5A0	CSM 240V 60Hz 1P 6kW 100-130F	240	6000	25	100 [38]	130 [54]	
CSM10902-5A0	CSM 240V 60Hz 1P 9kW 100-130F	240	9000	37.5	100 [38]	130 [54]	

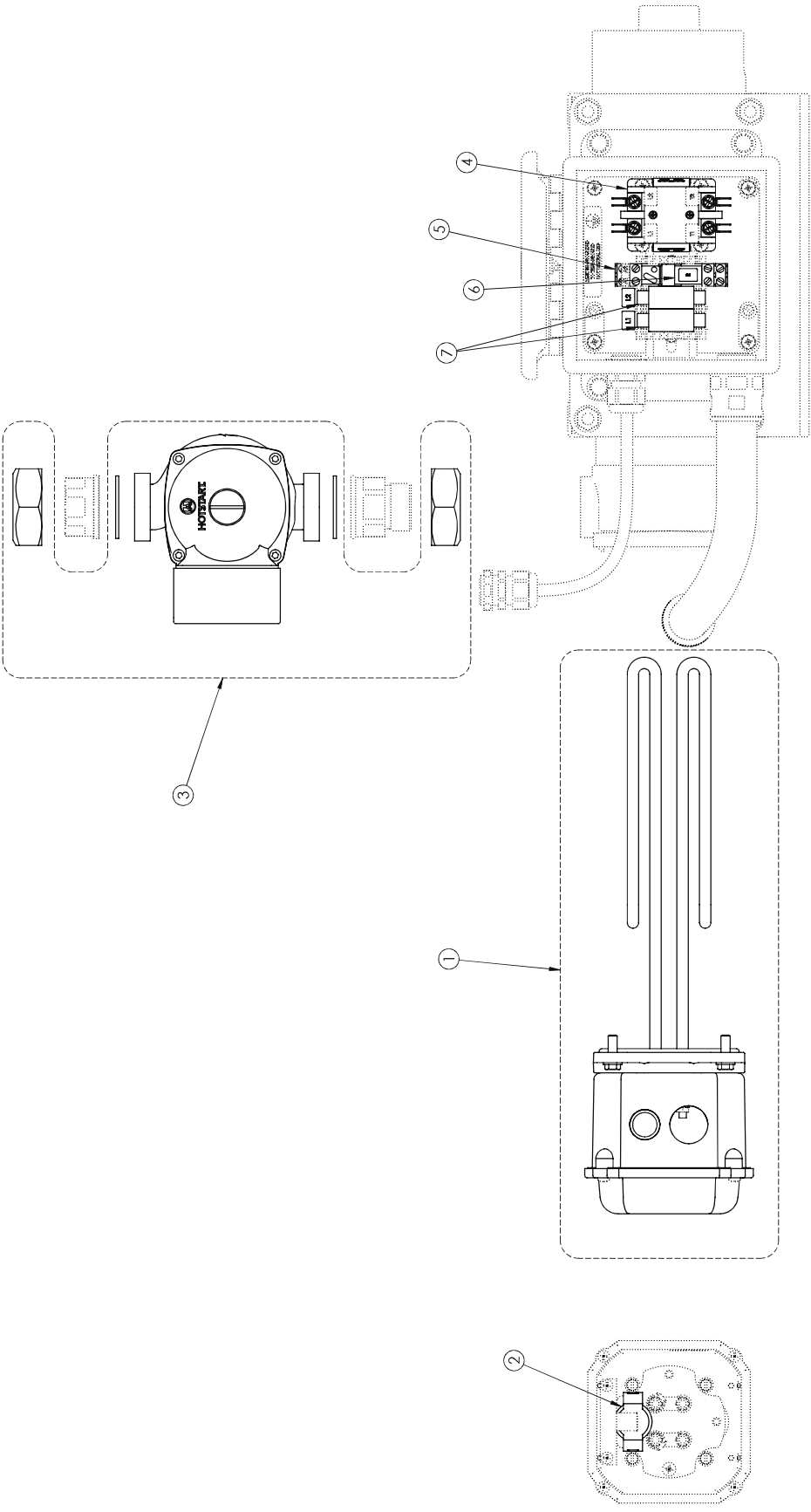
HOTSTART
 PROPRIETARY INFORMATION
 one or more of the information shown on this drawing is the property of Hotstart, Inc. or its subsidiaries and shall be held in confidence without being divulged to others without the express written consent of Hotstart, Inc.

HOTSTART, INC. SPOKANE, WA.

FILE: CSM 60Hz 1P COOLANT SYSTEM
 DWG. NO. A-6606-3S

APPROVALS: DATE: INSEER CHANGES SPECIFIED: DIMENSIONS ARE IN INCHES (mm)
 TOLERANCES: XX: N/A ANGULAR: N/A
 DRAWN BY: CSO 08-07-13
 APPROVED BY: BBD 08-07-13
 THIRD ANGLE PROJECTION: 1st Angle
 SCALE: 1 OF 5
 SHEET: CO8042
 REV: 02

1 2 3 4 5 6 7 8



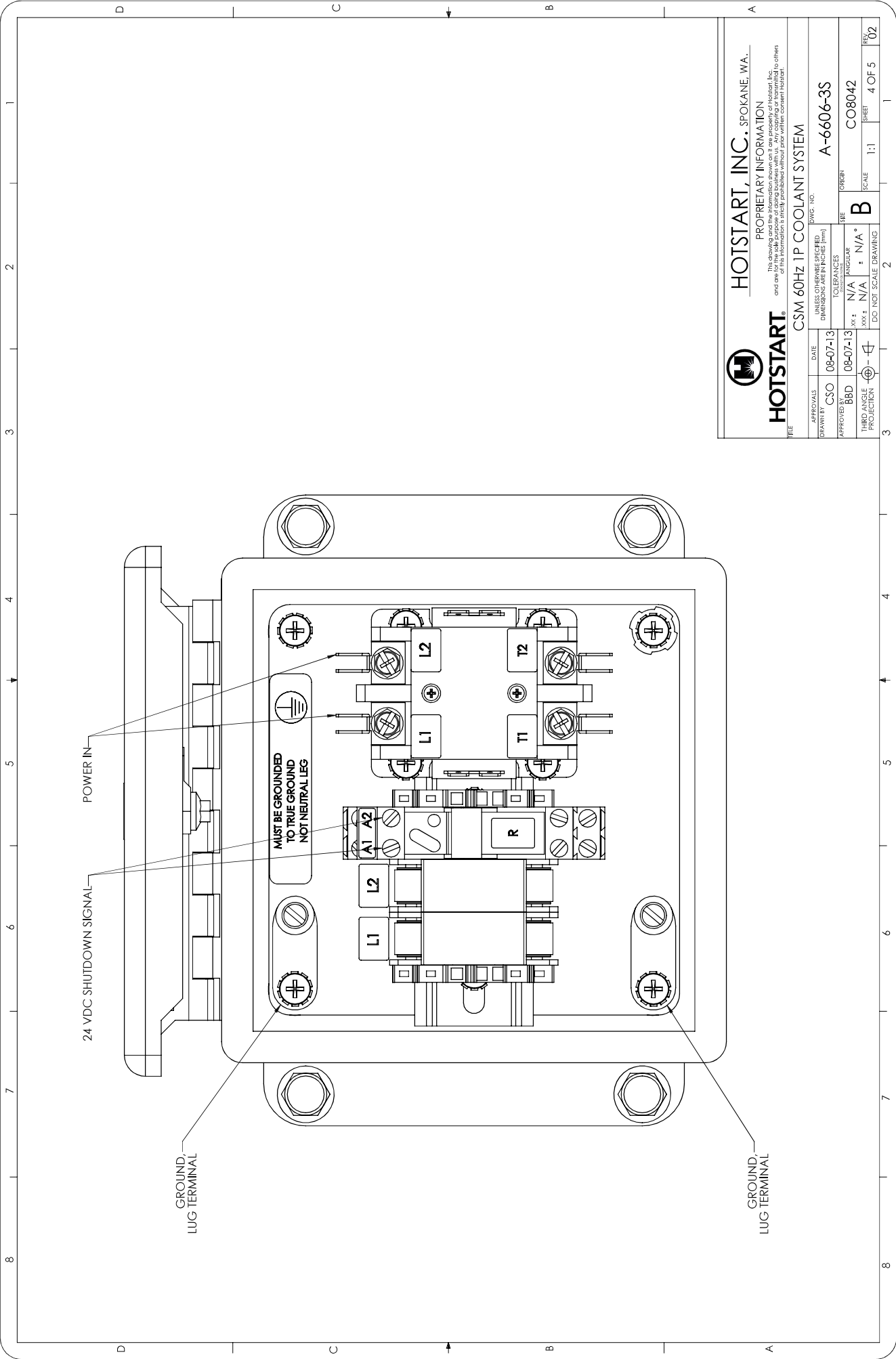
HOTSTART, INC. SPOKANE, WA.
HOTSTART. PROPRIETARY INFORMATION
This drawing and the information shown on it are property of Hotstart, Inc. and are not to be reproduced, stored in a retrieval system, or transmitted in any form or by any means, electronic, mechanical, photocopying, recording, or otherwise, without prior written permission from Hotstart, Inc.

CSM 60Hz 1P COOLANT SYSTEM

APPROVALS	DATE	ISSUE CHANGES DESCRIBED	DWG. NO.
CSO	08-07-13		
BDD	08-07-13		
PROJECTION			
		TOLERANCES	
		XXX ± N/A	
		XX ± N/A	
		ANGULAR ± N/A °	
		SCALE	B
		ORIGIN	
		SHEET	13
		REV.	02

REPLACEMENT PARTS LIST		SYSTEM PART NUMBER						
ITEM	DESCRIPTION	CSM10308-5A0 RECSM10308	CSM10308-5B0 RECSM10308	CSM10608-5A0 RECSM10608	CSM10908-5A0 RECSM10908	CSM10908-5B0 RECSM10908	CSM10908-5B0 RECSM10908	
1	REPL. ELEM. ASM	RSU1013	RSU1215	RSU1013	RSU1013	RSU1013	RSU1215	
2	THERMOSTAT	PRP228052-014	PRP228052-014	PRP228052-014	PRP228052-014	PRP228052-014	PRP228052-014	
3	REPL. PUMP	PRP232117-014	PRP232117-014	PRP232117-014	PRP232117-014	PRP232117-014	PRP232117-014	
4	CONTACTOR	PRP231149-100	PRP231149-100	PRP231149-100	PRP231149-100	PRP231149-100	PRP231149-100	
5	RELAY	PRP231148-100	PRP231148-100	PRP231148-100	PRP231148-100	PRP231148-100	PRP231148-100	
6	SOCKET, RELAY	PRP231026-002	PRP231026-002	PRP231026-002	PRP231026-002	PRP231026-002	PRP231026-002	
7	FUSE (250V, 2A)	PRP231026-002	PRP231026-002	PRP231026-002	PRP231026-002	PRP231026-002	PRP231026-002	

8 7 6 5 4 3 2 1

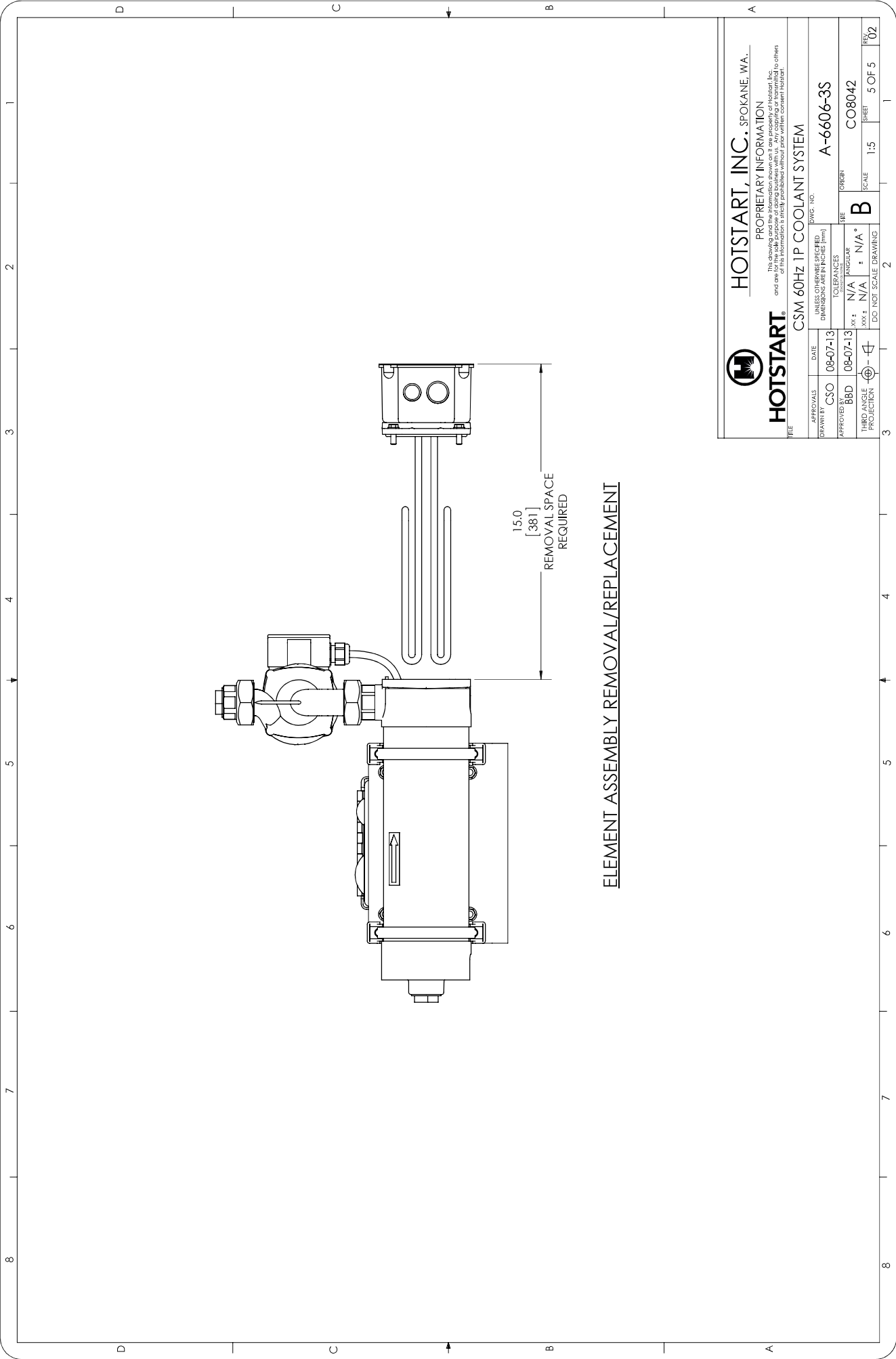


HOTSTART, INC. SPOKANE, WA.

HOTSTART
 PROPRIETARY INFORMATION
 This drawing and the information shown on it are property of Hotstart, Inc. and are not to be reproduced, stored in a retrieval system, or transmitted in any form or by any means, electronic, mechanical, photocopying, recording, or otherwise, without the prior written permission of Hotstart, Inc.


APPROVALS		DATE	DWG. NO.
CSO	08-07-13		A-6606-3S
DRAWN BY		UNLESS OTHERWISE SPECIFIED, DIMENSIONS ARE IN INCHES (mm)	ORIGIN
BBD	08-07-13	TOLERANCES	B
APPROVED BY		XXX ± N/A	SCALE
THIRD ANGLE PROJECTION		ANGULAR ± N/A °	1:1
		DC NOT SCALE DRAWING	SHEET 4 OF 5
			REV. 02

TITLE
CSM 60HZ 1P COOLANT SYSTEM



15.0
[381]
REMOVAL SPACE
REQUIRED

ELEMENT ASSEMBLY REMOVAL/REPLACEMENT

 HOTSTART, INC. SPOKANE, WA. PROPRIETARY INFORMATION <small>This drawing and the information shown on it are property of Hotstart, Inc. and are to be used only for the specific application for which they were prepared. No other use, reproduction, or distribution of this information is permitted without the written consent of Hotstart, Inc.</small>		CSM 60Hz 1P COOLANT SYSTEM DWG. NO.	
APPROVALS	DATE	UNLESS OTHERWISE SPECIFIED, DIMENSIONS ARE IN INCHES (mm)	DWG. NO.
CSO	08-07-13	TOLERANCES	A-6606-3S
BDD	08-07-13	XXX ± N/A	ORIGIN
THIRD ANGLE PROJECTION	⊕	XX ± N/A	SCALE
		ANGULAR ± N/A °	1:5
		DC NOT SCALE DRAWING	SHEET
			5 OF 5
			REV. 02