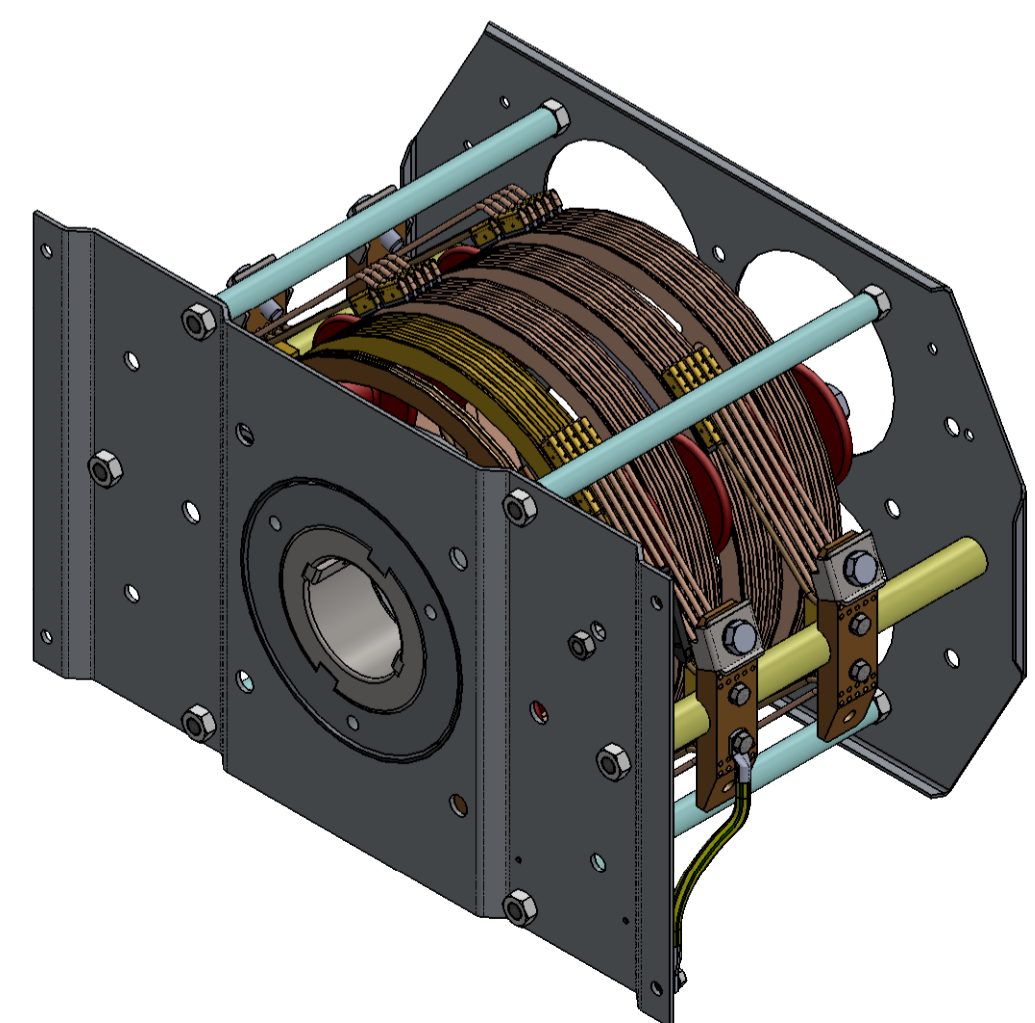
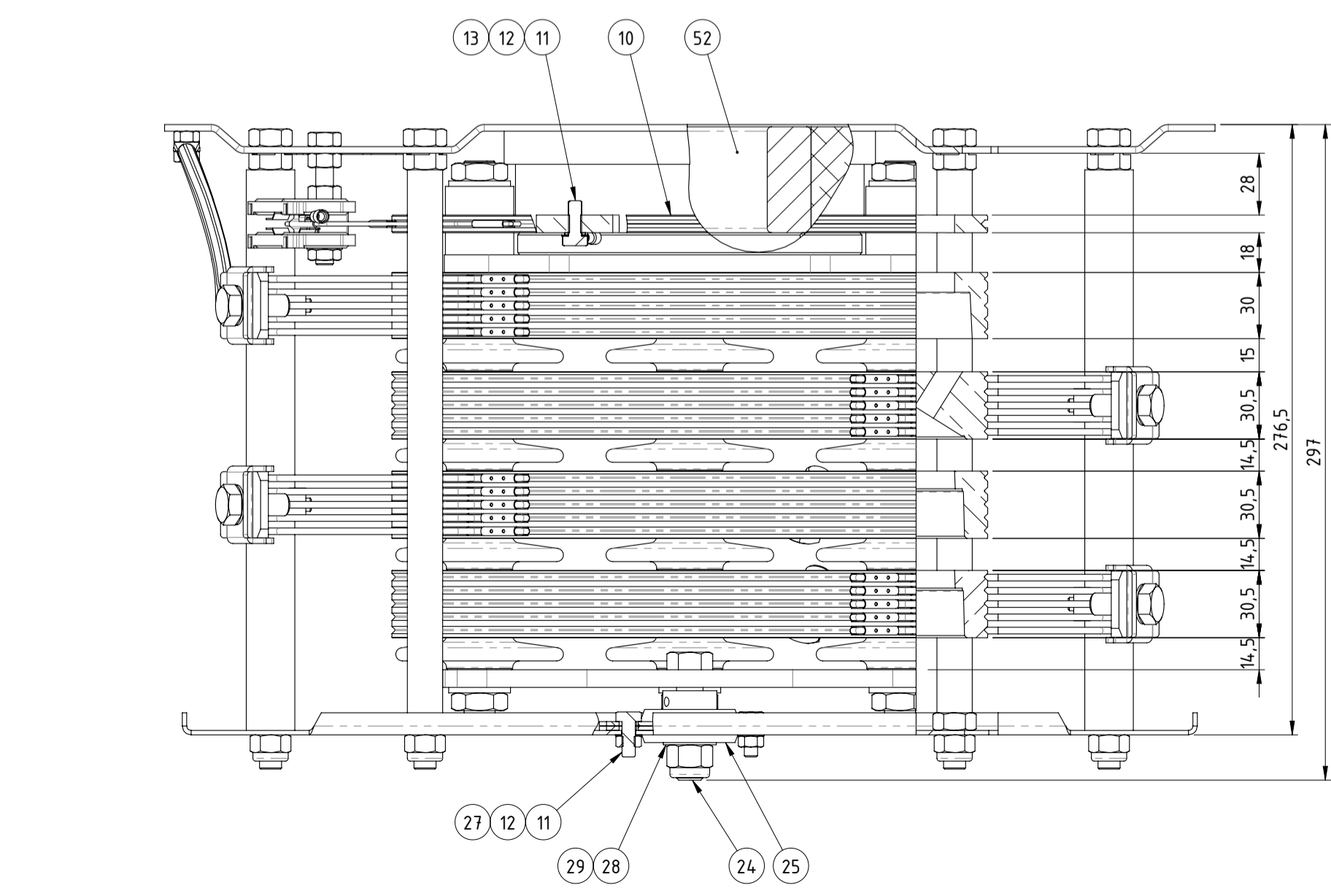
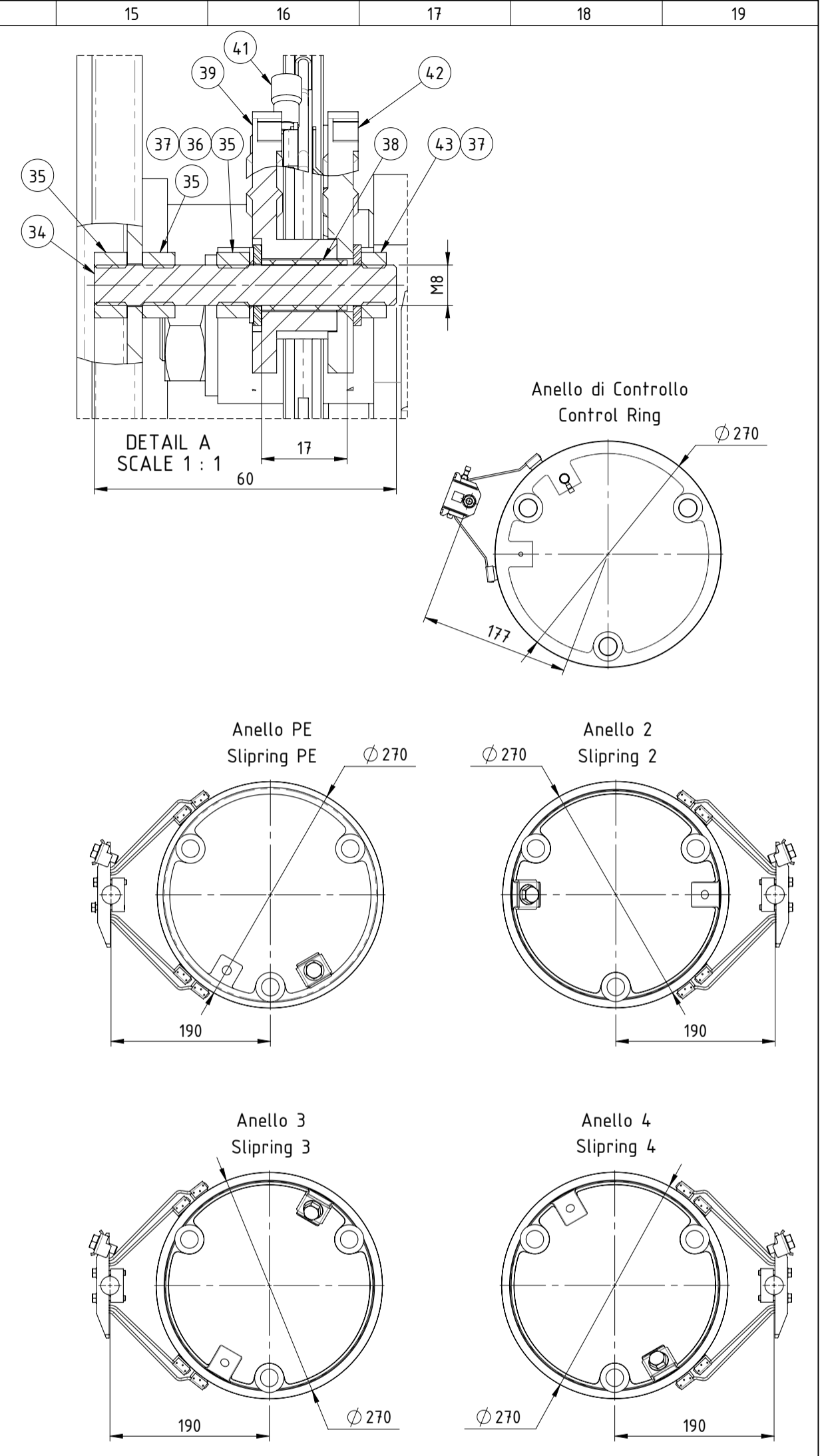
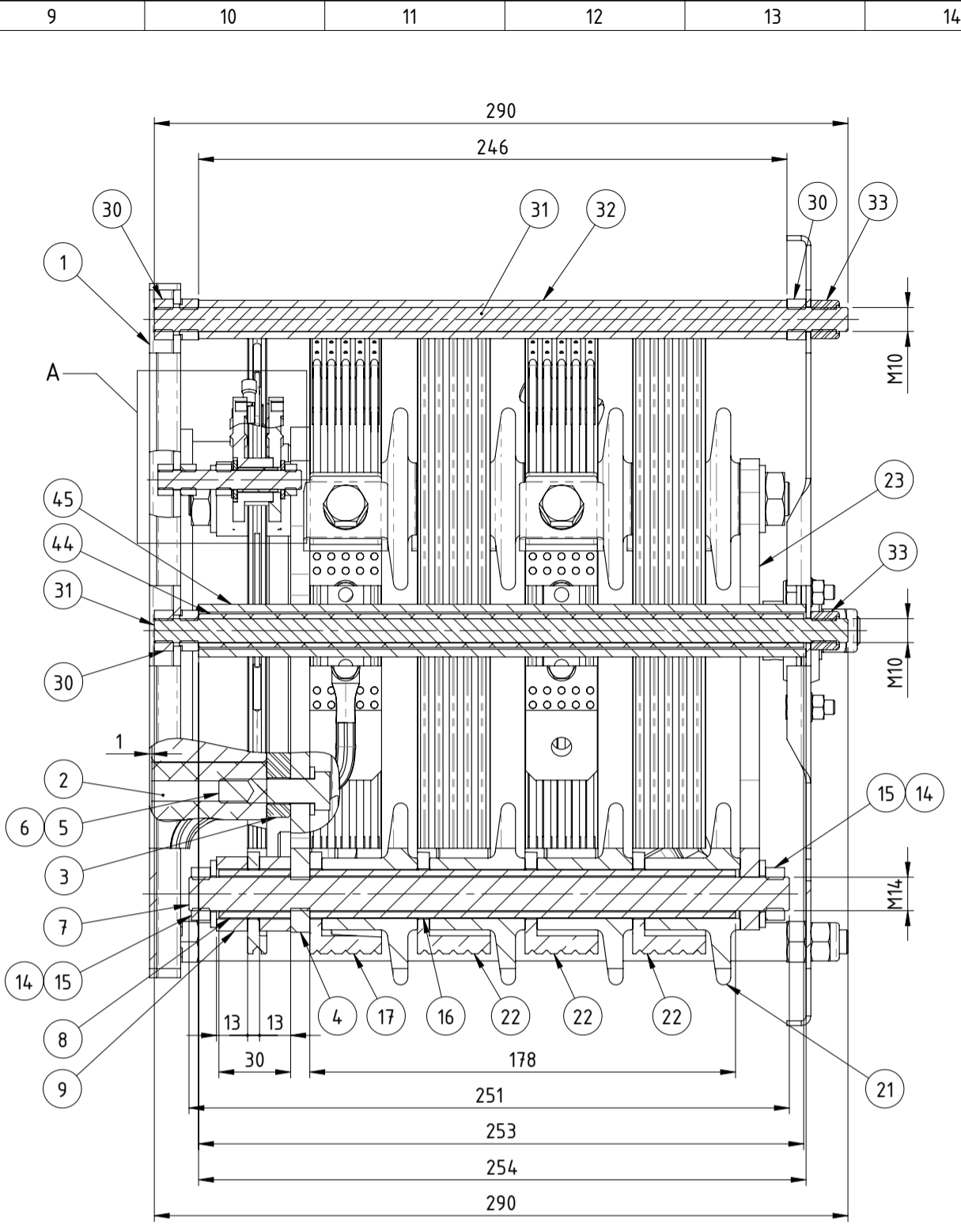
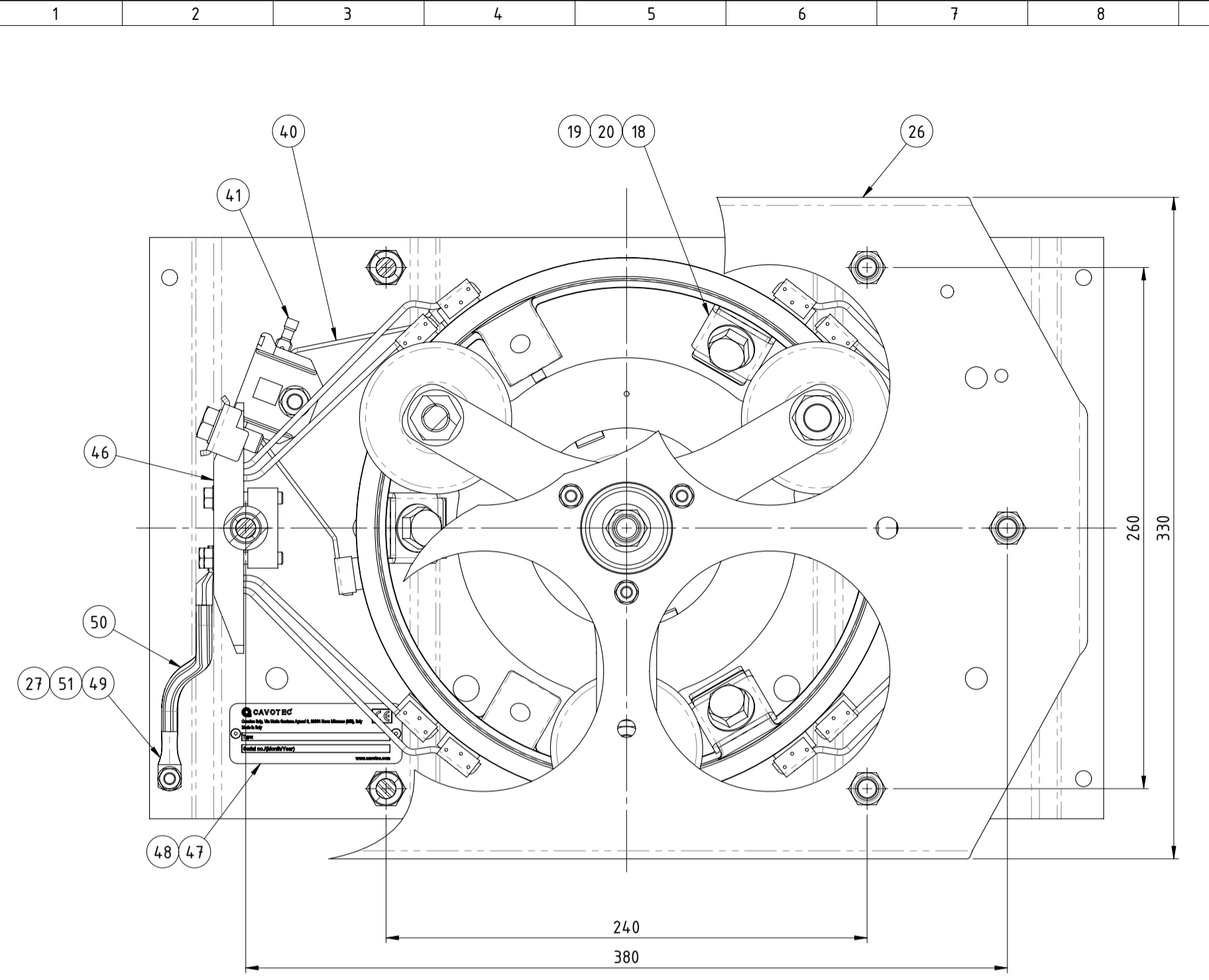


Date Printed: 13 gen 23  
Any changes to this drawing must be authorised by an ECO and made on CAD.



G	Imported in EPDM	DS	13 gen 23	
REV	DESCRIPTION	DRAWN BY	DATE	REF. ECO

**CAVOTEC**  
Cavotec Italy - Nova Milanese (MB) Italy  
www.cavotec.com

This drawing and the rights and privileges in this drawing are the property of Cavotec. This drawing or any part thereof must not be copied, reproduced or communicated to any person, or otherwise used beyond the purposes for which it is provided, without written permission of Cavotec.

DRAWING NUMBER:	AC-089	REVISION:	G
PART NUMBER:	S22-00460-110	APPROVED:	GDS
MATERIAL:	Rings pack F460/1 - 1KV		
FINISH SEE	INFO:	MASS (kg):	29.4
DIMENSIONS IN mm UNLESS OTHERWISE STATED	TOLERANCING: ISO 2768-mK	SCALE: 1:2.5	SHEET SIZE: A2 SHEET: 1 OF 1