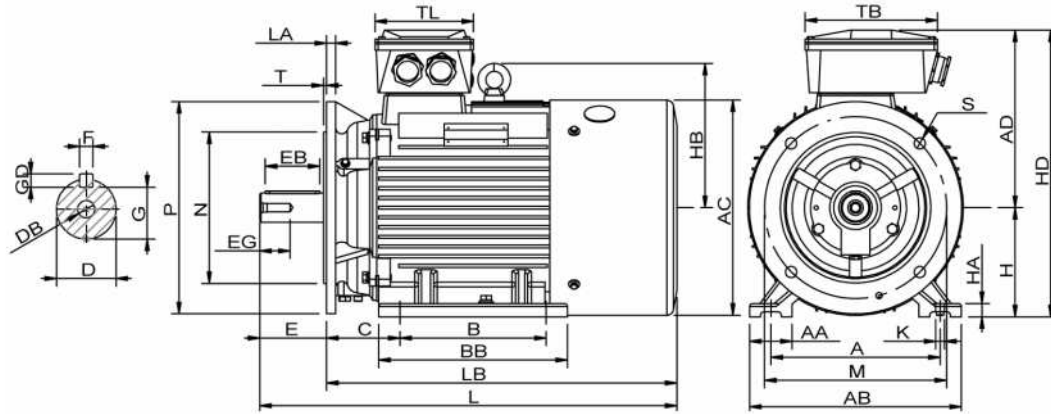


Data Sheet

Itemnumber..... 3241601409



A = 254	AC = 313	BB = 304	DB = M16	EG = 36	GD = 8	HB = 222	L = 652	M = 300	S = 4-Ø18.5	TL = 162
AA = 65	AD = 277	C = 108	E = 110	F = 12	H = 160	HD = 437	LA = 15	N = 250	T = 5	
AB = 314	B = 254	D = 42	EB = 90	G = 37	HA = 20	K = 14,50	LB = 542	P = 350	TB = 218	

Version	Mechanical design	Bearing
Type.....: HMC2 160L-4	Frame size.....: 160	DE Bearing.....: 6309-ZZ/C3
Design.....: Induction motor	Mounting.....: B35	NDE Bearing.....: 6309-ZZ/C3
Standard series.....: IEC 60034	Rain cap.....: No	Fixed bearing.....: DE
Phase / Voltage range.....: 3~ / Low	Protection class.....: IP55	
	Cooling method.....: IC411/TEFC	Terminal box
Electrical design	External grounding.....: Yes	Tbox position.....: Top
Efficiency.....: IE2	Drain hole.....: Yes	Cable entry direction.....: Right (from DE)
Pole.....: 4	Frame material.....: Cast Iron	Cable entry
Power at 50 Hz (kW).....: 15,0	Material approval.....: None	Main.....: 2 x M40x1,5
Hz.....: 60 (60 Hz output)	Shaft.....: IEC Standard	Ø22-32mm metal
Voltage.....: 440VD 60 Hz	Key.....: Closed key	Accessory.....: 2 x M20x1,5
Winding voltage.....: 400VD/690VY 50 Hz	Balancing.....: Half key balancing	Metal blindcaps
Power output (kW).....: 17,4	Vibration class.....: Grade-A	Connection type.....: Delta (D)
Duty.....: S1	Weight (kg).....: 140	Terminal board thread.....: 6-M6
Insulation class.....: F		
Temperature rise.....: B		

Environment condition	Test values
Ambient temp. min. (°C).....: -20	Rotor inertia (kgm²).....: 0,13
Ambient temp. max. (°C).....: 45	Noise level (dB(A)).....: 63
Altitude (mtr up to).....: 1000	No load current (A).....: 10,4
	Winding resist. (ohm).....: 0,43
	Starting time (sec.).....: 0,07
	Temp. rise winding (K).....: 65
	Temp. rise surface (K).....: 46

Motor protection
 Thermal protection main.....: PTC 3x 155 dgr
 Thermal protection second.: None
 Space heater.....: 1x 230V
 Temperature detector.....: No
 SPM.....: No
 IR wire.....: No
 Tropical insulation.....: Yes

Explosion protection
 According to.....: None

General
 Direction of rotation.....: CW
 Painting.....: RAL 9005 Gloss 10
 Nameplate.....: Multivoltage + VFD
 Special packing.....: No
 Special requirements.....: No

Rated power (kW)	15,0	14,6	18,0	17,4
Frequency (Hz)	50	50	60	60
Voltage (V)	400 690	380 660	480 830	440
Connection	D Y	D Y	D Y	D
Full load current (A)	27,5 15,8	28,0 16,2	27,5 15,8	28,5
Speed (rpm)	1470	1470	1740	1740
Power factor cos(phi)	0,88	0,89	0,88	0,90
Efficiency, 100/75/50 (%)	90,3/90,7/89,5	90,3/90,7/89,5	90,3/90,7/89,5	89,6/90,0/88,7
Ist/In	7,8	6,9	7,8	7,2
Full load torque (Nm)	98,0	95,0	98,0	95,0
Tst/Tn	3	2,8	3	2,6
Tmax /Tn	3,4	3,2	3,4	2,9
Duty	S1	S1	S1	S1
Ambient temp. (°C)	40	45	40	45

Data are not binding. Hoyer reserves the right to implement changes without notice. The extent of data are not equivalent to nameplate on the motors.