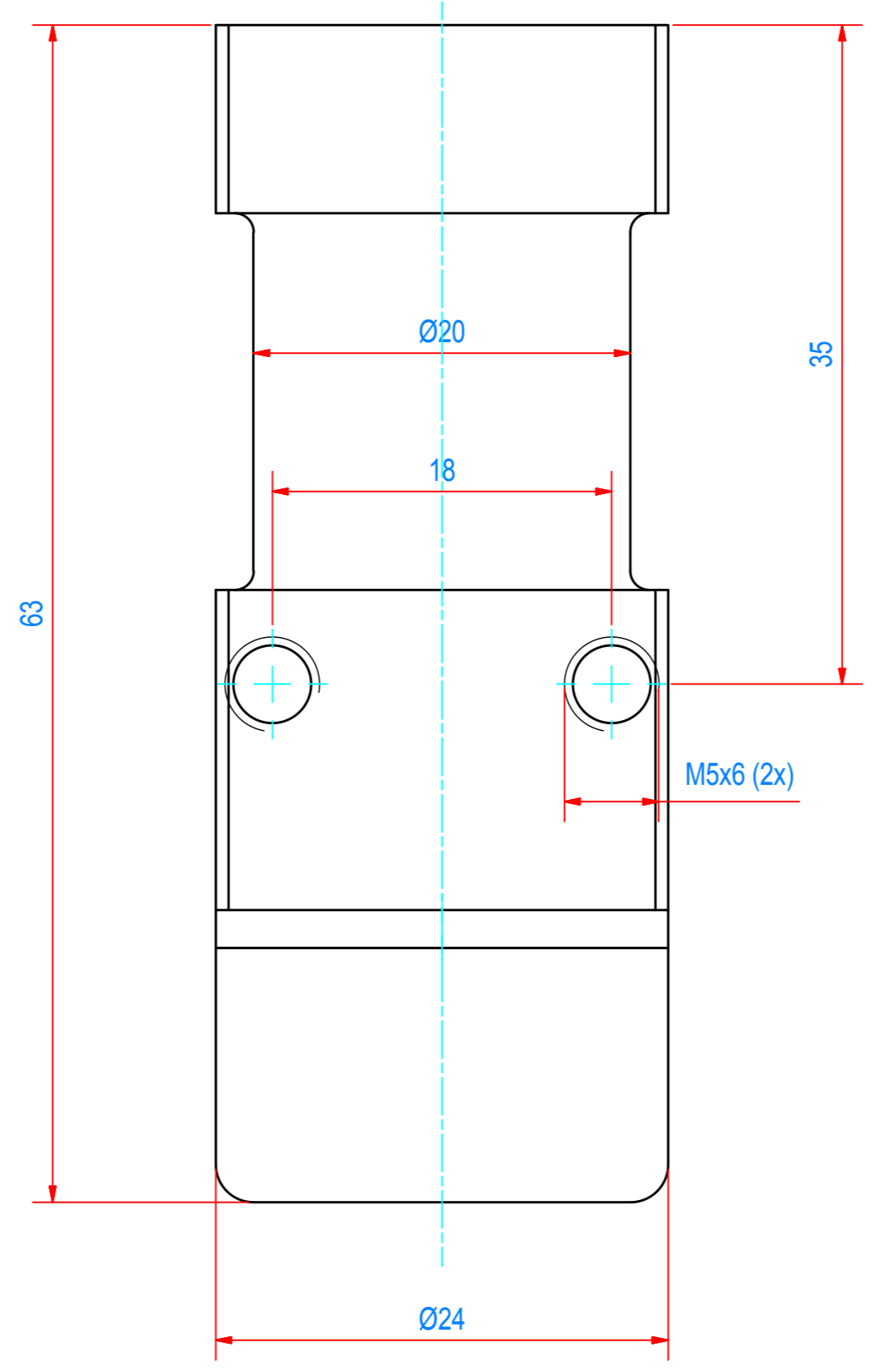
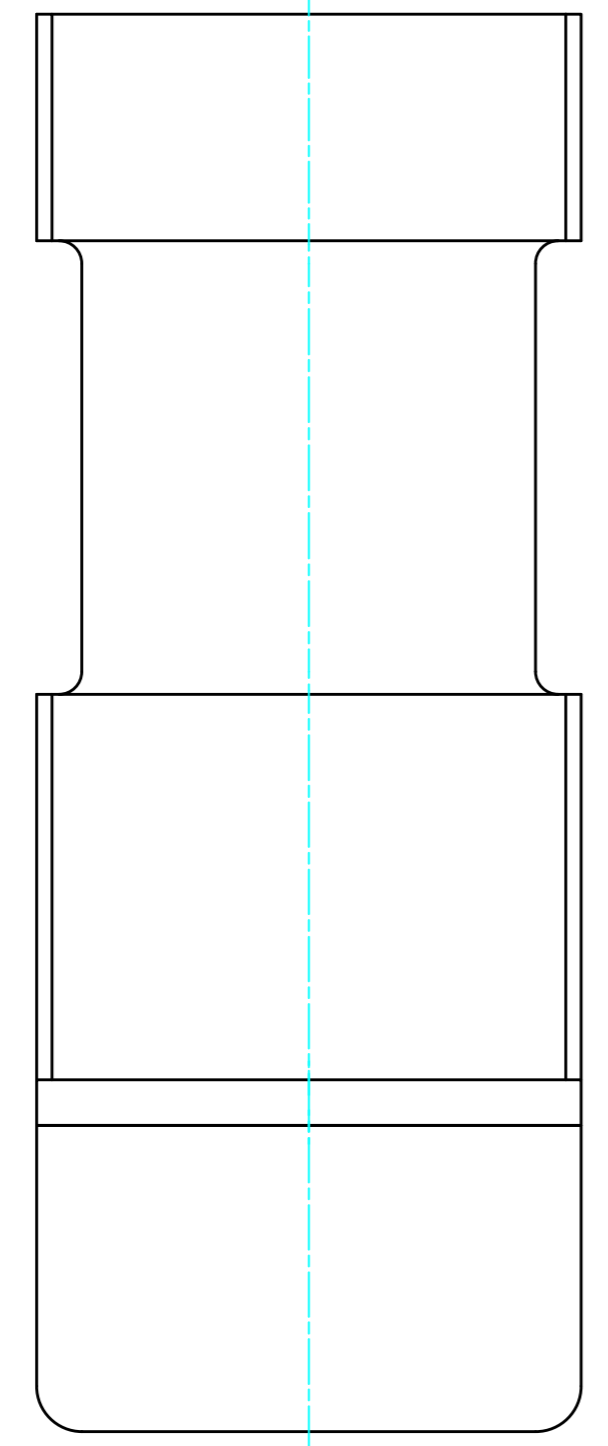
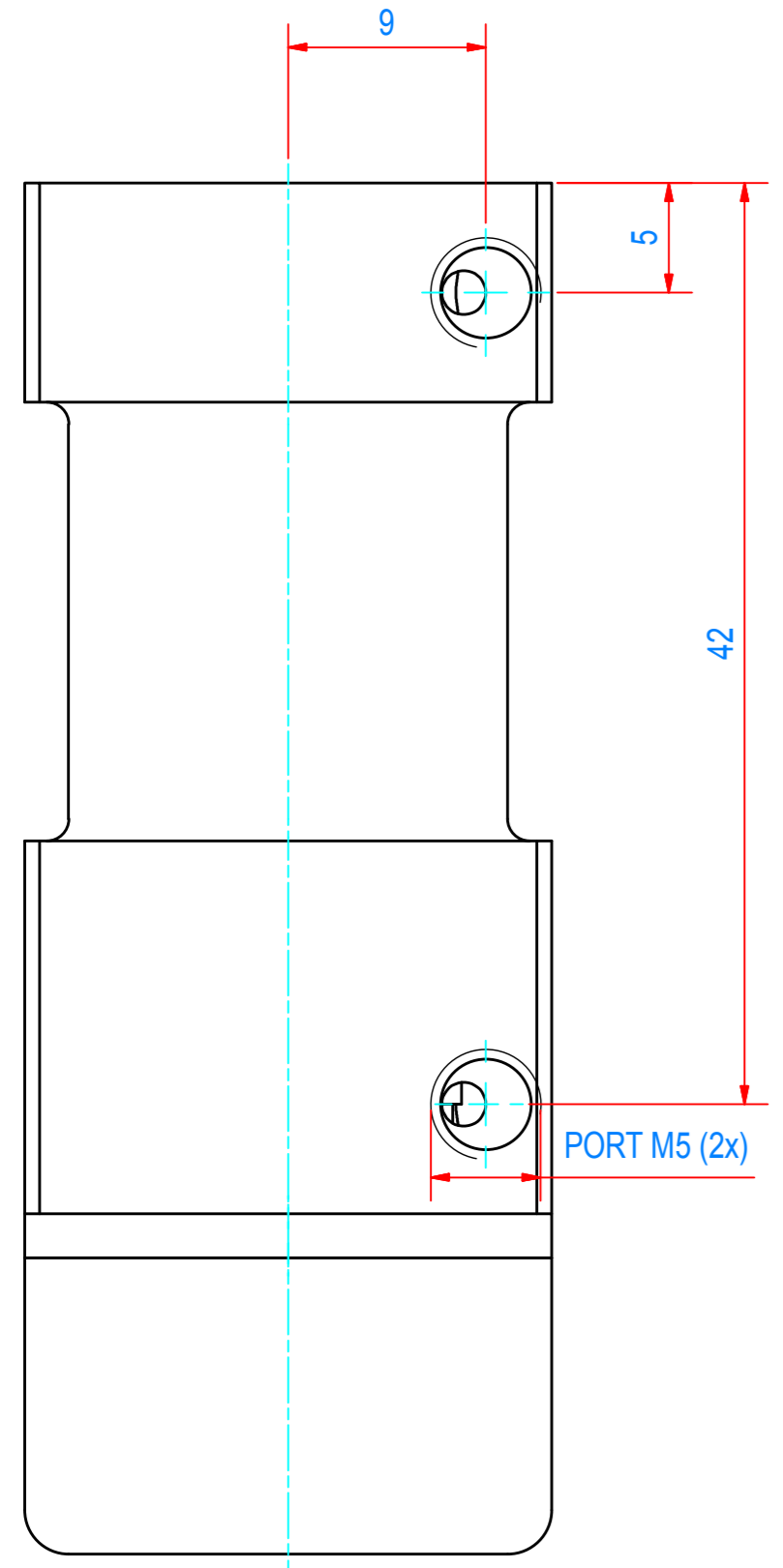
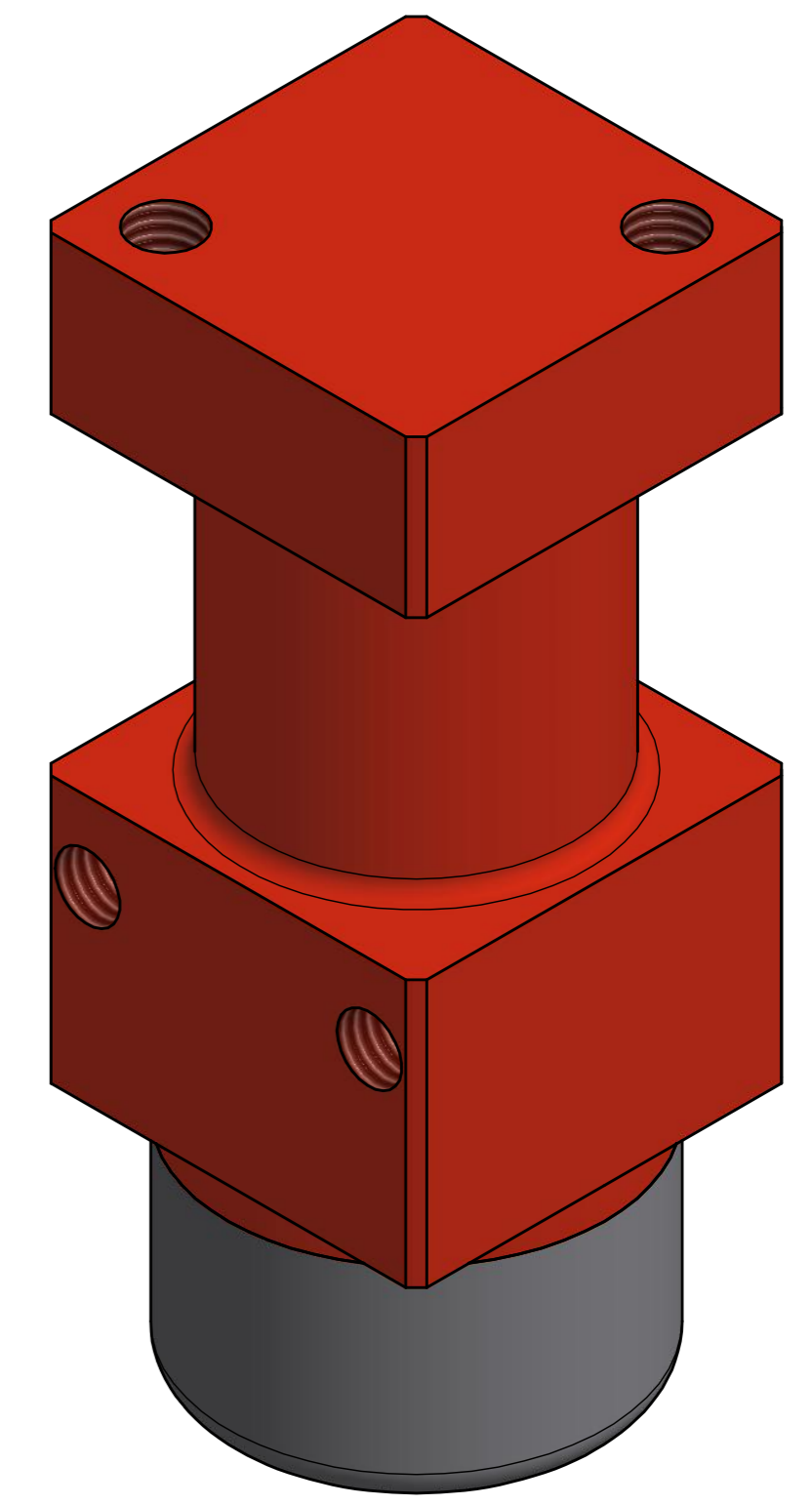
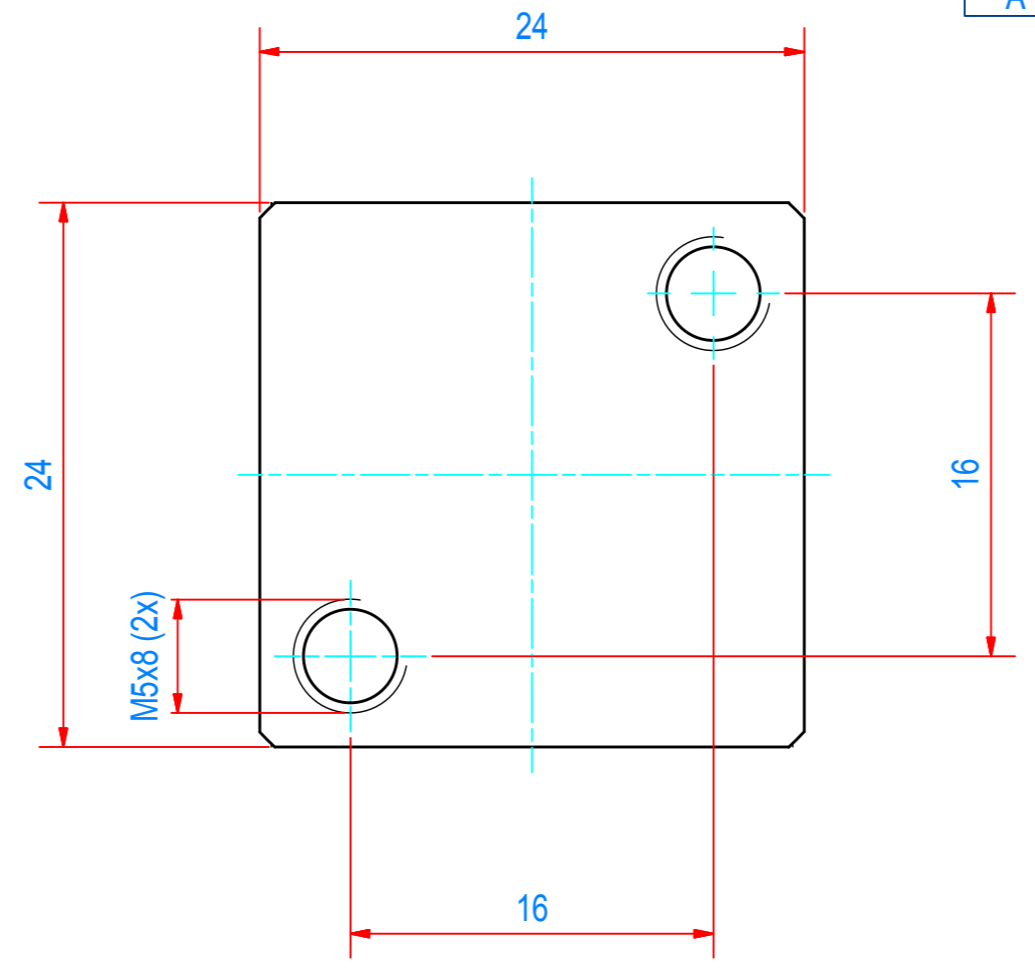


REV	DATE	BY	DESCRIPTION
-	11-3-2013	PB_Admin	NEW VAULT, NEW REVISION. NOTHING CHANGED. OLD REV WAS C
A	20-12-2013	BS	SCREW CAP DESIGN CHANGED, NEW NUMBER (WITH O-RING) IS E0011495



ITEM	QTY	PART NUMBER	DESCRIPTION	Dimensions	
1	1	E0011497	MOUNTING ASSY		
RAW MAT.	1			LENGTH (mm)	WIDTH (mm)
Sheet: A2		Extra info:		General tolerance: ISO 2768 - mK	
Drawn: PB		Weight (kg): 0,1		Drawn according: ISO268; ISO1101; ISO2553	
Date: 11-3-2013				Status: Standard	
Spare part: False				Customer reference number:	
Quick search: TPGC024		<small>© All rights reserved. Reproduction is not permitted without written permission of GOUDSMIT Magnetic Systems BV</small>		File number: TPGC024078 Rev: A	
Description: HGR-SQ-024-FL-R-M-F				Part number: TPGC024078 Rev: A	