



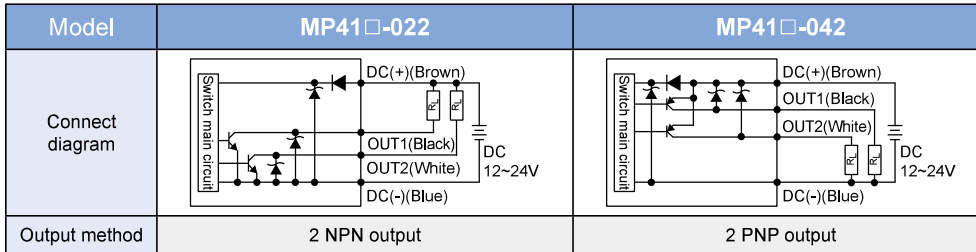
Features

- Hysteresis adjustable.
- High accuracy and Resolution.
- Low cost.
- Pressure unit selectable: kPa, MPa, kgf/cm², bar, psi, inHg, mmHg.

Specification

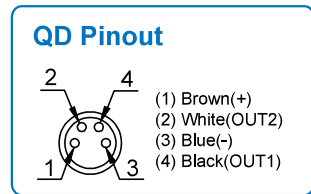
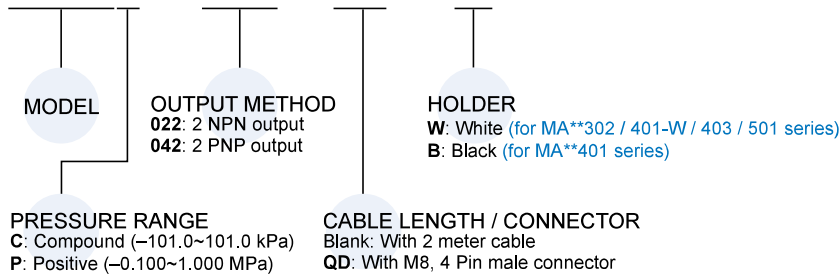
Model		MP41C (Compound)	MP41P (Positive)
Rated pressure range		– 100.0 ~ 100.0 kPa	0.0 ~ 1.0 MPa
Setting pressure range		– 101.0 ~ 101.0 kPa	– 0.1 ~ 1.0 MPa
Withstand pressure		300 kPa	1.5 MPa
Fluid		Air, Non-corrosive gases, incombustible gases	
Set pressure resolution	kPa / MPa	0.1 / –	– / 0.001
	kgf/cm ² / bar	0.001	0.01
	psi	0.01	0.1
	inHg / mmHg	0.1 / 1	–
Power supply voltage		12 to 24V DC ±10%, Ripple (P-P) 10% or less	
Current consumption		≤ 40mA (With no load)	
Switch output	Output type	2 NPN or 2 PNP open collector	
	Max. load current	125mA	
	Max. supply voltage	30V DC (at NPN output), 24V DC (at PNP output)	
	Residual voltage	≤1.5V	
Response time		Chattering-proof function: 50ms, 250ms, 500ms, 1000ms, 2000ms, 3000ms selections	
Output short circuit protection		Yes	
Display	LCD display	Two color(Red/Green) main & unit display, Orange sub-display (Sampling rate: 5 times/1sec.)	
	Switch ON Indicator	Orange (1 & 2 Indicator) OUT1 OUT2	
	Updates time	Adjustable	
	Indicator accuracy	≤±2% F.S. ±1 digit (ambient temperature: 25 ± 3°C)	
Repeatability (Switch output)		≤± 0.2% F.S. ±1digit	
Environment	Enclosure	IP40	
	Ambient temp. range	Operation: 0 ~ 50°C, storage : – 10 ~ 60°C (No condensation or freezing)	
	Ambient humidity range	35 ~ 85% RH (No condensation)	
	Withstand voltage	1000V AC in 1-min. (between case and lead wire)	
	Insulation resistance	50M Ω min. (at 500V DC, between case and lead wire)	
	Vibration	Total amplitude 1.5mm or 10G, 10Hz-150Hz-10Hz scan for 1 minute, two hours each direction of X,Y and Z	
	Shock	100m/s ² (10G), 3 times each in direction of X,Y and Z	
Temperature characteristic		≤±2% F.S. of detected pressure (25°C) at temp. Range of 0~50°C	
Lead wire		Oil-resistance cable (0.15mm ²)	
Weight		Approx. 65 g (with 2 meter lead wire), Approx. 30g (with male connector)	

Output circuit wiring graph



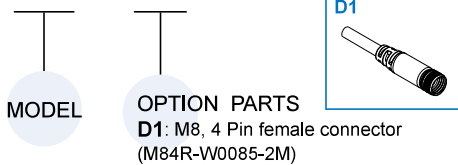
Order example

MP41P – 022 – QD – W

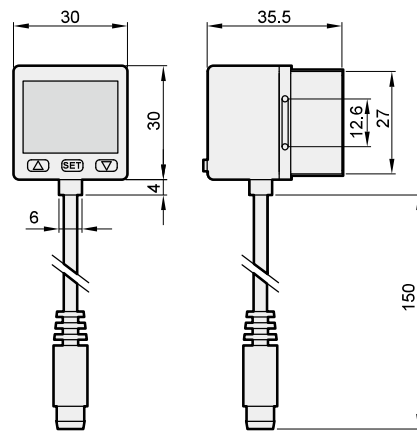


Mounting accessories (Option)

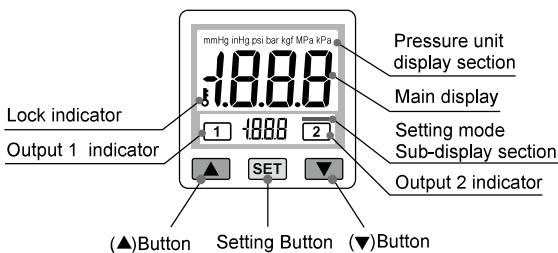
MP – D1



Dimensions



Panel instructions

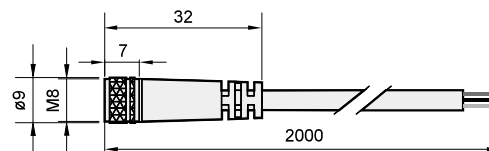


Applicable model

Series	302 / 403 / 501	401
F.R.L.Unit	MACP302 / 403 / 501	MACP401
F.R.L.Unit	MACT302 / 403 / 501	MACT401
F.R.Unit	MAFR302 / 403 / 501	MAFR401
R. Unit	MAR302 / 403 / 501	MAR401
F.R.Unit	—	MAFRF401
F.R.Unit	—	MATFR401

Optional part dimensions

M8, 4 Pin female connector
Model: MP-D1

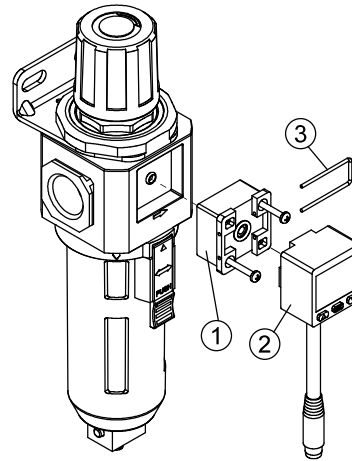


MP41 With MA**302

HIGH PRECISION DIGITAL PRESSURE SWITCH

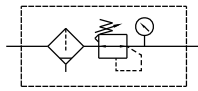


Mounting procedures



1. Fix the holder.
2. Assembly the digital pressure switch.
3. Button the n-ring.

Symbol



Order example

MAFR302 — 8A — □□ — E1 — □ — G

MODEL
MACP302
MACT302
MAFR302
MAR302

BORE SIZE
8A: 1/4
10A: 3/8
15A: 1/2

PRESSURE SWITCH
E1: MP41P-022
E2: MP41P-022-QD
E5: MP41P-042
E6: MP41P-042-QD

FILTER ELEMENT
Blank: 5µm
40u: 40µm

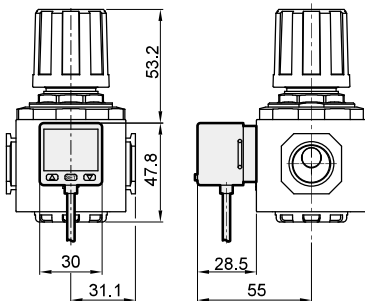
PORT THREAD
Blank: Rc thread
G: G thread
NPT: NPT thread

(Option) ACCESSORIES

Bowl	Drain valve (*)
Blank: PC bowl M: Metal bowl N: Nylon bowl	Blank: Semi-auto drain D: Auto drain valve (FMRF300)

* Not applicable to MAR302

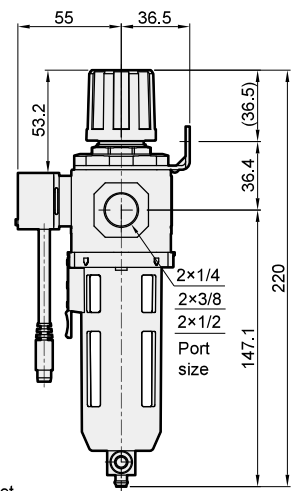
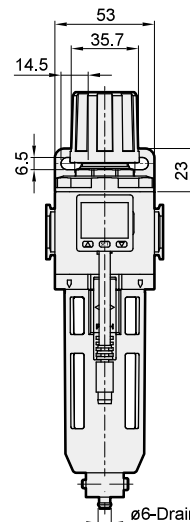
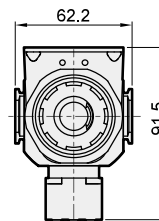
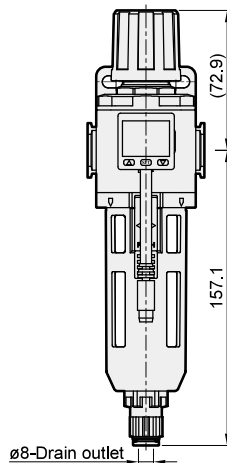
MAR302



MAFR302

MAFR302-D

Auto drain valve
Operating pressure range
0.15~1 MPa



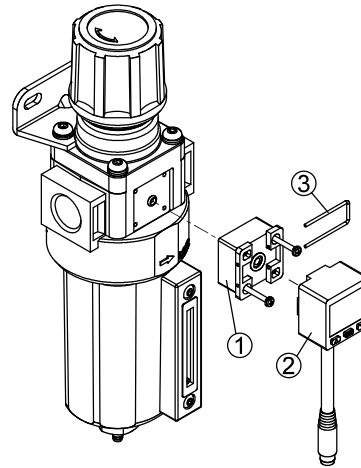
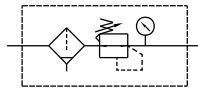
MP41 With MA**401

HIGH PRECISION DIGITAL PRESSURE SWITCH



Mounting procedures

Symbol



1. Fix the holder.
2. Assembly the digital pressure switch.
3. Button the n-ring.

Order example

MAFR401 - 8A - [] - [] - E1 - [] - G

MODEL
MACP401
MACT401
MAFR401
MAR401

EXTERIOR COLOR
Blank: Black & Silver
W: Gray & white

PRESSURE SWITCH
E1: MP41P-022
E2: MP41P-022-QD
E5: MP41P-042
E6: MP41P-042-QD

FILTER ELEMENT
Blank: 40µm
5u: 5µm

PORT THREAD
Blank: Rc thread
G: G thread
NPT: NPT thread

BORE SIZE (Option) ACCESSORIES

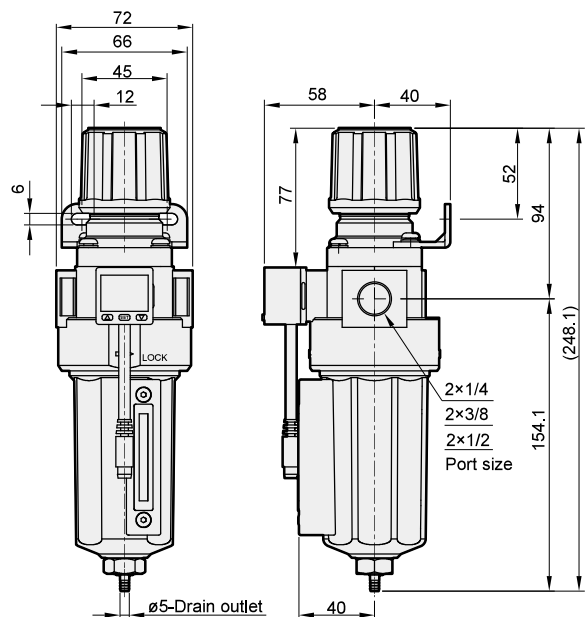
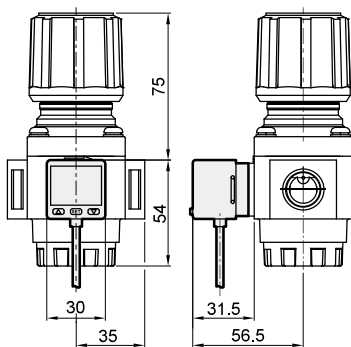
8A: 1/4
10A: 3/8
15A: 1/2

Bowl	Drain valve (*)
Blank: Metal bowl	Blank: Semi-auto drain D: Auto drain valve (FMRF300)

* Not applicable to MAR401

MAFR401

MAR401

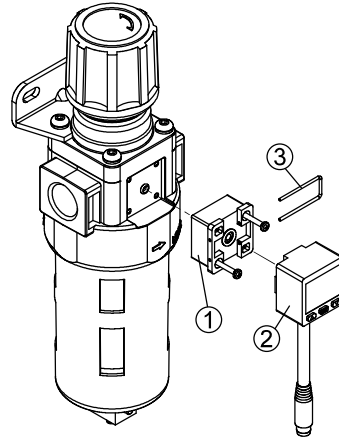


MP41 With MA**403

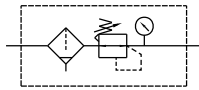
HIGH PRECISION DIGITAL PRESSURE SWITCH



Mounting procedures



Symbol



1. Fix the holder.
2. Assembly the digital pressure switch.
3. Button the n-ring.

Order example

MAFR403 — 8A — □□ — E1 — □ — G

MODEL
MACP403
MACT403
MAFR403
MAR403

BORE SIZE
8A: 1/4
10A: 3/8
15A: 1/2

PRESSURE SWITCH
E1: MP41P-022
E2: MP41P-022-QD
E5: MP41P-042
E6: MP41P-042-QD

FILTER ELEMENT
Blank: 40µm
5u: 5µm

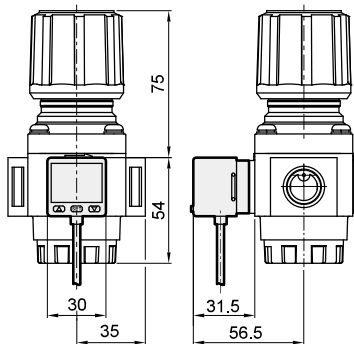
PORT THREAD
Blank: Rc thread
G: G thread
NPT: NPT thread

(Option) ACCESSORIES

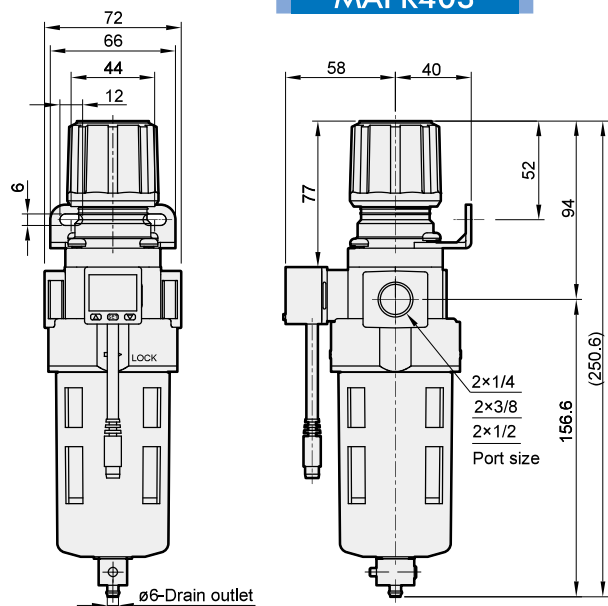
Bowl	Drain valve (*)
Blank: PC bowl N: Nylon bowl	Blank: Semi-auto drain D: Auto drain valve (FMRF300)

* Not applicable to MAR403

MAR403



MAFR403

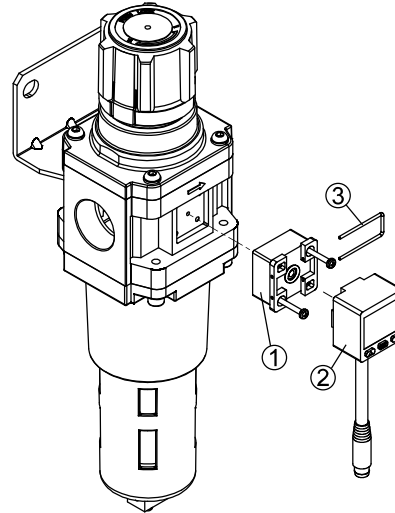


MP41 With MA**501

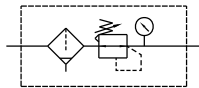
HIGH PRECISION DIGITAL PRESSURE SWITCH



Mounting procedures



Symbol



1. Fix the holder.
2. Assembly the digital pressure switch.
3. Button the n-ring.

Order example

MAFR501 - 8A - □□ - E1 - G

MODEL	BORE SIZE	(Option) ACCESSORIES	PRESSURE SWITCH	PORT THREAD
MACP501	20A: 3/4		E1: MP41P-022	Blank: Rc thread
MACT501	25A: 1		E2: MP41P-022-QD	G: G thread
MAFR501			E5: MP41P-042	NPT: NPT thread
MAR501			E6: MP41P-042-QD	

Bowl	Drain valve
Blank: PC bowl	Blank: Semi-auto drain
M: Metal bowl	D: Auto drain valve (FMRF300)
N: Nylon bowl	* Not applicable to MAR501

MAFR501

MAR501

