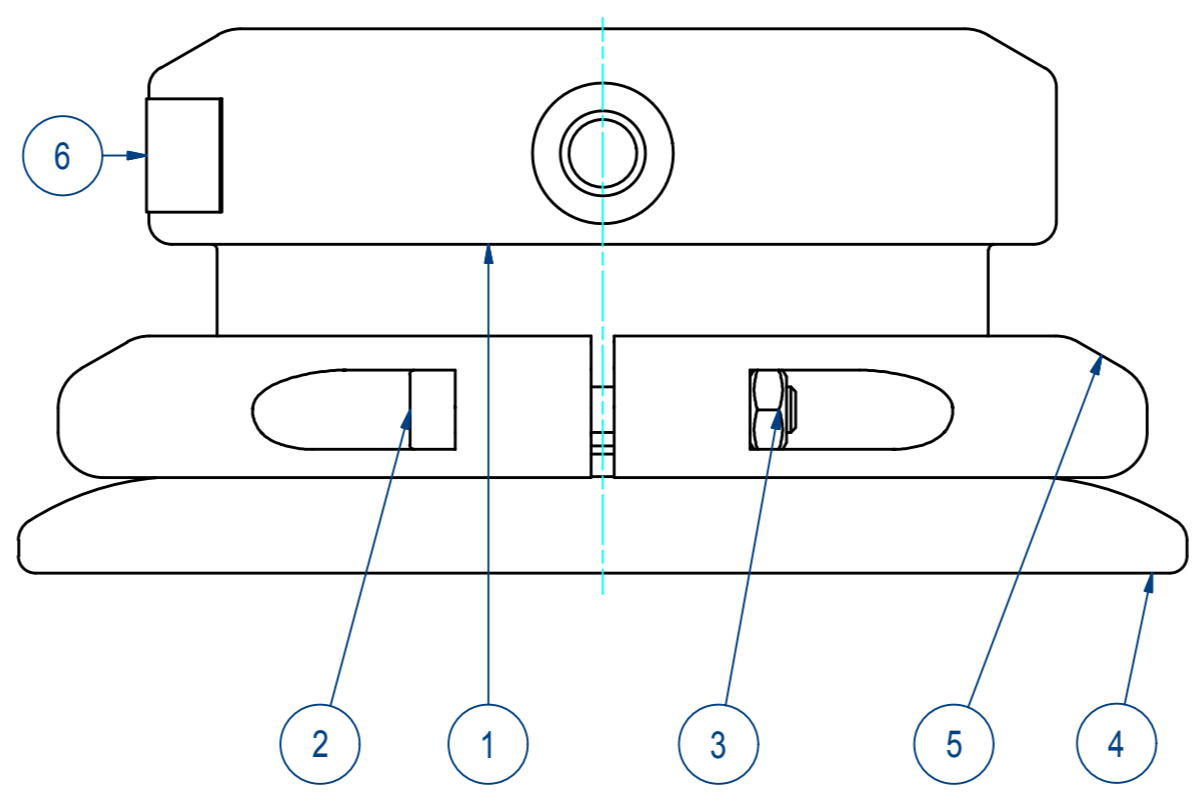
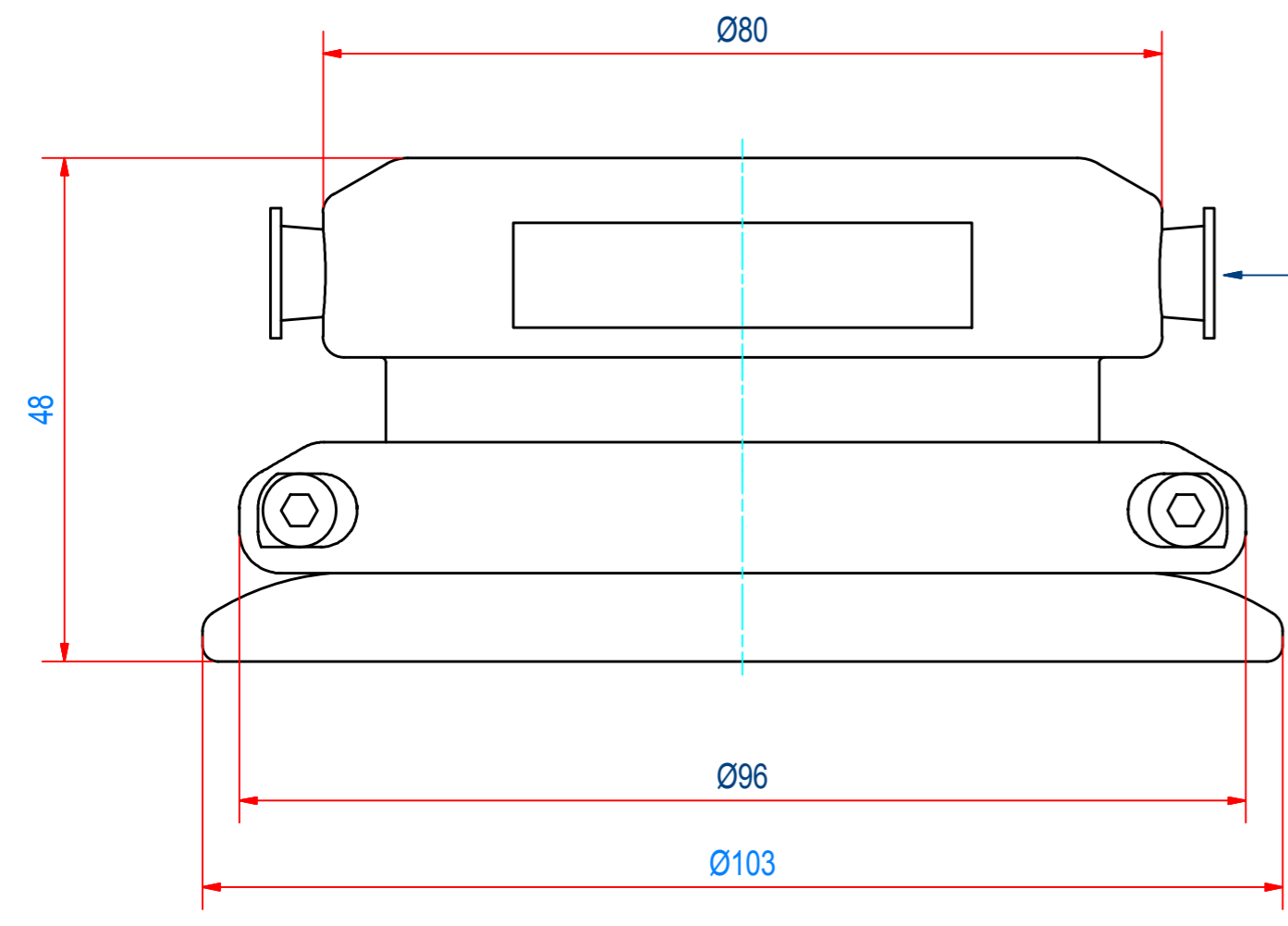
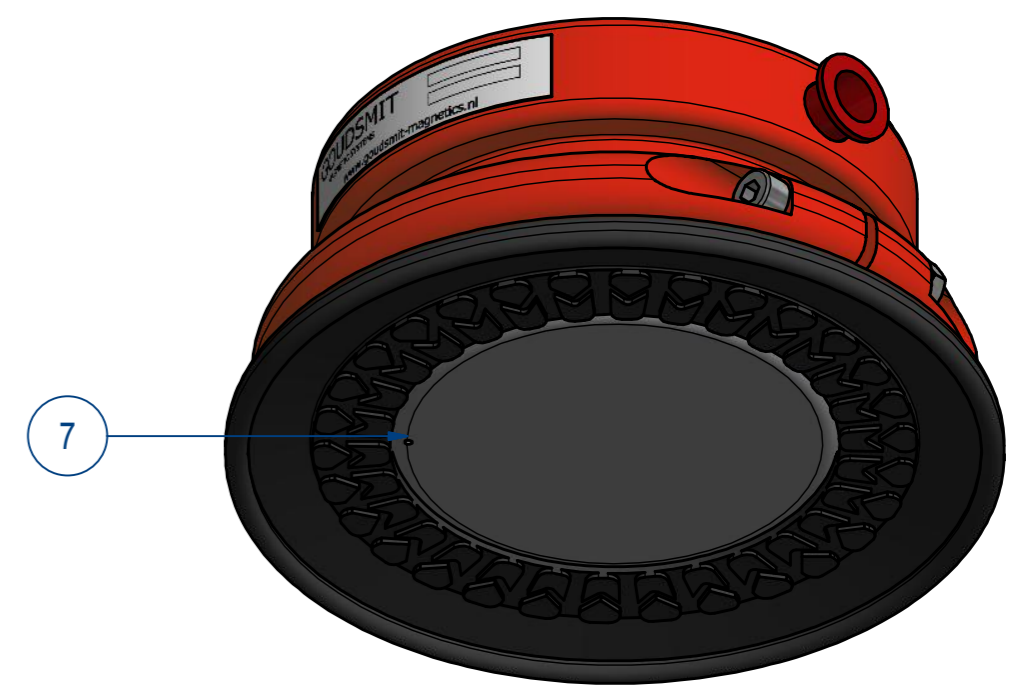
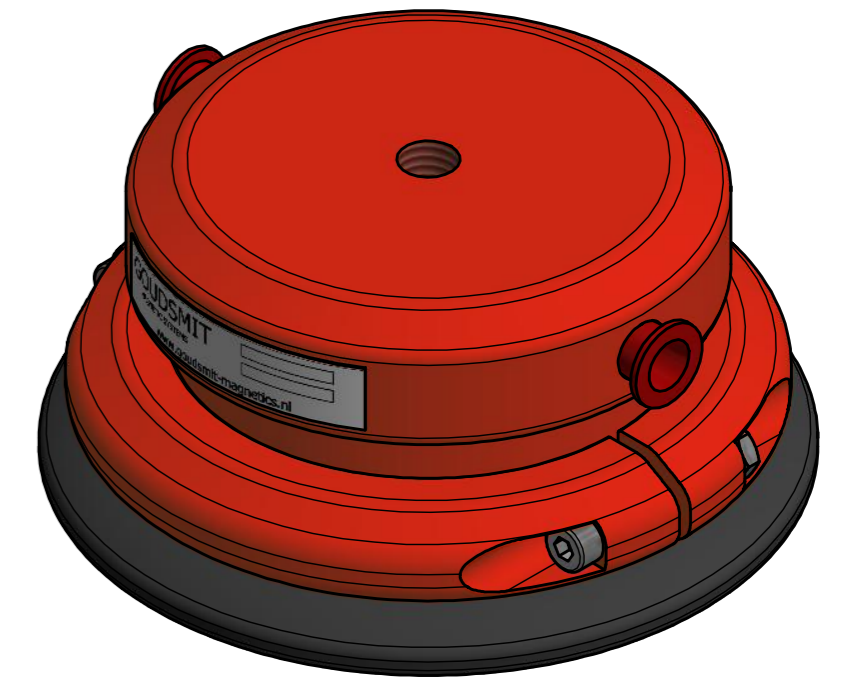
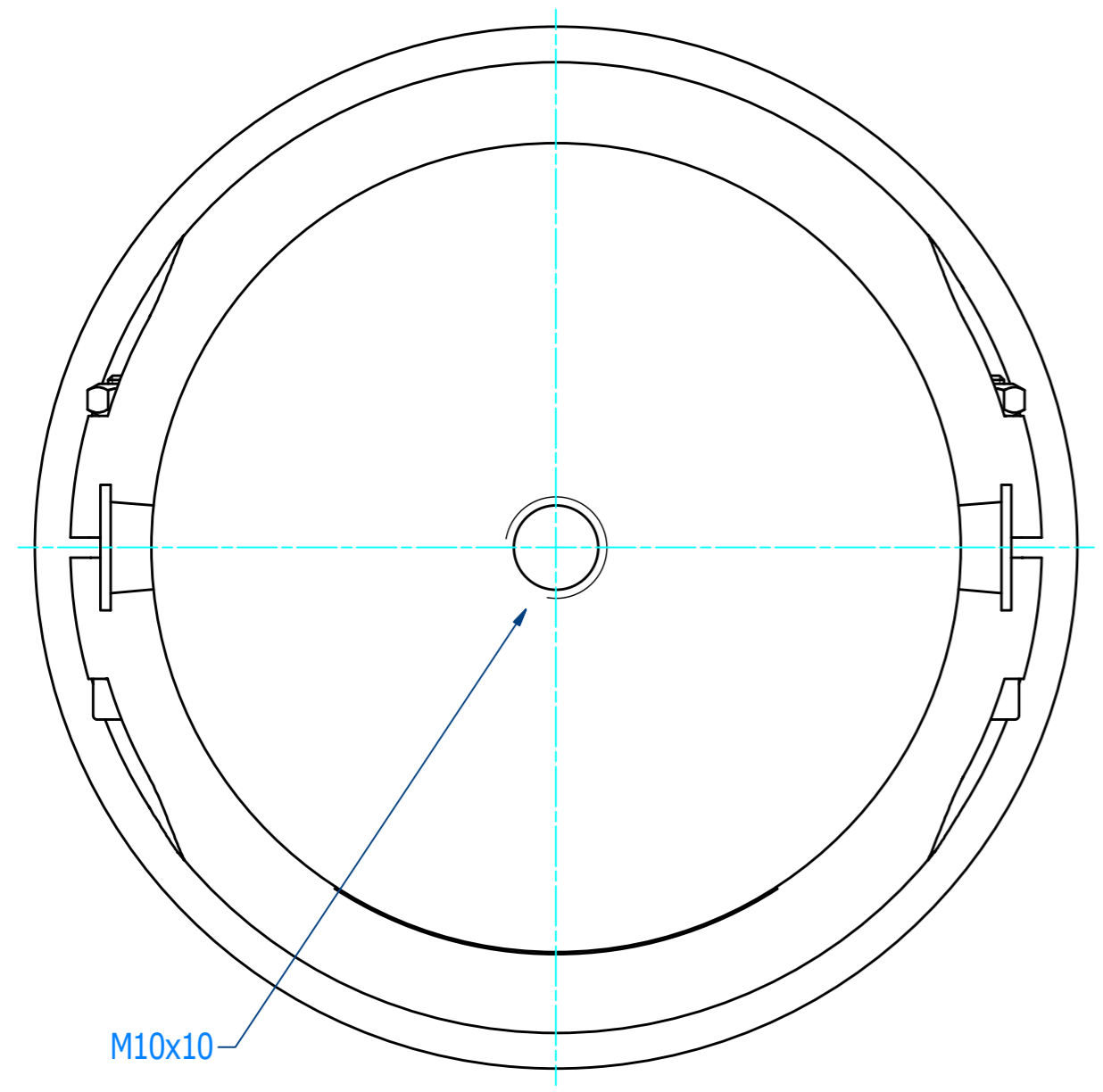


REV	DATE	BY	DESCRIPTION
-	18-12-2013	BS	NEW VAULT, NOTHING CHANGED, IS EQUAL TO OLD REVISION B



ITEM	QTY	PART NUMBER	DESCRIPTION	Dimensions
7	1	M35636	BOTTOM COVER TP100 VACUUM HOLE	
6	1	E0016443	STICKER TP-100 SIDE	
5	2	M35605	CLEAT TP100	
4	1	M60074	VACUUM PAD DIA 100	
3	2	60.0100004	NUT, HEX M4 - St8 Zn	M4
2	2	51.0104030	SCREW, HEX SH M4 x 30 - St8.8 Zn	M4 x 30
1	1	M35617	ASSY TP-100024	

RAW MAT.	Quantity	Material Number	Material Description	Length (mm)	Width (mm)
Sheet: A2		Extra info: MAGNETIC GRIPPER		General tolerance: ISO 2768 - mK	
Drawn: BS		Weight (kg): 0,6		Drawn according: ISO268; ISO1101; ISO2553	
Date: 17-12-2013				Status: Standard	
Spare part: False				Customer reference number:	
Quick search: TPMV070		© All rights reserved. Reproduction is not permitted without written permission of GOUDSMIT Magnetic Systems BV		Document number: TPMV100024	
Description: HGC-RO-100-VR-F-G-F		Part number: TPMV100024		Doc.Rev: -	