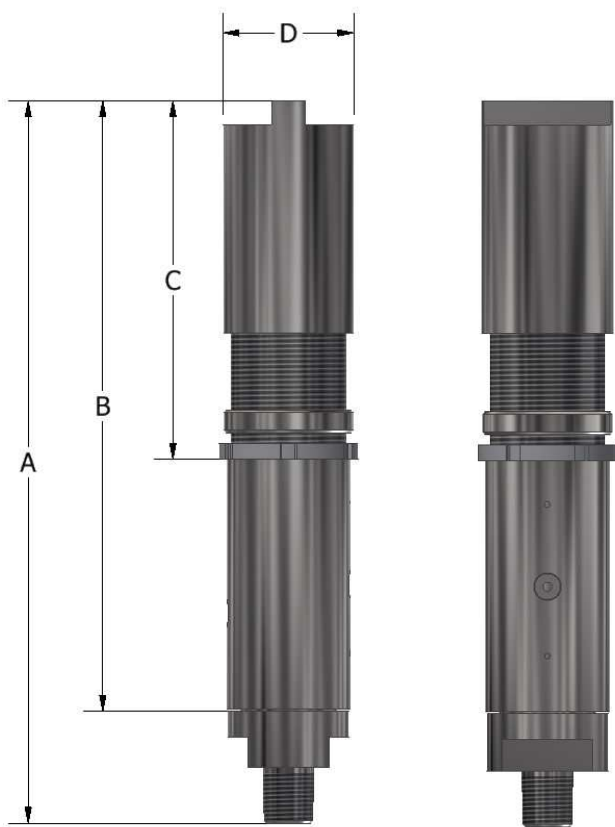


OPERATION

The Ruelco SS-H High Pressure Hydraulic pressure switch is a 2-way bleed only valve that is operated by pressure acting on a piston opposing an adjustable spring force. The High switch will function as a normally closed valve, which will vent the instrument signal when the process pressure reaches the set point. The valve will then reset after the process pressure has dropped below the deadband range of the pressure switch.



FEATURES

- 316 stainless steel construction (models to N.A.C.E MR0175 available)
- Standard base range 10-10,000 psi (with 1/4" piston option)
- Operating pressure range from .5 to 20,000 psi
- Up to 6,000 psi instrument signal
- Holds constant and accurate set points
- Designed for 3% plus or minus repeatability on set points
- Minimum deadband between trip and reset pressure
- Spring may be replaced with instrument and sensing pressure present in the sensor

DIMENSIONS

A (MAXIMUM)	12.08" (306.8 mm)
B (MAXIMUM)	10.26" (260.6 mm)
C (MAXIMUM)	6.13" (155.7 mm)
D	2.12" (53.8 mm)
PANEL MOUNT HOLE	1.875" (48 mm)
INSTRUMENT CONNECTION PORTS	1/4" FNPT

PARTS LIST

ITEM	QUANTITY	DESCRIPTION	MATERIAL
1	1	SPRING CAP	316 ST. STL.
2	1	SPRING	ASTM-401 OR INCONEL
3	1	PARTS TUBE	ACETATE BUTYRATE
4	1	LOCK RING	316 ST. STL.
5	1	PANEL MOUNTING NUT (OPTIONAL)	CF-8M ST. STL.
6	1	SPRING PLATE	316 ST. STL.
7	1	SPOOL	17-4 PH ST. STL.
8*	2	OUTER SPOOL SEALS	NITRILE
9*	1	CENTER SPOOL SEAL	URETHANE
10	1	TOP SLEEVE	17-4 PH ST. STL.
11*	2	TOP SLEEVE SEALS	NITRILE
12	1	BOTTOM SLEEVE	316 ST. STL.
13*	2	BOTTOM SLEEVE SEALS	NITRILE
14	1	BODY	316 ST. STL.
15*	1	PISTON SEAL	FLUOROCARBON

* INDICATES ITEMS IN THE REPAIR KIT

SPECIFICATIONS

VALVE TYPE	2 WAY
SET POINT DEVIATION	+/- 3%
DEADBAND	10% OF RANGE
MAXIMUM HYDRAULIC INSTRUMENT PRESSURE	6,000 PSI (414 BAR)
Cv FACTOR	.12
AMBIENT TEMPERATURE RANGE	-20 TO 250° F -29 TO 122° C

REPAIR KIT

- 4H-005-0B0 (FOR STANDARD #1,#2,#3 BASE)

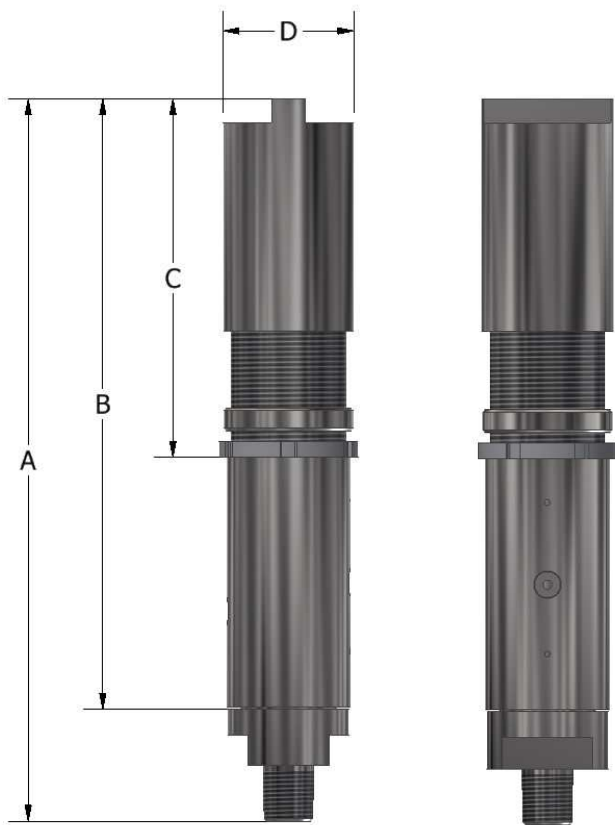
OTHER TEMPERATURE RANGES AND SEAL COMPOUNDS AVAILABLE UPON REQUEST

ORDERING CODE

BODY CODE: 4HH2

OPERATION

The Ruelco SS-H High Pressure Hydraulic pressure switch is a 2-way bleed only valve that is operated by pressure acting on a piston opposing an adjustable spring force. The Low switch will function as a normally closed valve, which will vent the instrument signal when the process pressure drops below the set point. The valve will then reset after the process pressure has risen above the deadband range of the pressure switch.



FEATURES

- 316 stainless steel construction (models to N.A.C.E MR0175 available)
- Standard base range 10-10,000 psi (with 1/4" piston option)
- Operating pressure range from .5 to 20,000 psi
- Up to 6,000 psi instrument signal
- Holds constant and accurate set points
- Designed for 3% plus or minus repeatability on set points
- Minimum deadband between trip and reset pressure
- Spring may be replaced with instrument and sensing pressure present in the sensor

DIMENSIONS

A (MAXIMUM)	12.08" (306.8 mm)
B (MAXIMUM)	10.26" (260.6 mm)
C (MAXIMUM)	6.13" (155.7 mm)
D	2.12" (53.8 mm)
PANEL MOUNT HOLE	1.875" (48 mm)
INSTRUMENT CONNECTION PORTS	1/4" FNPT

PARTS LIST

ITEM	QUANTITY	DESCRIPTION	MATERIAL
1	1	SPRING CAP	316 ST. STL.
2	1	SPRING	ASTM-401 OR INCONEL
3	1	PARTS TUBE	ACETATE BUTYRATE
4	1	LOCK RING	316 ST. STL.
5	1	PANEL MOUNTING NUT (OPTIONAL)	CF-8M ST. STL.
6	1	SPRING PLATE	316 ST. STL.
7	1	SPOOL	17-4 PH ST. STL.
8*	2	OUTER SPOOL SEALS	NITRILE
9*	1	CENTER SPOOL SEAL	URETHANE
10	1	TOP SLEEVE	17-4 PH ST. STL.
11*	2	TOP SLEEVE SEALS	NITRILE
12	1	BOTTOM SLEEVE	316 ST. STL.
13*	2	BOTTOM SLEEVE SEALS	NITRILE
14	1	BODY	316 ST. STL.
15*	1	PISTON SEAL	FLUOROCARBON

* INDICATES ITEMS IN THE REPAIR KIT

SPECIFICATIONS

VALVE TYPE	2 WAY
SET POINT DEVIATION	+/- 3%
DEADBAND	10% OF RANGE
MAXIMUM HYDRAULIC INSTRUMENT PRESSURE	6,000 PSI (414 BAR)
Cv FACTOR	.12
AMBIENT TEMPERATURE RANGE	-20 TO 250° F -29 TO 122° C

REPAIR KIT

- 4H-005-0B0 (FOR STANDARD #1,#2,#3 BASE)

OTHER TEMPERATURE RANGES AND SEAL COMPOUNDS AVAILABLE UPON REQUEST

ORDERING CODE

BODY CODE: 4HL2

EXTERNAL SCALE

Any of the many Ruelco pressure switches can come with an external mounted and calibrated scale option. The scale allows the user to quickly and accurately adjust the pressure set point of the switch without the need for an additional testing or calibrating. Simply raise or lower the bottom of the lock ring to the desired pressure and adjust the cap until it meets the lock ring. The pressure switch is now set to the visible mark on the scale. The scale can be used for any field mounting or panel mounting situation.



ORDERING CODE

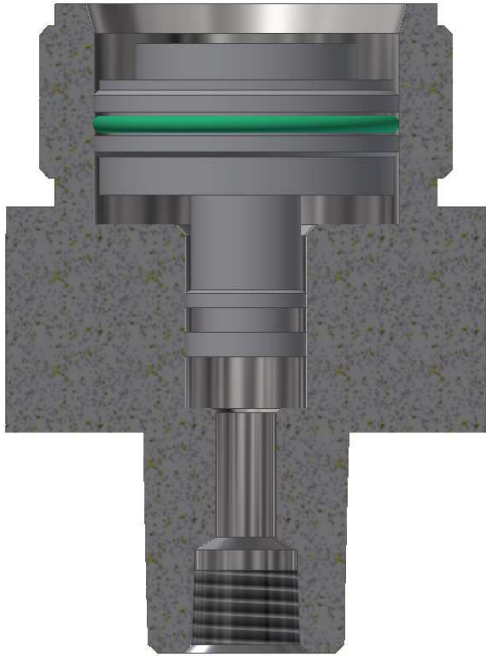
4 XX 3

SS-H HIGH SET ---(HH)

SS-H LOW SET ---(HL)

EXTERNAL SCALE

#1 BASE - 1-1/4" PISTON



RANGE CHART

SPRING CODE	RANGE
B (BLUE) - STANDARD	10 – 110 PSI
G (GREEN) - INCONEL	(.7 – 7.9 BAR)
R (RED) - STANDARD	20 - 230 PSI
Y (YELLOW) - INCONEL	(1.4 - 15.8 BAR)
S (SILVER) - STANDARD	50—450 PSI
P (PURPLE) - INCONEL	(3.4—31 BAR)

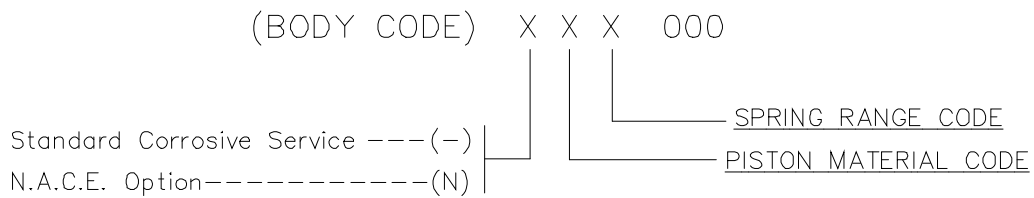
MATERIAL (PISTON AND BASE)

MATERIAL	PISTON CODE
316 ST. STL.	1
MONEL 400	6
INCONEL 625	B
HASTELLOY C-276	G
SUPER DUPLEX 2507	K
INCOLOY 825	P
DUPLEX 2205	U
6 MO 254	Y

SPECIFICATIONS

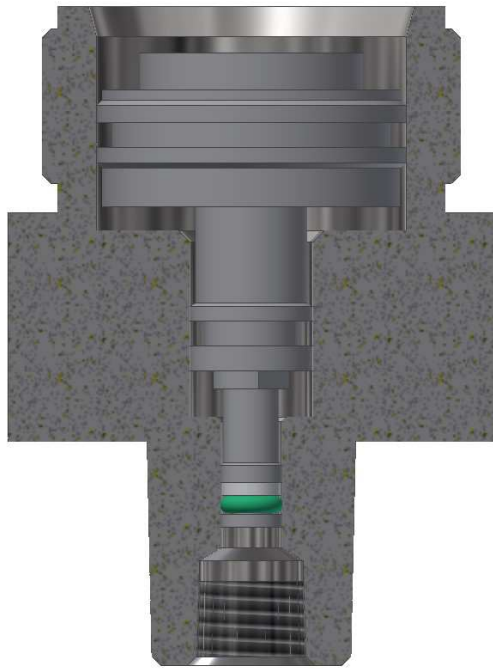
MAXIMUM OPERATION PRESSURE	10,000 PSI (690 BAR)
BURST PRESSURE	20,000 PSI (1380 BAR)
PROCESS CONNECTION	1/2" MNPT
PROCESS CONNECTION	1/4" FNPT

ORDERING CODE



PRESSURE SWITCH BASE

#3 BASE - 1/4" PISTON



RANGE CHART

SPRING CODE	RANGE
B (BLUE) - STANDARD	1,000 – 3,000 PSI (69 – 207 BAR)
G (GREEN) - INCONEL	2,000 - 5,000 PSI (138 - 345 BAR)
R (RED) - STANDARD	5,000 - 10,000 PSI (345 - 690 BAR)
Y (YELLOW) - INCONEL	
S (SILVER) - STANDARD	
P (PURPLE) - INCONEL	

SPECIFICATIONS

MAXIMUM OPERATION PRESSURE	10,000 PSI (690 BAR)
BURST PRESSURE	20,000 PSI (1380 BAR)
PROCESS CONNECTION	1/2" MNPT
PROCESS CONNECTION	1/4" FNPT

MATERIAL (PISTON AND BASE)

MATERIAL	PISTON CODE
316 ST. STL.	3
MONEL 400	8
INCONEL 625	D
HASTELLOY C-276	I
SUPER DUPLEX 2507	M
INCOLOY 825	R
DUPLEX 2205	W

PRESSURE SWITCH BASE

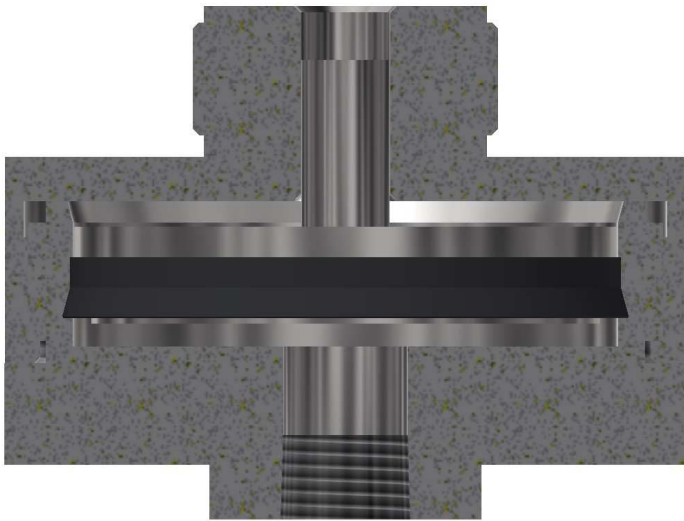
ORDERING CODE

(BODY CODE) X X X 000

Standard Corrosive Service ---(-) | | | |
 N.A.C.E. Option------(N) | | | |

SPRING RANGE CODE
 PISTON MATERIAL CODE

#0 BASE - 3" PISTON



RANGE CHART

SPRING CODE	RANGE
B (BLUE) - STANDARD	.5 - 20 PSI
G (GREEN) - INCONEL	(.03 – 1.4 BAR)
R (RED) - STANDARD	4 - 40 PSI
Y (YELLOW) - INCONEL	(.3 - 2.75 BAR)
S (SILVER) - STANDARD	10 - 80 PSI
P (PURPLE) - INCONEL	(.7 - 5.5 BAR)

SPECIFICATIONS

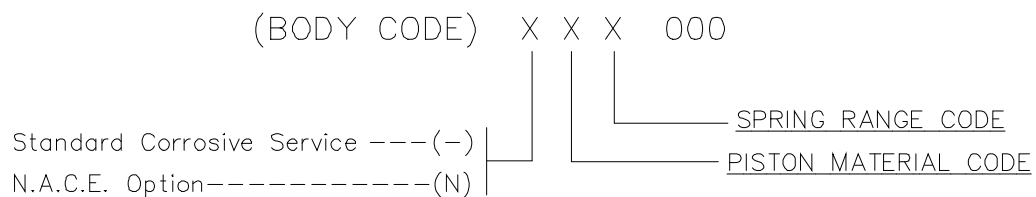
MAXIMUM OPERATION PRESSURE	5,000 PSI (345 BAR)
BURST PRESSURE	10,000 PSI (690 BAR)
PROCESS CONNECTION	1/2" FNPT

MATERIAL (PISTON AND BASE)

MATERIAL	PISTON CODE
316 ST. STL.	0
MONEL 400	5
INCONEL 625	A
HASTELLOY C-276	F
SUPER DUPLEX 2507	O
DUPLEX 2205	T

PRESSURE SWITCH BASE

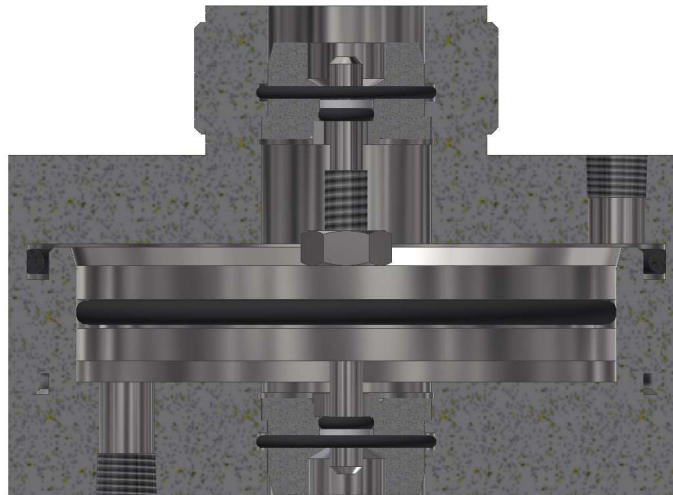
ORDERING CODE



DIFFERENTIAL - 3" PISTON

OPERATION

The Ruelco Differential Base allows any of the Ruelco pressure bodies to measure the pressure difference between the upper and lower ports. Depending on the instrument ports used, the base allows for a rising or falling pressure difference set point. Typical use would be to connect the upstream and downstream connections to the base in order to determine an undesired pressure drop or a clogged filter pressure build and to activate the safety switch.



PRESSURE SWITCH BASE

RANGE CHART

SPRING CODE	RANGE
B (BLUE) - STANDARD	.5 - 20 PSI
G (GREEN) - INCONEL	(.03 – 1.4 BAR)
R (RED) - STANDARD	4 - 40 PSI
Y (YELLOW) - INCONEL	(.3 - 2.75 BAR)
S (SILVER) - STANDARD	10 - 80 PSI
P (PURPLE) - INCONEL	(.7 - 5.5 BAR)

SPECIFICATIONS

MAXIMUM OPERATION PRESSURE	2,000 PSI (138 BAR)
MAXIMUM DIFFERENTIAL PRESSURE	1,500 PSI (103 BAR)
PROCESS CONNECTION	1/8" FNPT

DIFFERENTIAL - 3" PISTON

PARTS LIST

ITEM	QUANTITY	DESCRIPTION	MATERIAL
1	1	UPPER HOUSING	17-4 PH ST. STL.
2	1	LOWER HOUSING	17-4 PH ST. STL.
3*	1	BODY SEAL	FLUOROCARBON
4*	1	PISTON SEAL	FLUOROCARBON
5	1	PISTON	17-4 PH ST. STL.
6*	2	GUIDE SLEEVE SEALS	FLUOROCARBON
7	2	GUIDE SLEEVE	316 ST. STL.
8	2	SEAL RETAINER	FLUOROCARBON
9*	2	SPOOL SEALS	FLUOROSILICON
10**	2	SPOOL SEAL BACKUP	TEFLON
11	2	RETAINER RING	316 ST. STL.
12	1	SPOOL	17-4 PH ST. STL.
13*	1	PISTON/ SPOOL SEAL	FLUOROCARBON
14	1	LOCK WASHER	316 ST. STL.
15	1	HEX NUT	316 ST. STL.

PRESSURE SWITCH BASE

ORDERING CODE

(BODY CODE) X D X 000

Standard Corrosive Service ---(-) |
 N.A.C.E. Option------(N) |

SPRING RANGE CODE

REPAIR KIT

- 4D-008-000

OTHER TEMPERATURE RANGES AND SEAL COMPOUNDS AVAILABLE UPON REQUEST