

# Verderair

## VA25 (HE) metallic



VERDERAIR®

### Description

The VA25 (HE) metallic double diaphragm pumps are excellent pumps for use in a wide range of applications across many industries. Those pumps are using the modern technology to make them the most efficient on the market! The air section is available in aluminium or plastic, the pump body in 3 different materials and there are 9 different materials available for the diaphragms. This makes it possible to select the best solution for your application.

### Your benefits

- Energy efficient
- Less downtime
- Easy to install, operate and maintain
- Ant-ice muffler
- Free of air lubrication
- Non-stalling air valve
- Can run-dry without damage
- Dry self-priming

Technical data				
Weight [kg]	Fluid & air section	AA	10,5	
		SP	16,5	
		SC	16,9	
		SA	18,8	
		HC	18,6	
Max. suction lift [mwc]		Dry	4,9	
		Wet	8,8	
Temperature [°C]	<b>Fluid section</b>	<b>Internals</b>		
	All materials	AC, BN	-12	82
		GE	-40	66
		HY	-29	66
		KY	-12	107
		NO, NW, NE	-18	82
		PP	0	66
		SP	-40	82
		TF	4	104
		TO	4	82
VT		-40	135*	
Max. Particle size [mm]			3,2	
Max. recommended viscosity (mPas)			10000	

\* in non explosive environments 160°C is possible

# Verderair

## VA25 (HE) metallic



VERDERAIR®

Code VA25 No.1 No.2 No.3 No.4. No.5 No.6 No.7

### No.1 Fluid section

- A = Aluminium
- S = Stainless Steel
- H = Hastelloy

### No.2 Air section

- A = Aluminium
- C = Conductive Polypropylene
- P = Polypropylene

### No.3 Check valve seats

- AC = Acetal
- AL = Aluminium
- BN = Buna-N
- GE = Geolast
- HY = Hytrel (TPE)
- KY = Kynar (PVDF)
- PP = Polypropylene
- SP = Santoprene

- SS = Stainless Steel
- VT = Viton (FKM)

### No. 4 Check valve balls

- AC = Acetal
- BN = Buna-N
- GE = Geolast
- HY = Hytrel (TPE)
- SP = Santoprene
- SS = Stainless Steel
- VT = Viton (FKM)
- TF = PTFE
- NE = Neoprene
- NW = Neoprene Weighted

### No.5 Diaphragms

- BN = Buna-N
- GE = Geolast

- HY = Hytrel (TPE)
- NE = Neoprene
- NO = Neoprene overmolded
- SP = Santoprene
- TF = PTFE/EPDM 2 piece
- TO = PTFE/EPDM overmolded
- VT = Viton (FKM)

### No. 6 Connections

- TB = Threaded BSP
- TN = Threaded NPT

### No. 7 Options

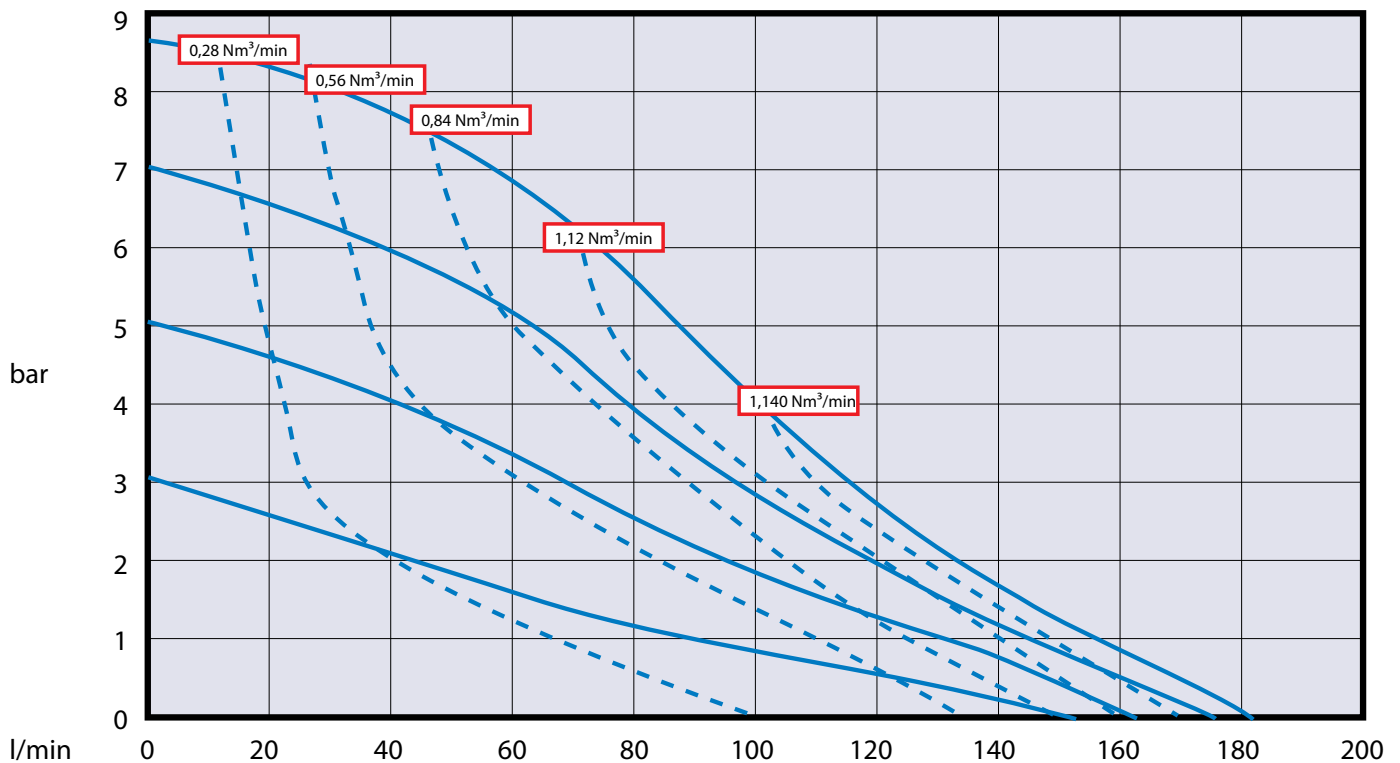
- OO = Standard
- RE = Remote
- SS = Stroke sensor
- UL = UL listed (only VA25AA)

EXAMPLE PUMP TYPE

**VA25AA AL GE GE TB OO**

II 2 GD c IIC T4

NOTE not all combinations are available



Air consumption

Measured with water of 20°C

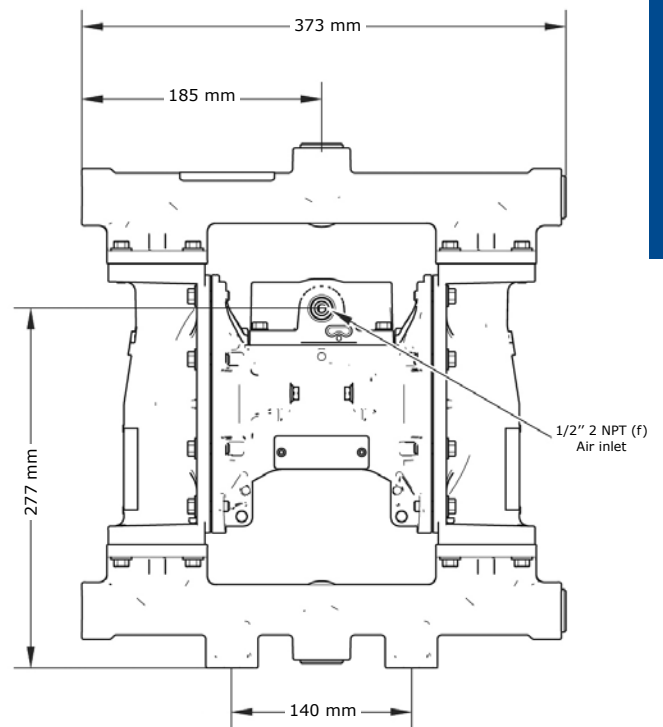
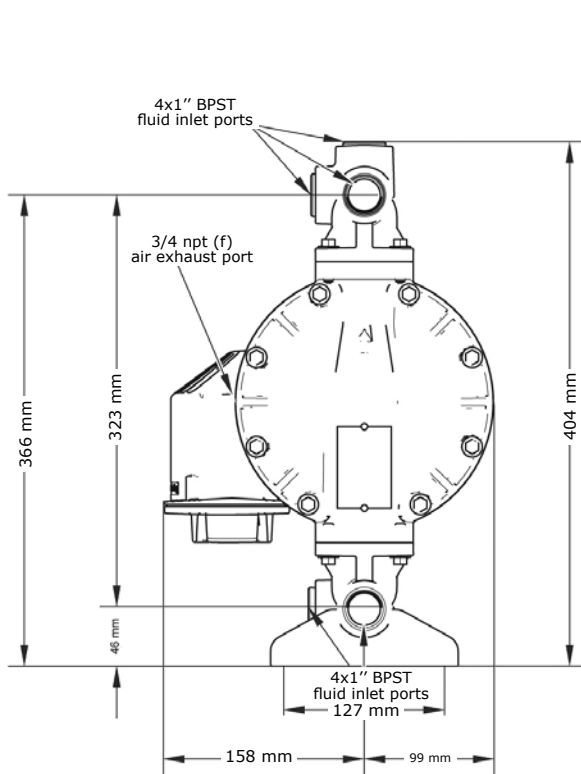
# Verderair

## VA25 (HE) metallic

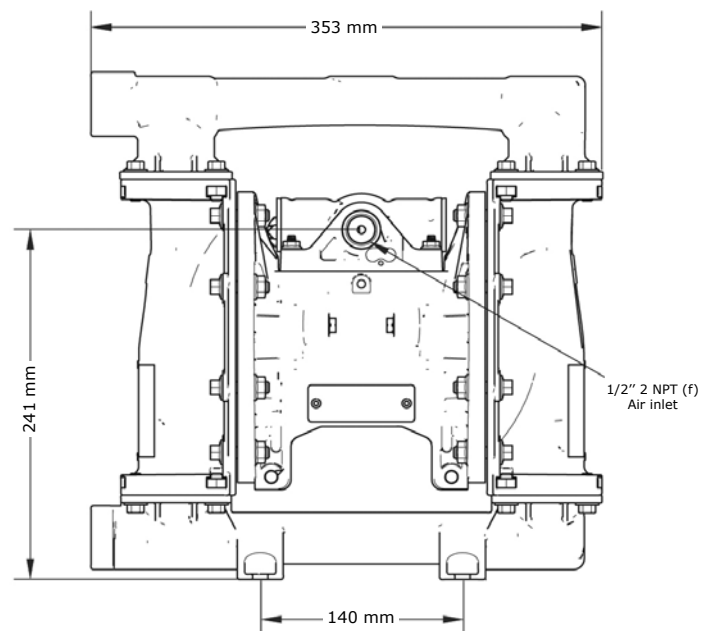
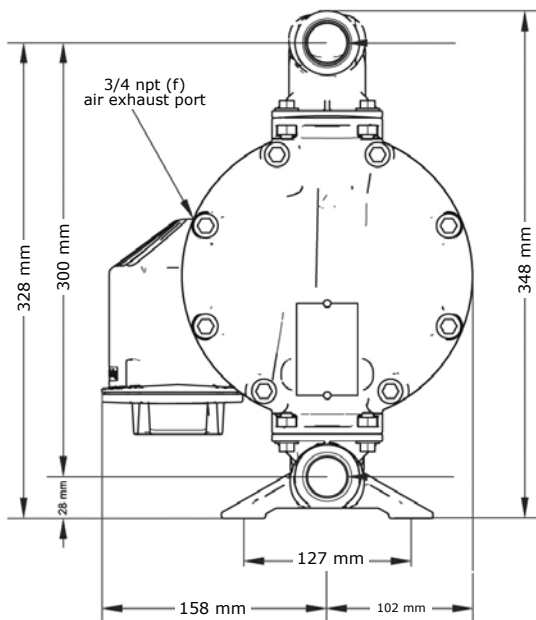


VERDERAIR®

### VA 25 aluminium



### VA 25 stainless steel



All dimensions are in mm.  
All dimensions are for guidance only.

Find your local supplier  
at [www.verderair.com](http://www.verderair.com)

For construction, installation and floor mounting drawings  
please contact your local authorised Verderair® distributor.

**VERDER**  
passion for pumps

