

Coating must not have detectable traces of silicone.

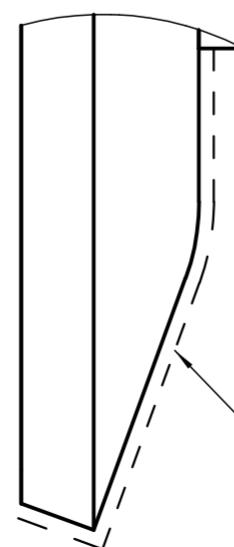
U = 1053<sup>+2</sup><sub>0</sub>

T = 1101

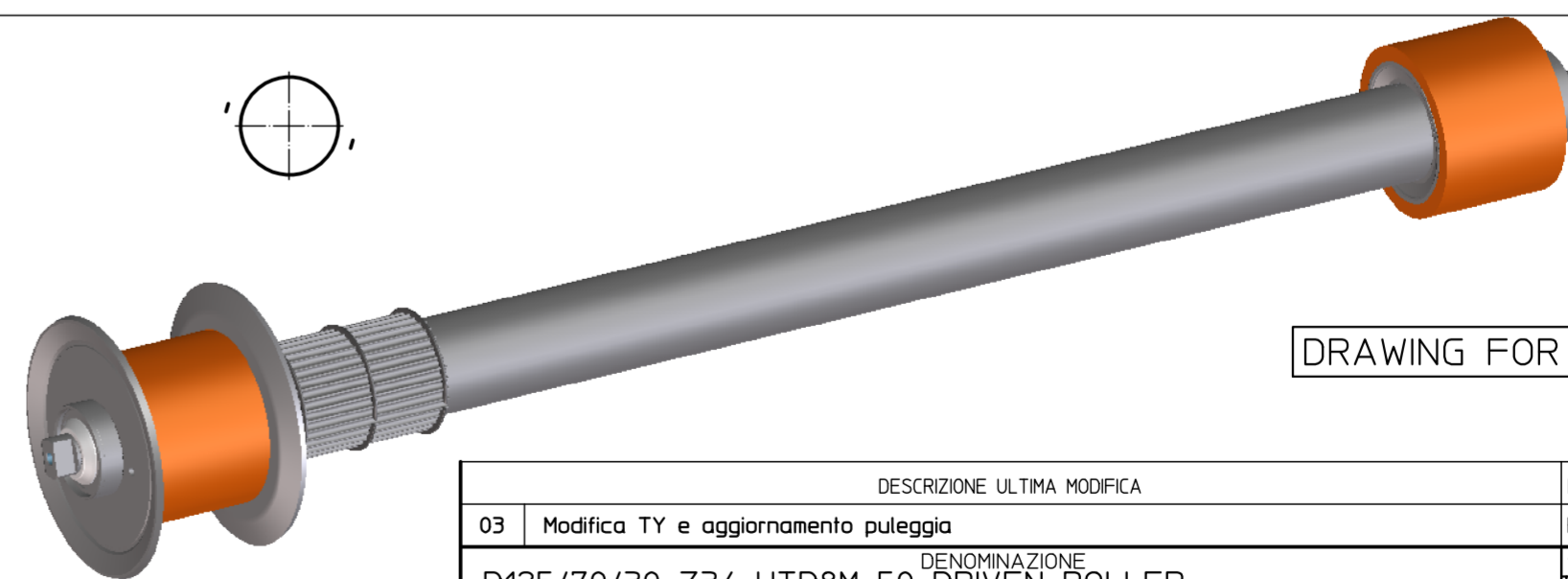
L = 1115<sup>0</sup><sub>0</sub>

A = 1145<sup>0</sup><sub>-1</sub>

1	Tube dia. 70x5 mm EN 10025-S235 or similar/higher.
2	Pulley Z34 HTD 8M-55 Dp=86.58 De=85.22 EN10025-S235 JRG2 and snap rings SP85 DIN 5417 with rounded edge.
3	Axle dia. 30 mm EN 10025-S235 JRG2 with threaded holes M10x20 and milled ends dim. 17x15 mm.
4	Flange dia. 190x6 (hardened) and flange dia. 103x5 mm made by EN 10111 DD11 or similar/higher.
5	Polyurethane coating hardness 95 +/-3 Shore A.
6	Single row rigid radial precision bearings type 6206-2RS lifetime lubrication.



Carbonitring HRC 50-63



DRAWING FOR CUSTOMER

DESCRIZIONE ULTIMA MODIFICA		ESEGUITA	APPROV.
03	Modifica TY e aggiornamento puleggia	Rizza	Gamberini
DENOMINAZIONE		TOLLERANZE DIM. E FORMA:	
D125/70/30 Z34 HTD8M-50 DRIVEN ROLLER		T268-01-00 T268-03-00	
POLYURETHANE COATED - DE190 HARDENED FLANGES		SALDATURE: T287-01-00	
MODIFICHE		DATA	
DIS. Rizza		DATA	SCHEDA N°
CONTR. Rizza	APPROV. Pace	00 01/12/14	3466
SCALA 1:5	PESO -	01 11/10/16	3977
FORM. A2		02 10/02/17	--
DIS.N. 329759V		03 27/04/17	4076
SOSTITUISCE -			