

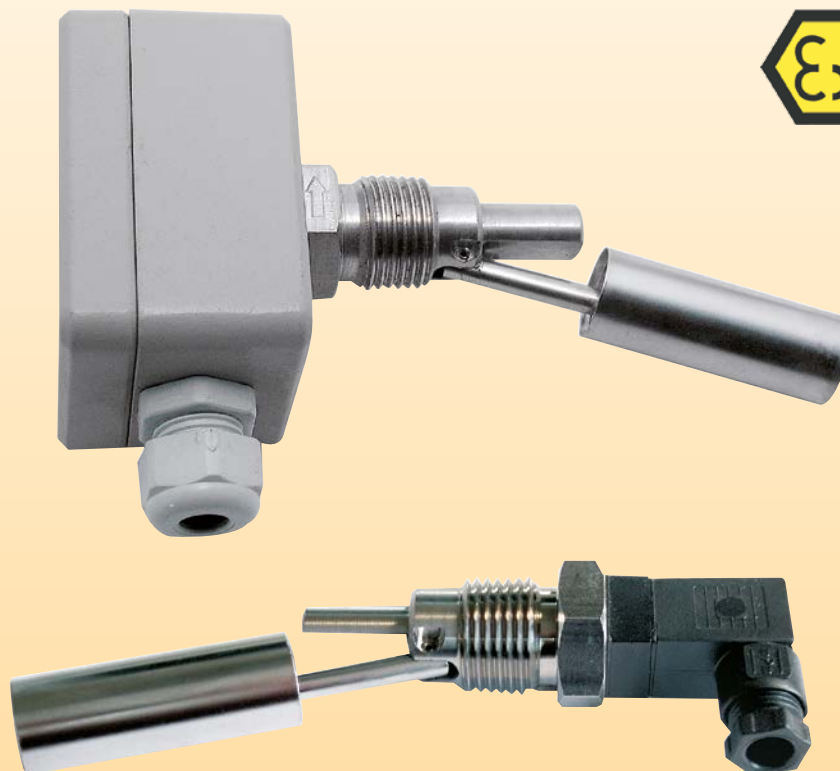


## Level Switch



measuring  
•  
monitoring  
•  
analysing

RFS



- For lateral mounting
- Electr. connection:  
DIN plug or  
aluminium housing connection
- Stainless steel 1.4301
- Can be mounted as  
N/C or N/O contact
- For ATEX applications



N

KOBOLD companies worldwide:

ARGENTINA, AUSTRALIA, AUSTRIA, BELGIUM, BULGARIA, CANADA, CHILE, CHINA, COLOMBIA, CZECHIA, EGYPT, FRANCE, GERMANY, GREAT BRITAIN, HUNGARY, INDIA, INDONESIA, ITALY, MALAYSIA, MEXICO, NETHERLANDS, PERU, POLAND, REPUBLIC OF KOREA, ROMANIA, SINGAPORE, SPAIN, SWITZERLAND, TAIWAN, THAILAND, TUNISIA, TURKEY, USA, VIETNAM

KOBOLD Messring GmbH  
Nordring 22-24  
D-65719 Hofheim/Ts.  
Head Office:  
+49(0)6192 299-0  
+49(0)6192 23398  
info.de@kobold.com  
www.kobold.com

**Description**

The KOBOLD level switches RFS are designed for monitoring filling levels of liquids cost-effectively. The liquid must not contain solids nor metallic particles.

A pivoted stainless steel float with an inserted solenoid moves up and down together with the filling level of the liquid. The solenoid switches a reed contact.

Depending on the mounting position of the device, the contact works as N/O or N/C contact with rising filling level. The devices are delivered for direct lateral mounting in commercially available sleeves.

The following versions are available:

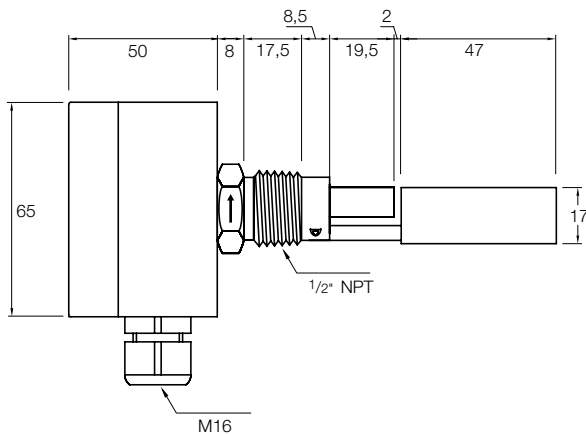
**RFS-1200 N4:** Standard version with plug connection

**RFS-1201 N4:** Standard version with housing connection (aluminium)

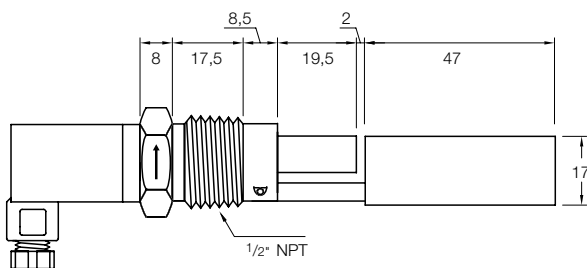
**RFS-12Ex N4:** ATEX version for use in environments with explosion hazards (an additional relay is required for the use in environment with gas explosion hazards)

**Dimensions [mm]**

RFS-1201 N4, RFS-12Ex N4



RFS-1200 N4



**Technical Details**

Medium temperature: -40 °C ... +120 °C

Ambient temperature: -20 °C ... +80 °C  
(RFS-1200 N4 and RFS-1201 N4)  
-20 °C ... +60 °C (RFS-12Ex N4)

Operating pressure: max. 5 bar

Installation position: horizontal

**Materials**

Housing/plug: plastic (RFS-1200 N4)  
aluminium (RFS-1201 N4 and RFS-12Ex N4)

Float: stainless steel 1.4301

Connection: stainless steel 1.4301

Process connection: 1/2" NPT

Electr. connection: DIN plug (RFS-1200 N4)

terminals in the aluminium connection (RFS-1201 and RFS-12Ex)

Contacts: N/O or N/C contact, depending on the mounting position of the device

Switching voltage: max. 240 V<sub>AC</sub> / 300 V<sub>DC</sub>  
(RFS-1200 and RFS-1201)

max. 40 V<sub>DC</sub> (RFS-12Ex)

Switching current: max. 0.5 A

Switching capacity: max. 15 VA  
(RFS-1200 and RFS-1201)

max. 4 VA (RFS-12Ex)

Contact resistance: max. 150 mΩ

Medium density: >0.7 g/cm<sup>3</sup>

Protection: IP65

ATEX marking (RFS-12Ex): II 1 GD Exia II CT6  
(gas)

II 2/1D ExtD A21 IP65 T85°C  
(dust)

**Order Details** (Example: RFS-1200 N4)

Model	Description
RFS-1200 N4	Standard version with plug connection
RFS-1201 N4	Standard version with housing connection (aluminium)
RFS-12Ex N4*	ATEX version for use in environments with explosion hazards

\* An additional relay is required for the use in environment with gas explosion hazards