

Vacuum Switches VS-V-W-D-K(-2C)

Measuring range from -1 bar to 0 bar



Suitability for Industry-Specific Applications



Vacuum switches VS-V-W-D-K(-2C)

Applications

- Vacuum switch for use in vacuum systems for safety monitoring and optimizing cycle times
- Creating control circuits to improve the efficiency of vacuum systems
- The switch can be mounted in panels due to its cubic construction and optional mounting frame with a transparent protective cap
- Can be installed in handling systems directly where it is used thanks to its small design and low weight

Design

- Electronic switch in a stable plastic housing made from polycarbonate
- Switch with either a one- or two-color display
- Connection for measuring vacuum with G1/8" female thread (switch with one-color display) or G1/8" male thread (switch with two-color display)
- Hysteresis and comparator mode
- 2 m connection cable
- Mounting bracket and mounting frame for mounting into switch panel available as accessories

Our Highlights...

- Vacuum switch with a digital display, also available with a two-color display
- All functions are set using an intelligent menu structure
- Integrated automatic setting of switching point
- Anti-chattering function with adjustable response times
- Switch function with freely-adjustable switching points, in either hysteresis or comparator mode

Your Benefits...

- > Clear visual monitoring of the system and the process
- > Fast and easy installation or adjusting any settings
- > Optimal switching points determined automatically using the process parameters and without manual programming
- > Stable switching output even in the event of sudden, brief fluctuations in the main vacuum
- > Optimal adjustment of switching points and output signals

Vacuum Switches



Vacuum Switches VS-V-W-D-K(-2C)

Measuring range from -1 bar to 0 bar

Designation Code Vacuum Switches VS-V-W-D-K(-2C)

Abbreviated designation	Measuring range in bar	Shape	Display	Cable	Display	Switching-function
Example VS-V-W-D-K-2C-PNP:						
VS	V	W	D	K	2C	PNP
VS	V -1 to 0	W cube shape	D digital display	K Cable	2C two-colored display	NPN switches to minus PNP switches to plus

Ordering Data Vacuum Switches VS-V-W-D-K(-2C)

Vacuum switch VS-V-W-D-K(-2C) is delivered as a ready to connect product.

Available accessories: mounting bracket, mounting frame

Vacuum Switches VS-V-W-D-K(-2C)

Type	Part Number
VS-V-W-D-K-NPN	10.06.02.00417
VS-V-W-D-K-PNP	10.06.02.00418
VS-V-W-D-K-2C-NPN	10.06.02.00421
VS-V-W-D-K-2C-PNP	10.06.02.00422

Ordering Data Accessories Vacuum Switches VS-V-W-D-K(-2C)

Type	Mounting bracket*	Mounting frame for mounting into switch panel
VS-V-W-D-K-NPN	10.06.02.00425	10.06.02.00426
VS-V-W-D-K-PNP	10.06.02.00425	10.06.02.00426
VS-V-W-D-K-2C-NPN	10.06.02.00425	10.06.02.00427
VS-V-W-D-K-2C-PNP	10.06.02.00425	10.06.02.00427

*Set comprises two mounting brackets (see accessories design data)

- Schmalz - The Company
- Vacuum Knowledge
- Vacuum Suction Pads
- Special Grippers
- Mounting Elements
- Vacuum Generators
- Valve Technology
- Switches and Monitoring**
- Filters and Connections
- Vacuum Gripping Systems
- Services
- Contact
- Index of Products

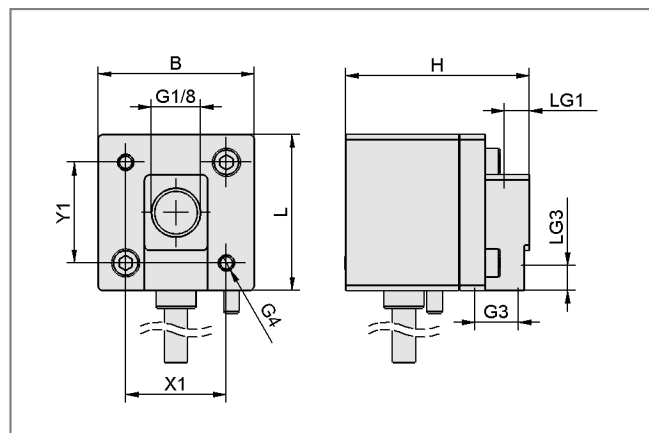
Vacuum Switches VS-V-W-D-K(-2C)

Measuring range from -1 bar to 0 bar

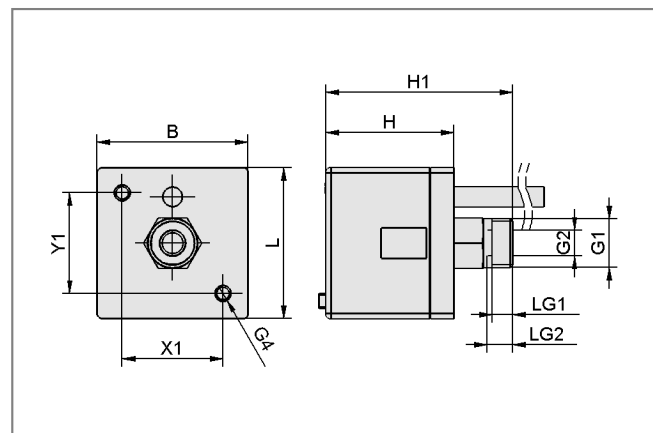
Technical Data Vacuum Switches VS-V-W-D-K(-2C)

Type	VS-V-W-D-K-NPN	VS-V-W-D-K-PNP	VS-V-W-D-K-2C-NPN	VS-V-W-D-K-2C-PNP
Measured medium	Non-aggressive gases; dry, oil-free air	Non-aggressive gases; dry, oil-free air	Non-aggressive gases; dry, oil-free air	Non-aggressive gases; dry, oil-free air
Measuring range	-1...0 bar	-1...0 bar	-1...0 bar	-1...0 bar
Max. overpressure resistance [bar]	3	3	3	3
Repeatability	± 0.2% of max. set value	± 0.2% of max. set value	± 0.2% of max. set value	± 0.2% of max. set value
Hysteresis	Adjustable: 0 to 100% of set value or comparator mode	Adjustable: 0 to 100% of set value or comparator mode	Adjustable: 0 to 100% of set value or comparator mode	Adjustable: 0 to 100% of set value or comparator mode
Output signal	2 digital	2 digital	1 digital	1 digital
Switching capacity [mA]	80	80	125	125
Indication	2xLED	2xLED	-	-
Measured-value display	3-digit 7-segment LED	3-digit 7-segment LED	3-digit 7-segment LED	3-digit 7-segment LED
Electrical connection	Cable	Cable	Cable	Cable
Measured medium connection	Thread G1/8"-F	Thread G1/8"-F	Thread G1/8"-M	Thread G1/8"-M
Voltage	12-24V DC	12-24V DC	12-24V DC	12-24V DC
Current consumption [mA]	55	55	45	45
Protection IP	IP 40	IP 40	IP 40	IP 40
Operating temperature [°C]	0...50 °C	0...50 °C	0...50 °C	0...50 °C
Weight [g]	105	105	75	75

Design Data Vacuum Switches VS-V-W-D-K(-2C)



Vacuum switch VS-V-W-D-K



Vacuum switch VS-V-W-D-K-2C

Type	Dimensions in mm						
	B	G1	G2	G3	G4	H	H1
VS-V-W-D-K	31	G1/8"-F	-	G1/8"-F	M3-F	36.5	-
VS-V-W-D-K-2C	30	G1/8"-M	M5-F	-	M3-F	25.4	37.1

Type	Dimensions in mm					
	L	LG1	LG2	LG3	X1	Y1
VS-V-W-D-K	31	5	-	5	20	20
VS-V-W-D-K-2C	30	4	5	-	20	20

Vacuum Switches

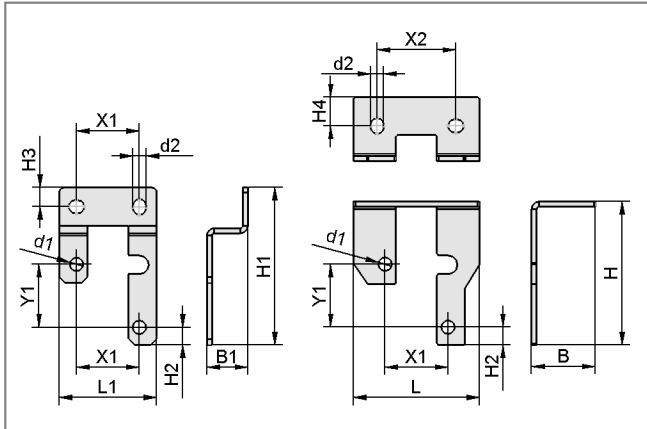


Vacuum Switches VS-V-W-D-K(-2C)

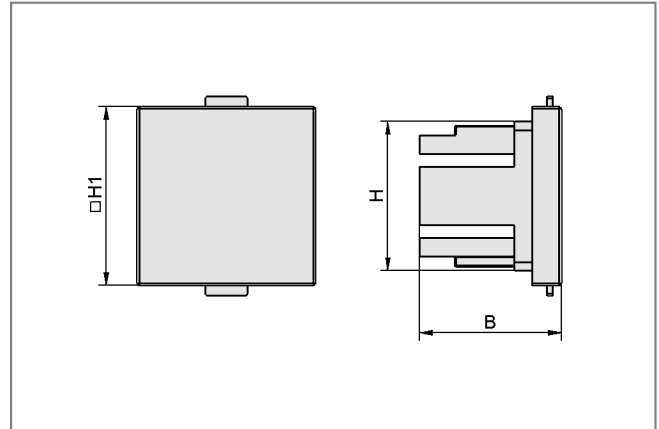
Measuring range from -1 bar to 0 bar



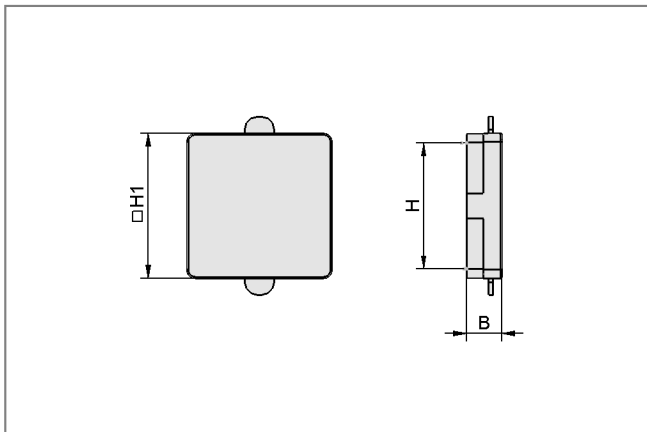
Design Data Accessories Vacuum Switches VS-V-W-D-K(-2C)



Mounting bracket



Mounting frame EINB-RAx33.8x35.4 for VS-V-W-D-K



Mounting frame EINB-RAx8.5x30 for VS-V-W-D-K-2C

Type	Dimensions in mm						
	B	B1	d1	d2	H	H1	H2
Mounting bracket	20	13.0	4.3	4.2	45.5	50.0	6
Mounting frame VS-V-W-D-K	34	-	-	-	35.4	42.5	-
Mounting frame VS-V-W-D-K-2C	9	-	-	-	30.0	34.5	-

Type	Dimensions in mm						
	H3	H4	L	L1	X1	X2	Y1
Mounting bracket	6.1	9.1	40	31	20	25	20
Mounting frame VS-V-W-D-K	-	-	-	-	-	-	-
Mounting frame VS-V-W-D-K-2C	-	-	-	-	-	-	-

Schmalz - The Company

Vacuum Knowledge

Vacuum Suction Pads

Special Grippers

Mounting Elements

Vacuum Generators

Valve Technology

Switches and Monitoring

Filters and Connections

Vacuum Gripping Systems

Services

Contact

Index of Products