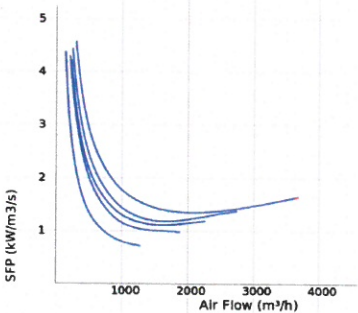
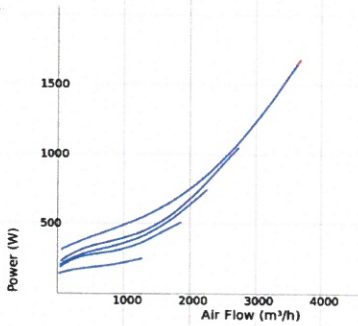
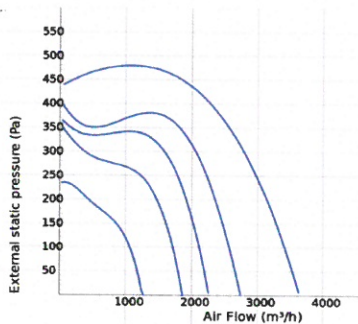


RK 600x300 F3 ErP

- Duct fan with rectangular connections.
- Proven performance and reliability.
- Designed to cope with high pressure and long ducts.
- Impeller with forward curved blades.
- The external rotor motor has maintenance-free sealed ball-bearings.
- Integrated motor protection.
- Junction box has enclosure class IP 54.
- For speed control a transformer can be connected.
- Fan housing is manufactured from galvanized sheet steel.
- Swing-out design to simplify maintenance and cleaning of the impeller.
- The fan is intended to be installed in a duct system.
- A duct connected fan can be installed outside or in damp environments.
- Easy installation in any position.



Voltage steps

1	2	3	4	5
95V	145V	185V	240V	400V

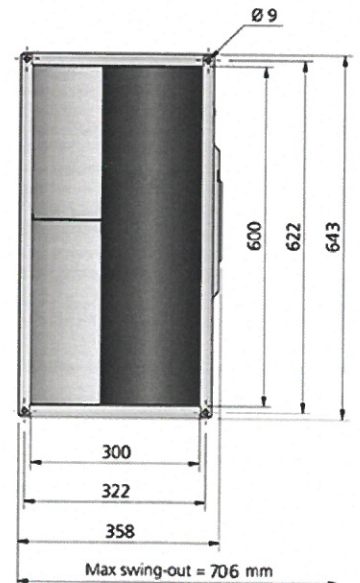
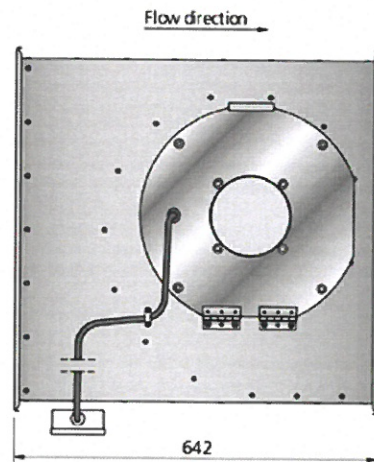
TECHNICAL DATA

7500017 RK 600x300 F3	
Voltage	400 V
Voltage Delta	230 V
Phase	3 ~
Frequency	50 Hz
Optional frequency	60 Hz
Power	1635 W
Current	2.9 A
Current Delta	5.04 A
Speed	1280 r.p.m.
Max. temperature of transported air	40 °C
Max. temperature of transported air when speed controlled	40 °C
Sound pressure level at 3 m	60 dB(A)
Weight	34.0 kg
Enclosure class	54 IP
Insulation class, motor	F
Max. flow	3610.8101102683 m³/h
Max. pressure	538 Pa
Voltage range	380-415 V

SOUND DATA

	Flow (m³/h)	L _{WA} tot dB (A)	63Hz	125Hz	250Hz	500Hz	1KHz	2KHz	4KHz	8KHz
5. Surrounding Lw dB(A) 400V	2570	67	45	53	60	60	61	58	57	54
5. Outlet Lw dB(A) 400V	2570	89	65	75	77	78	82	83	82	77
5. Inlet Lw dB(A) 400V	2570	81	66	72	73	68	74	76	73	69
4. Inlet Lw dB(A) 240V	2218	79	62	71	70	66	72	73	71	66
3. Inlet Lw dB(A) 185V	1973	75	60	68	66	63	68	70	67	62
2. Inlet Lw dB(A) 145V	1631	71	57	64	63	60	64	65	62	56
1. Inlet Lw dB(A) 95V	1134	62	51	55	54	53	55	56	51	40

DIMENSIONS



RK Kit 315 (600x300)

RK Kit to convert RK into RKC, circular duct connection. Contents:

- 2 sections with circular connection
- 8 screws M8 x 20 incl. nuts
- Sealing strip 5 x 10 mm
- Assembly instruction

