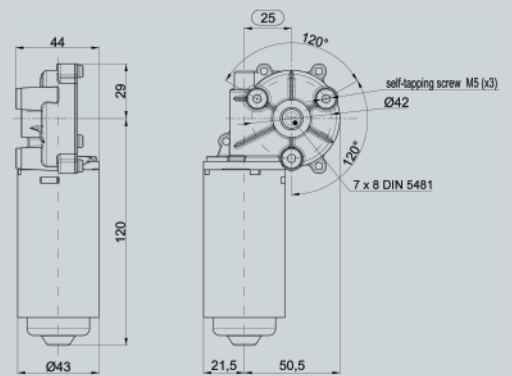
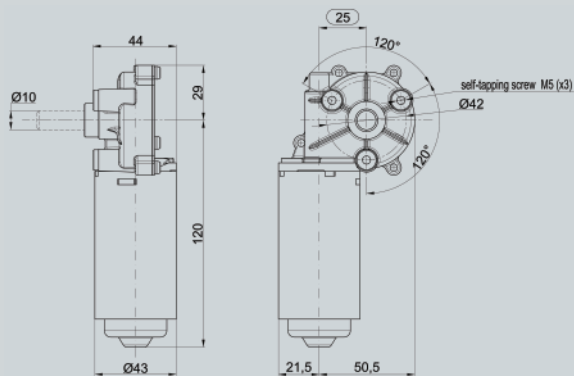


# MR42

**MR42**
**MR62-31**
**MR62-35**
**MR62-43**
**MR76**
**MR90**
**M42**
**M62**
**M76**
**M90**
**Attuatore**
**Microwin**
**Destro / Right**

**Destro / Right**

**Tensione nominale**

 Supply voltage  
*Tension nominal*  
 Nennspannung

**Giri a vuoto (g/min)**

 No load speed (rpm)  
*Tour à vide (T/min)*  
 Leerlaufdrehzahl (U/min)

**Potenza resa**

 Shaft power  
*Puissance active*  
 Nennabgabeleistung

**Accessori**

 Accessories  
*Accessoires*  
 Optionen

<b>12 V</b>	<b>40 ÷ 70</b>	<b>10 ÷ 50 W</b>
<b>24 V</b>	<b>90 ÷ 150</b>	

**Encoder, Filtro EMC, Interruttore termico, Connettore.**

Encoder, Suppressor, Thermal Protection, Connector.

*Codeur, Filtre Antiparassite, Protection Thermique, Connecteur.*

Hall Sensor, Entstörung, Thermoschalter, Stecker.

**Altre prestazioni disponibili su richiesta / Different performances available on request**