



Adjustable Chain Sling 10.18
Center Pull Style 10.4-10.5
Envirolox™ Protective Finish 10.13
Eye Bolts 10.17
Eye Nuts 10.16
Forged Center Pull 10.6-10.7
Hold Down Clips 10.13
Installation Information 10.3
Pivoting Lift Rings 10.16
Quality Standard Information .. 10.19-10.20
Shoulder Eyebolts 10.15
Side-Pull Style 10.8-10.9
Side Swivel 10.12
SP 2000 Side-Pull Style 10.10-10.11
Swivel Eyebolts 10.14-10.15

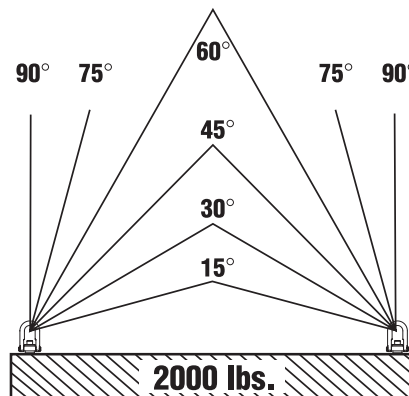
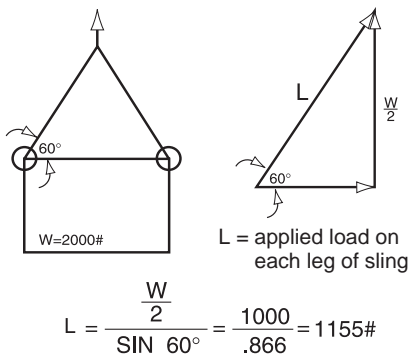
Engineer The Lift!!

- Jergens recommends the use of swiveling and pivoting hoist rings, rather than conventional eye bolts.
- Are you using the proper hoist ring for the application?
- Is the hoist ring free to swivel and pivot? Any movement restrictions?
- Are lifting hole(s) in the proper location?
- Do you have the correct hole size for the hardware - safe lift capacity?
- Are the holes tapped deep enough to assure full thread engagement?
(See figure #3 on Installation Information; page 10.3.)
- Recommended hole depth:
 - Steel – 1-1/2 times the bolt diameter (min.)
 - Aluminum – 2 times the bolt diameter (min.)
- **RULE OF THUMB, IF IN DOUBT – DON'T!!!**

Applied Load Changes With Sling Angle

Jergens hoist rings are designed and rated to be pulled at any angle at the rated load. However, the applied load on a multipoint lift will increase if the sling angle is less than 90°. So be sure to consider the sling angle when selecting lifting equipment. See illustration below.

Sample Calculation:



Sling Angle (Degrees)	Applied Load (Pounds)
90	1000
75	1040
60	1155
45	1410
30	2000
15	3860

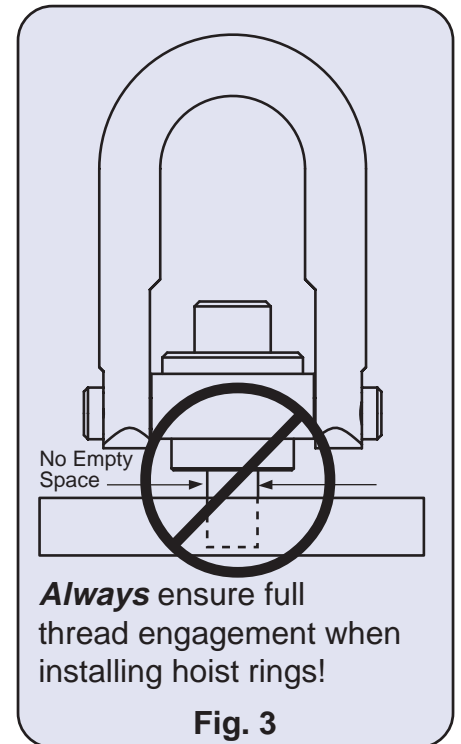
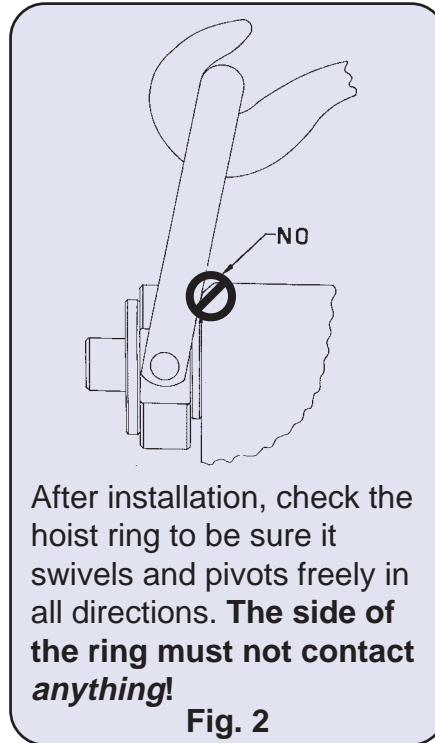
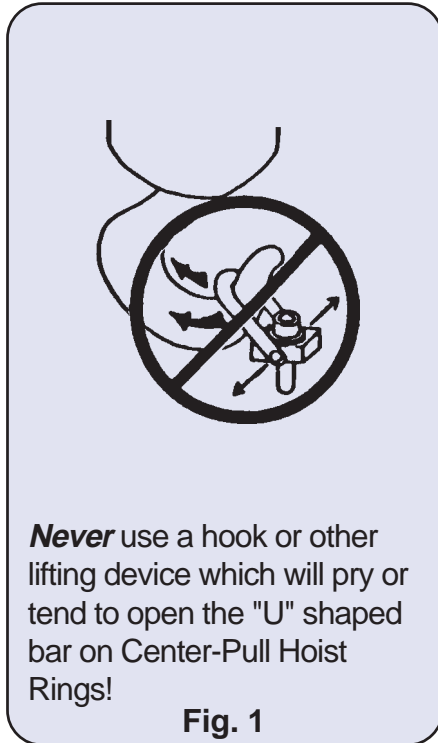
DO'S

1. Observe working load limitations (be especially careful with eyebolts used for angle lifts – see sling angle chart).
2. Visually inspect hoist ring prior to use.
3. Fully tighten hoist ring to recommended torque. Full thread engagement is required (no space between swivel bushing and lift).
4. Assure proper thread depth - do not shim.
5. Make sure hoist rings have free travel - it must swivel and pivot without restrictions.
6. When installing in soft metal, such as aluminum, the minimum effective thread engagement should be two times the diameter of the thread (1-1/2 times bolt diameter – steel).

DON'TS

1. Never pull a Center Pull Style hoist ring from the side.
2. Never use an oversized hook in eyebolts or hoist rings (See figure #1 on Installation Information; page 10.3).
3. Never use excessive sling angle.
4. Never steam clean or degrease hoist rings (could cause rusting and binding).
5. Never apply shock loads.
6. Never allow the side of a hoist ring to make contact with the lift. (See figure #2 on Installation Information; page 10.3.)

Installation Information



Select the proper Hoist Ring for the job. Do not attempt to apply more than the rated load capacity. *The load capacity is marked on the Hoist Ring.*

Drill and tap the workpiece so that the hoist ring bolt is installed perpendicular to the surface of the workpiece. Countersink the tapped hole to prevent "swelling" of the top thread when the hoist ring bolt is torqued. The workpiece surface must be flat, providing complete contact for the hoist ring bushing.

Do not use spacers between the hoist ring bushing and the workpiece surface.

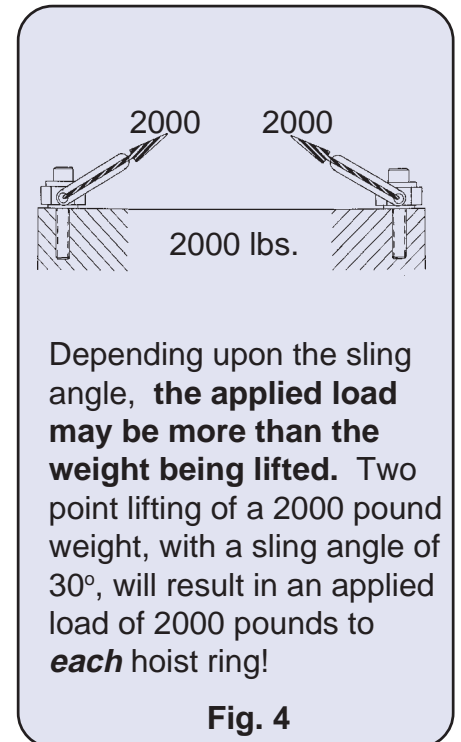
When installing in soft metal, such as aluminum, the minimum effective thread engagement should be two times the diameter of the thread. When installing in steel, thread engagement should be 1-1/2 times the thread diameter.

Always tighten the bolt to the proper torque value, which is stamped on the Hoist Ring.

Loosening of the *bolt* may develop during use. *Re-tightening to the required torque must be done whenever the bolt loosens.* The proper tightening torque is stamped on the Hoist Ring.

When lifting, apply force gradually. **DO NOT APPLY SHOCK LOADS.**

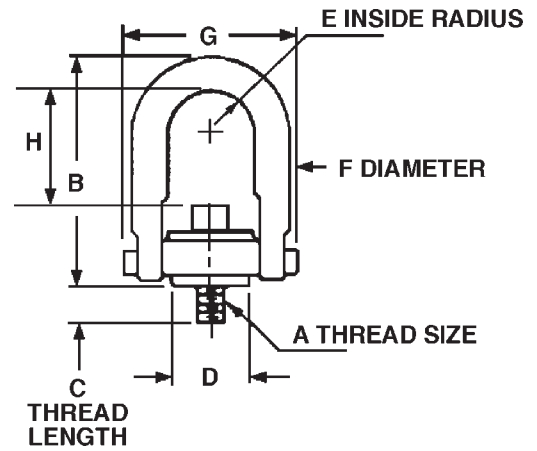
For through-hole applications, be sure that nut/washer are the same quality grade as the Hoist Ring.



Center-Pull Traditional Style



- Full 360° Swivel and 180° Pivot Action
- Rated at 5:1 Strength Factor
- Material: Alloy Steel
- Finish: Black Oxide (Except Washer)
- U-Bar, Bolt, Pins, Base, Washer and Bushing are Magnetic Particle Inspected
- Washer: Zinc Plated with Gold Colored (Inch), Clear/Blue (Metric) Conversion Coating
- Proof Tested to 200% of Rated Load Capacity
- Certificate of Proof Test provided (See sample on page 10.17)
- 3D Solid Models available in multiple formats from www.jergensinc.com
- Available with **Envirolox™** protective finish. See page 10.13 for more information.



Thread Size A	Load ¹ Capacity (lbs)	Std. U-Bar		Long U-Bar		Envirolox Part Number ³	Thread Length C	D	E	F	G	Std. U-Bar H	Long U-Bar H	Torque ² (ft. lbs)	Wt. (lbs)
		Part Number	B	Part Number	B										
5/16-18	800	23406	2.67	—	—	23306	9/16	.75	.43	.38	1.84	1 1/4	—	7	.3
3/8-16	1000	23408	2.67	—	—	23308	9/16	.75	.43	.38	1.84	1 1/4	—	12	.3
1/2-13	2500	23410	3.75	—	—	23310	1 1/16	1.20	.69	.50	2.56	1 25/32	—	28	1.0
1/2-13	2500	23411	4.78	23511	6.72	23311	3/4	1.50	.88	.75	3.52	2 3/8	4 1/4	28	2.5
1/2-13	2500	23412	4.78	23512	6.72	23312	1	1.50	.88	.75	3.52	2 3/8	4 1/4	28	2.5
1/2-13	2500	23413	4.78	23513	6.72	23313	1 1/4	1.50	.88	.75	3.52	2 3/8	4 1/4	28	2.5
5/8-11	4000	23414	4.78	23514	6.72	23314	1	1.50	.88	.75	3.52	2 1/4	4 3/16	60	2.7
5/8-11	4000	23415	4.78	23515	6.72	23315	1 1/4	1.50	.88	.75	3.52	2 1/4	4 3/16	60	2.7
3/4-10	5000	23417	4.78	23517	6.72	23317	1	1.50	.88	.75	3.52	2 1/8	4	100	3.0
3/4-10	5000	23418	4.78	23518	6.72	23318	1 1/2	1.50	.88	.75	3.52	2 1/8	4	100	3.0
3/4-10	7000	23420	6.52	23520	8.11	23320	1	2.31	1.40	1.00	5.14	2 15/16	4	100	7.0
3/4-10	7000	23421	6.52	23521	8.11	23321	1 1/2	2.31	1.40	1.00	5.14	2 15/16	4	100	7.0
7/8-9	8000	23423	6.52	23523	8.11	23323	1	2.31	1.40	1.00	5.14	2 13/16	4 3/8	160	7.0
7/8-9	8000	23424	6.52	23524	8.11	23324	1 1/4	2.31	1.40	1.00	5.14	2 13/16	4 3/8	160	7.0
1-8	10000	23425	6.52	23525	8.11	23325	1 1/4	2.31	1.40	1.00	5.14	2 11/16	4 3/8	230	7.5
1-8	10000	23426	6.52	23526	8.11	23326	1 1/2	2.31	1.40	1.00	5.14	2 11/16	4 3/8	230	7.5
1-8	10000	23427	6.52	23527	8.11	23327	2 1/4	2.31	1.40	1.00	5.14	2 11/16	4 3/8	230	7.5
1 1/4-7	15000	23429	8.73	—	—	23329	1 7/8	3.19	1.75	1.25	6.50	4 1/4	—	470	14
1 1/4-8	15000	23429-08	8.73	—	—	—	1 7/8	3.19	1.75	1.25	6.50	4 1/4	—	470	14
1 1/2-6	24000	23433	12.47	—	—	23333	2 3/4	4.19	2.25	1.75	8.55	6 1/2	—	800	33
1 1/2-8	24000	23433-08	12.47	—	—	—	2 3/4	4.19	2.25	1.75	8.55	6 1/2	—	800	33
2-4 1/2	30000	23435	12.47	—	—	23335	3 1/8	4.19	2.25	1.75	8.55	6	—	800	36
2-8	30000	23435-08	12.47	—	—	—	3 1/8	4.19	2.25	1.75	8.55	6	—	800	36
2 1/2-4	50000	23438	16.50	—	—	23338	4	5.75	3	2.25	11.72	8 1/4	—	2100	89
2 1/2-8	50000	23438-08	16.50	—	—	—	4	5.75	3	2.25	11.72	8 1/4	—	2100	89

¹ Stated load capacity based on recommended thread torques as shown in chart.

² It is recommended that these torques be used when installing hoist rings.

³ Available from stock as Standard Clevis.

Center-Pull Traditional Style Metric

Thread Size A	Load ¹ Capacity (kg)	Std. U-Bar		Long U-Bar		Envirolox	Thread Length C	D	E	F	G	Std. U-Bar H	Long U-Bar H	Torque ² (kg•m)	Wt. (kg)
		Part Number	B	Part Number	B	Part Number ³									
M8x1.25	400	23456	67.8	—	—	23356	12.5	19.0	10.9	9.7	46.7	32	—	1.0	.17
M10x1.50	450	23458	67.8	—	—	23358	17.5	19.0	10.9	9.7	46.7	30	—	1.7	.17
M12x1.75	1050	23462	123.0	23562	170.7	23362	19.0	38.1	22.4	19.0	89.4	60.5	108	3.8	1.08
M16x2.0	1900	23465	123.0	23565	170.7	23365	29.0	38.1	22.4	19.0	89.4	56.5	106	8.2	1.12
M20x2.5	2150	23468	123.0	23568	170.7	23368	34.0	38.1	22.4	19.0	89.4	52.5	101	13.6	1.19
M20x2.5	3000	23471	163.0	23571	206.0	23371	32.0	58.7	35.6	25.4	130.6	73	101	13.6	3.03
M24x3.0	4200	23474	163.0	23574	206.0	23374	37.0	58.7	35.6	25.4	130.6	69	111	31.0	3.10
M30x3.5	7000	23478	221.7	—	—	23378	46.0	81.0	44.5	31.7	165.1	107.4	—	60.0	6.3
M30x3.5	7000	23479	221.7	—	—	23379	66.0	81.0	44.5	31.7	165.1	107.4	—	60.0	6.4
M36x4.0	11000	23483	316.7	—	—	23383	68.0	106.4	57.2	44.4	217.2	166.5	—	100.0	15.5
M42x4.5	12500	23484	316.7	—	—	23384	68.0	106.4	57.2	44.4	217.2	160.5	—	100.0	16.0
M48x5.0	13500	23485	316.7	—	—	23385	88.0	106.4	57.2	44.4	217.2	154.5	—	100.0	16.8
M64x6.0	22500	23488	419.1	—	—	23388	96.0	146.0	76.2	57.15	297.6	210	—	290.0	40.0

All dimensions are in millimeters.

¹ Stated load capacity is based upon specific thread torques shown in chart.

² It is recommended that these torques be used when installing hoist rings.

³ Available from stock as Standard Clevis.

Bolt Replacement Kits - Inch threads

Black Oxide Hoist Rings			Envirolox Coated		Kit Wt. (lbs)
Std. U-Bar Part No.	Long U-Bar Part No.	Bolt Kit Part No.	Std. U-Bar Part No.	Bolt Kit Part No.	
23406		23606	23306	23606-E	.03
23408		23608	23308	23608-E	.05
23410		23610	23310	23610-E	.16
23411	23511	23611	23311	23611-E	.14
23412	23512	23612	23312	23612-E	.16
23413	23513	23613	23313	23613-E	.17
23414	23514	23614	23314	23614-E	.27
23415	23515	23615	23315	23615-E	.29
23417	23517	23617	23317	23617-E	.40
23418	23518	23618	23318	23618-E	.46
23420	23520	23620	23320	23620-E	.46
23421	23521	23621	23321	23621-E	.52
23423	23523	23623	23323	23623-E	.62
23424	23524	23624	23324	23624-E	.66
23425	23525	23625	23325	23625-E	.92
23426	23526	23626	23326	23626-E	.97
23427	23527	23627	23327	23627-E	1.13
23429		23629	23329	23629-E	2.90
23429-08		23629-08			2.90
23433		23633	23333	23633-E	3.50
23433-08		23633-08			3.50
23435		23635	23335	23635-E	7.30
23435-08		23635-08			7.30
23438		23638	23338	23638-E	15.66
23438-08		23638-08			15.96

Bolt Replacement Kits - Metric threads

Black Oxide Hoist Rings			Envirolox Coated		Kit Wt. (kg)
Std. U-Bar Part No.	Long U-Bar Part No.	Bolt Kit Part No.	Std. U-Bar Part No.	Bolt Kit Part No.	
23456		23656	23356	23656-E	.02
23458		23658	23358	23658-E	.03
23462	23562	23662	23362	23662-E	.06
23465	23565	23665	23365	23665-E	.12
23468	23568	23668	23368	23668-E	.21
23471	23571	23671	23371	23671-E	.23
23474	23574	23674	23374	23674-E	.40
23478		23678	23378	23678-E	.79
23479		23679	23379	23679-E	.91
23483		23683	23383	23683-E	1.52
23484		23684	23384	23684-E	2.75
23485		23685	23385	23685-E	3.27
23488		23688	23388	23688-E	7.12

Bolt Kits contain bolt and retaining ring.

Forged Center Pull

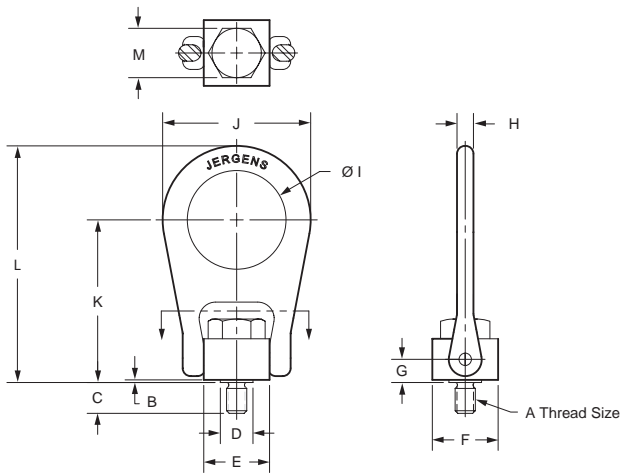


Our new Forged Center Pull Hoist Ring integrates a solid center brace lift bail into our most popular style product. This design eliminates the possibility of spreading the lift ring in misapplications. Forged hoist rings are ideal for OEM and industrial use.

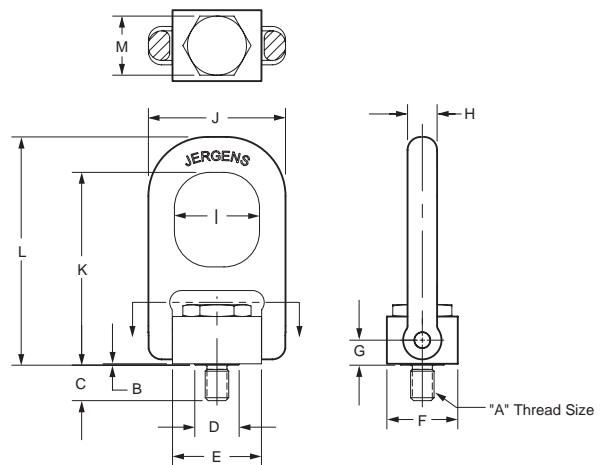
- Full (over center) 360° swivel and 180° pivot action
- Capacities up to 30,000 lbs.
- Inch and metric
- 5:1 strength factor-alloy steel
- Made in U.S.A.
- 3D Solid Models available in multiple formats from www.jergensinc.com



U.S. Patent No. 6,652,012



Ring Bail



Large Bail

Inch

Part Number	Load Capacity (lbs)	Thread Size A	B	C	D	E	F	G	H	I	J	K	L	Hex Size M	Torque (ft.lbs)	Weight (lbs)
23906	800	5/16-18	3/64	15/32	1/2	1	1	11/32	1/4	1 1/2	2 1/4	2 15/32	3 19/32	3/4	7	0.6
23907	800	5/16-18	3/64	5/8	1/2	1	1	11/32	1/4	1 1/2	2 1/4	2 15/32	3 19/32	3/4	7	0.6
23908	1000	3/8-16	3/64	9/16	1/2	1	1	11/32	1/4	1 1/2	2 1/4	2 15/32	3 19/32	3/4	12	0.6
23909	1000	3/8-16	3/64	3/4	1/2	1	1	11/32	1/4	1 1/2	2 1/4	2 15/32	3 19/32	3/4	12	0.6
23910	2500	1/2-13	1/16	11/16	1	2	1 1/2	9/16	3/4	3	4 7/16	4	6 3/8	1 1/4	28	3.6
23911	2500	1/2-13	1/16	1	1	2	1 1/2	9/16	3/4	3	4 7/16	4	6 3/8	1 1/4	28	3.6
23914	4000	5/8-11	1/16	15/16	1	2	1 1/2	9/16	3/4	3	4 7/16	4	6 3/8	1 1/4	60	3.6
23915	4000	5/8-11	1/16	1 1/4	1	2	1 1/2	9/16	3/4	3	4 7/16	4	6 3/8	1 1/4	60	3.6
23917	5000	3/4-10	1/16	1 1/8	1	2	1 1/2	9/16	3/4	3	4 7/16	4	6 3/8	1 1/4	100	3.6
23918	5000	3/4-10	1/16	1 1/2	1	2	1 1/2	9/16	3/4	3	4 7/16	4	6 3/8	1 1/4	100	3.6
23926	10000	1-8	1/16	1 1/2	1 7/8	3 25/32	3	1 1/16	1 1/4	3 19/32	5 13/16	8 5/32	9 21/32	2 1/2	230	15.7
23927	10000	1-8	1/16	2	1 7/8	3 25/32	3	1 1/16	1 1/4	3 19/32	5 13/16	8 5/32	9 21/32	2 1/2	230	15.9
23929	15000	1 1/4-7	1/16	1 7/8	1 7/8	3 25/32	3	1 1/16	1 1/4	3 19/32	5 13/16	8 5/32	9 21/32	2 1/2	470	16.0
23930	15000	1 1/4-7	1/16	2 1/2	1 7/8	3 25/32	3	1 1/16	1 1/4	3 19/32	5 13/16	8 5/32	9 21/32	2 1/2	470	16.2
23933	24000	1 1/2-6	7/64	2 1/4	2 1/2	4 7/8	4 1/2	1 7/16	1 3/4	4 1/2	7 23/32	11 7/16	13 27/32	3 1/4	800	42.3
23934	24000	1 1/2-6	7/64	3	2 1/2	4 7/8	4 1/2	1 7/16	1 3/4	4 1/2	7 23/32	11 7/16	13 27/32	3 1/4	800	42.7
23935	30000	2-4 1/2	7/64	3	2 1/2	4 7/8	4 1/2	1 7/16	1 3/4	4 1/2	7 23/32	11 7/16	13 27/32	3 1/4	800	43.8
23936	30000	2-4 1/2	7/64	4	2 1/2	4 7/8	4 1/2	1 7/16	1 3/4	4 1/2	7 23/32	11 7/16	13 27/32	3 1/4	800	44.7

Ring Bail



Ring Bail

Part Numbers:

23906 thru 23918 (Inch)

23956 thru 23968 (Metric)

Large Bail



Large Bail

Part Numbers:

23926 thru 23936 (Inch)

23974 thru 23987 (Metric)

- Replace Stationary Eyebolt
- Lifting Tooling Columns & Large Fixtures
- OEM Applications
- Lifting Die & Molds

Metric

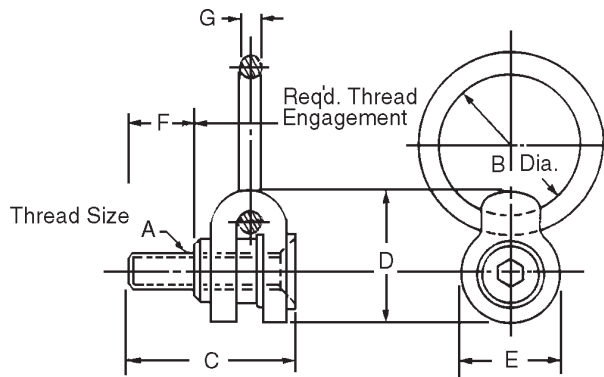
Part Number	Load Capacity (kg)	Thread Size A	B	C	D	E	F	G	H	I	J	K	L	Hex Size M	Torque (N•m)	Weight (kg)
23956	400	M8 X 1.25	1.2	12	12.7	25.4	25.4	8.7	6.3	38.1	57.2	62.7	91.3	19	10	0.27
23958	450	M10 X 1.5	1.2	15	12.7	25.4	25.4	8.7	6.3	38.1	57.2	62.7	91.3	19	17	0.27
23962	1050	M12 X 1.75	1.6	18	25.4	50.8	38.1	14.3	19	76.2	112.7	101.6	161.9	32	37	1.64
23965	1900	M16 X 2.0	1.6	24	25.4	50.8	38.1	14.3	19	76.2	112.7	101.6	161.9	32	80	1.64
23968	2150	M20 X 2.5	1.6	30	25.4	50.8	38.1	14.3	19	76.2	112.7	101.6	161.9	32	134	1.7
23974	4200	M24 X 3.0	1.6	35.7	47.6	96.0	76.2	27.0	26.7	91.3	147.6	207.2	245.3	63.5	305	7.1
23975	4200	M24 X 3.0	1.6	47.6	47.6	96.0	76.2	27.0	26.7	91.3	147.6	207.2	245.3	63.5	305	7.2
23978	7000	M30 X 3.5	1.6	44.8	47.6	96.0	76.2	27.0	26.7	91.3	147.6	207.2	245.3	63.5	590	7.3
23979	7000	M30 X 3.5	1.6	60.0	47.6	96.0	76.2	27.0	26.7	91.3	147.6	207.2	245.3	63.5	590	7.4
23982	11000	M36 X 4.0	2.8	53.6	63.5	123.8	114.3	36.5	44.5	114.3	196.1	290.5	351.6	28.7	960	19.1
23983	11000	M36 X 4.0	2.8	71.4	63.5	123.8	114.3	36.5	44.5	114.3	196.1	290.5	351.6	28.7	960	19.3
23984	12500	M42 X 4.5	2.8	62.7	63.5	123.8	114.3	36.5	44.5	114.3	196.1	290.5	351.6	28.7	980	19.4
23985	12500	M42 X 4.5	2.8	83.3	63.5	123.8	114.3	36.5	44.5	114.3	196.1	290.5	351.6	28.7	980	19.6
23986	13500	M48 X 5.0	2.8	71.4	63.5	123.8	114.3	36.5	44.5	114.3	196.1	290.5	351.6	28.7	980	19.7
23987	13500	M48 X 5.0	2.8	95.3	63.5	123.8	114.3	36.5	44.5	114.3	196.1	290.5	351.6	28.7	980	20.0

Side-Pull Traditional Style Precision Cast Body



- Rated at 5:1 Strength Factor
- Material: Alloy Steel
- Clevis, Ring, Bushing and Cap Screw are magnetic particle inspected
- Clevis is x-rayed
- Finish: Black Oxide
- Bushing: Zinc Plated with conversion coating, yellow (inch), clear blue (metric)
- Proof Tested to 200% of Rated Load Capacity
- 3D Solid Models available in multiple formats from www.jergensinc.com
- Available with Envirolox™ protective finish. See page 10.13 for more information.

360° swivel plus pivot point moves around bolt to provide greater clearances in side lifting and when lifting rotating objects.



Inch

Part Number	Envirolox Part Number	Load ¹ Capacity (lbs)	A	B	C	D	E	F	G	Torque ² (ft. lbs)	Wt. (lbs)
47311	47311-E	650	5/16-18	2	2 1/8	2	1 1/2	5/8	3/8	3.5	.25
47312	47312-E	800	3/8-16	2	2 3/8	2	1 1/2	3/4	3/8	4.5	.25
47313	47313-E	1800	1/2-13	3	3 3/8	3 3/16	2 3/8	1	5/8	15.0	3.25
47314	47314-E	2500	5/8-11	3	3 5/8	3 3/16	2 3/8	1 1/4	5/8	25.0	3.25
47315	47315-E	4100	3/4-10	4	5	5	3 3/4	1 1/2	1	50.0	11.25
47316	47316-E	7100	1-8	4	5 3/8	5	3 3/4	2	1	90.0	11.50
47317	47317-E	14000	1 1/4-7	6	6 7/8	6 13/16	4 5/8	2	1 3/8	150.0	27.75
47317-08		14000	1 1/4-8	6	6 7/8	6 13/16	4 5/8	2	1 3/8	150.0	27.75
47318	47318-E	17200	1 1/2-6	6	7 7/8	6 13/16	4 5/8	2 1/2	1 3/8	250.0	31.50
47318-08		17200	1 1/2-8	6	7 7/8	6 13/16	4 5/8	2 1/2	1 3/8	250.0	31.50
47319	47319-E	29000	2-4 1/2	5 1/4 x 10 1/2	10	6 13/16	4 5/8	3 1/8	1 1/2	300.0	42.00
47319-08		29000	2-8	5 1/4 x 10 1/2	10	6 13/16	4 5/8	3 1/8	1 1/2	300.0	42.00

¹ Stated load capacity based on specific thread torques as shown in chart.

² It is recommended that these torques be used when installing hoist rings.

Side-Pull Traditional Style Precision Cast Body

Metric

Part Number	Envirolox Part Number	Load ¹ Capacity (kg)	A	B	C	D	E	F	G	Torque ² (kg-M)	Wt. (kg)
47351	47351-E	325	M 8 x 1.25	50.8	61.0	50.8	38.1	16.0	9.5	.43	.12
47352	47352-E	500	M 10 x 1.50	50.8	63.0	50.8	38.1	20.0	9.5	.60	.12
47353	47353-E	725	M 12 x 1.75	76.2	85.0	81	60.3	24.0	15.9	2.00	1.5
47354	47354-E	1400	M 16 x 2.0	76.2	94.0	81	60.3	31.0	15.9	3.50	1.5
47355	47355-E	2290	M 20 x 2.5	101.6	133.0	125.4	95.3	40.0	25.4	7.00	5.1
47356	47356-E	3050	M 24 x 3.0	101.6	147.0	125.4	95.3	47.0	25.4	12.50	5.2
47357	47357-E	4850	M 30 x 3.5	152.0	173.8	173.0	117.5	49.0	31.7	34.6	12.6
47358	47358-E	7500	M 36 x 4.0	152.0	191.0	173.0	117.5	67.5	35.0	55.0	14

All dimensions are in millimeters.

¹Stated load capacity based on specific thread torques as shown in charts.

²It is recommended that these torques be used when installing hoist rings.

Bolt Replacement Kits

Inch Thread

Hoist Ring Part No.	Bolt Kit Part No.	Envirolox Bolt Kit Part No.	Thread Size	Wt. (lbs)
47311	47341	47341-E	5/16-18	.05
47312	47342	47342-E	3/8-16	.06
47313	47343	47343-E	1/2-13	.17
47314	47344	47344-E	5/8-11	.28
47315	47345	47345-E	3/4-10	.59
47316	47346	47346-E	1-8	1.27
47317	47347	47347-E	1 1/4-7	2.50
47317-08	47347-08		1 1/4-8	2.50
47318	47348	47348-E	1 1/2-6	4.70
47318-08	47348-08		1 1/2-8	4.70
47319	47349	47349-E	2-4 1/2	9.50
47319-08	47349-08		2-8	9.50

Metric Thread

Hoist Ring Part No.	Bolt Kit Part No.	Envirolox Bolt Kit Part No.	Thread Size	Wt. (kg)
47351	47391	47391-E	M 8	.02
47352	47392	47392-E	M 10	.03
47353	47393	47393-E	M 12	.07
47354	47394	47394-E	M 16	.14
47355	47395	47395-E	M 20	.32
47356	47396	47396-E	M 24	.53
47357	47397	47397-E	M 30	1.03
47358	47398	47398-E	M 36	2.0

Bolt Kits contain bolt and retaining ring.

Bolt Kits with -E are for use with Envirolox Hoist Rings.

- See page 10.13 for Hoist Ring hold down clips.

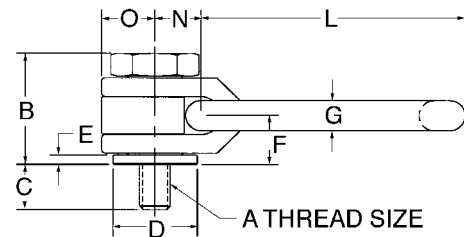
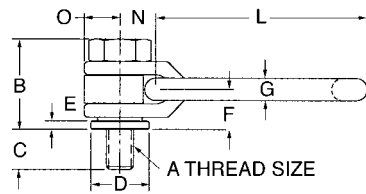
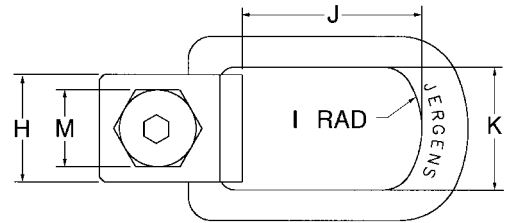
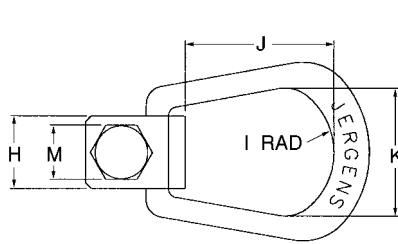
SP 2000™ Side-Pull Style Extruded Body



The Jergens SP2000 Side-Pull Style Hoist Ring is ideal for flipping fixtures, dies and molds. It swivels 360° and pivots around the center bolt providing the ring with greater clearances in side lifting applications and when lifting rotating objects. The hoist ring is low profile and has a unique bolt retention design. The oversized forged ring, and single piece forging, easily adapts to larger hoist hooks. Its relatively light weight makes it easier to handle than similar hoist rings and the installation is conveniently done with external wrenching (47531, 47532) or internal/external wrenching (all other sizes). All parts are made in the U.S.A.

- Can Be Used for Top Lifting as well as side lifting applications
- Full Swivel & Pivot Action
- Rated at 5:1 strength factor
- Material: Alloy Steel
- Finish: Black Oxide
- Proof Tested to 200% of Rated Load Capacity
- Available in Metric sizes. See next page.
- 3D Solid Models available in multiple formats from www.jergensinc.com

Patent Nos. 6,068,310
and 409,895



External Wrench Mounting
Part Numbers: 47531 & 47532

Internal/External Wrench Mounting
Part Numbers: 47533 thru 47539

Inch Threads

Part Number	Load Capacity (lbs)	Thread Size A	B	C	D	E	F	G	H	I	J	K	L	M	N	O	Torque (ft. lbs)	Hex Size	Wt. (lbs)
47531	650	5/16-18	1 9/32	15/32	13/16	1/8	9/16	5/16	1	1	2 1/16	1 3/4	3	3/4	1/2	1/2	4	—	.5
47532	800	3/8-16	1 9/32	5/8	13/16	1/8	9/16	5/16	1	1	2 1/16	1 3/4	3	3/4	1/2	1/2	5	—	.5
47533	1800	1/2-13	1 7/8	3/4	1 3/8	5/32	13/16	1/2	1 3/4	1 1/2	3 3/8	2	4 3/4	1 1/4	3/4	7/8	15	1/4	2
47534	2500	5/8-11	1 7/8	15/16	1 3/8	5/32	13/16	1/2	1 3/4	1 1/2	3 3/8	2	4 3/4	1 1/4	3/4	7/8	25	5/16	2
47535	4100	3/4-10	2 5/16	1 1/8	1 7/8	1/4	1 1/32	5/8	2 1/4	2	4	2 5/8	5 11/16	1 3/4	1	1 1/8	50	3/8	4
47536	7100	1-8	2 5/16	1 1/2	1 7/8	1/4	1 1/32	5/8	2 1/4	2	4	2 5/8	5 11/16	1 3/4	1	1 1/8	130	1/2	4.5
47537	14000	1 1/4-7	3 9/16	1 7/8	3 1/4	23/64	1 21/32	1 1/16	3 3/4	3	7 11/16	4 3/8	10 7/16	3	1 5/16	1 7/8	150	3/4	20
47538	17200	1 1/2-6	3 9/16	2 1/4	3 1/4	23/64	1 21/32	1 1/16	3 3/4	3	7 11/16	4 3/8	10 7/16	3	1 5/16	1 7/8	250	3/4	20
47539	29000	2-4 1/2	3 9/16	3	3 1/4	23/64	1 21/32	1 1/16	3 3/4	3	7 11/16	4 3/8	10 7/16	3	1 5/16	1 7/8	300	3/4	22

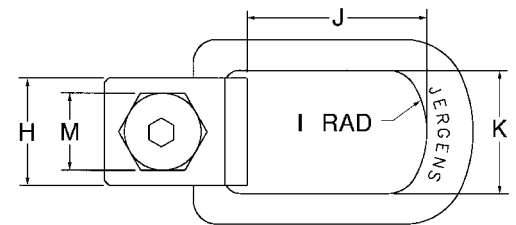
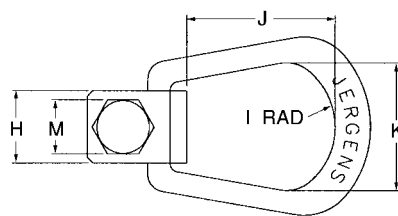
SP 2000™ Side-Pull
Metric - Extruded Body



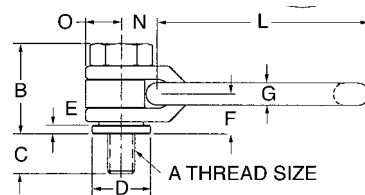
SIDE PULL APPLICATION



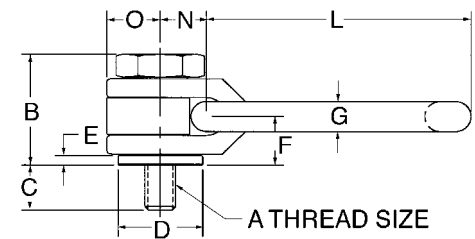
TOP PULL APPLICATION



Patent Nos. 6,068,310
and 409,895



External Wrench Mounting
Part Numbers: 47581 & 47582



Internal/External Wrench Mounting
Part Numbers: 47583 thru 47589, 47591

Metric Threads

Part Number	Load Capacity (kg)	Thread Size A	B	C	D	E	F	G	H	I	J	K	L	M	N	O	Torque (N•m)	Hex Size	Wt. (kg)
47581	325	M8 x 1.25	33	16	21	3	14	8	25	25	52	44	76	19	13	13	5	—	.25
47582	500	M10 x 1.5	33	20	21	3	14	8	25	25	52	44	76	19	13	13	10	—	.25
47583	725	M12 x 1.75	48	24	35	4	21	13	44	38	86	51	120	32	19	22	20	6	1
47584	1400	M16 x 2	48	32	35	4	21	13	44	38	86	51	120	32	19	22	40	8	1
47585	2290	M20 x 2.5	59	40	48	6	26	16	57	51	102	67	145	44	25	29	70	10	2
47586	3050	M24 x 3	59	48	48	6	26	16	57	51	102	67	145	44	25	29	140	12	2
47587	4850	M30 x 3.5	90	60	83	9	42	27	95	76	196	111	265	76	49	48	350	19	9
47588	7500	M36 x 4	90	72	83	9	42	27	95	76	196	111	265	76	49	48	550	19	9
47591	8700	M42 x 4.5	90	84	83	9	42	27	95	76	196	111	265	76	49	48	800	19	9
47589	10000	M48 x 5	90	96	83	9	42	27	95	76	196	111	265	80	49	48	1200	27	10

All dimensions are in millimeters.

Side Swivel



Jergens new Side Swivel™ Lifting Ring is designed specifically for OEM type applications. It replaces potentially dangerous eyebolts on commercial, military, and industrial lifts requiring full swivel and pivoting action.

Ideally suited for OEM applications

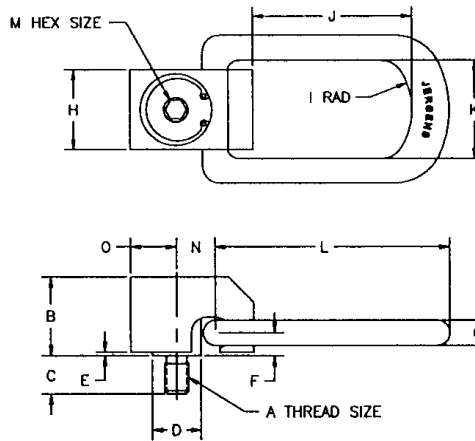
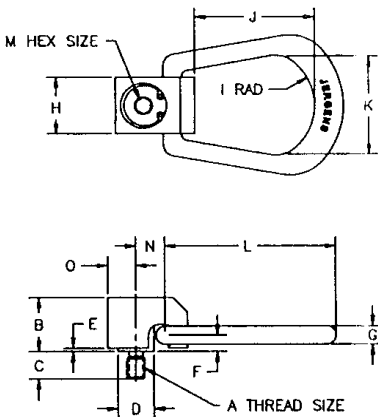


- 5:1 strength factor-forged ring
- Unique 3 piece design
- Made in U.S.A.
- Capacities up to 4100 lbs.
- Inch and metric
- OEM Pricing
- 3D Solid Models available in multiple formats from www.jergensinc.com

U.S. Patent No. 6,443,514

Small Side Swivel*

Large Side Swivel



Part Number	Load Capacity (lbs)	Thread Size A	B	C	D	E	F	G	H	I	J	K	L	Hex Size M	N	O	Torque (ft.lbs)	Weight (lbs)
47800*	650	5/16-18	15/16	15/32	5/8	1/16	9/32	5/16	1	1	2 1/16	1 3/4	2 31/32	1/4	1/2	1/2	3.5	0.6
47801*	800	3/8-16	15/16	9/16	5/8	1/16	9/32	5/16	1	1	2 1/16	1 3/4	2 31/32	1/4	1/2	1/2	4.5	0.6
47802	1800	1/2-13	1 37/64	3/4	1	5/64	7/16	1/2	1 5/8	1 1/2	3 1/4	2	4 3/4	3/8	15/16	25/32	15	2.5
47803	2500	5/8-11	1 37/64	15/16	1	5/64	7/16	1/2	1 5/8	1 1/2	3 1/4	2	4 3/4	3/8	15/16	25/32	25	2.5
47804	4100	3/4-10	1 37/64	1 1/8	1	5/64	7/16	1/2	1 5/8	1 1/2	3 1/4	2	4 3/4	3/8	15/16	25/32	50	2.5

* Small Side Swivel

Metric

Part Number	Load Capacity (kg)	Thread Size A	B	C	D	E	F	G	H	I	J	K	L	Hex Size M	N	O	Torque (N•m)	Weight (kg)
47850*	325	M8 x 1.25	23.8	15.8	15.8	1.6	7.2	7.9	25.4	25.4	52.4	44.5	75.4	6	12.7	12.7	4.2	.27
47851*	500	M10 x 1.5	23.8	19.8	15.8	1.6	7.2	7.9	25.4	25.4	52.4	44.5	75.4	6	12.7	12.7	6	.27
47852	725	M12 x 1.75	40.1	23.8	25.4	2.0	11.1	12.7	66.7	38.1	82.6	50.8	120.7	10	23.8	19.8	20	1.14
47853	1400	M16 x 2.0	40.1	31.8	25.4	2.0	11.1	12.7	66.7	38.1	82.6	50.8	120.7	10	23.8	19.8	40	1.14
47854	2290	M20 x 2.5	40.1	39.7	25.4	2.0	11.1	12.7	66.7	38.1	82.6	50.8	120.7	10	23.8	19.8	70	1.18

* Small Side Swivel

Envirolox™ Protective Finish



The Envirolox™ Protective Finish is a *proprietary nickel based coating that helps to prevent rusting and other environmental hazards from affecting Jergens Hoist Rings.* This coating does not contain cadmium or chromium, is *environmentally friendly*, and is proven to be *effective in extreme conditions.* It provides surface hardness, lubricity and more effective corrosion protection than paints. Envirolox Protective Finish is available on Jergens Center-Pull and Side-Pull Style Hoist Rings. It is not recommended for the Swivel Eyebolt or the SP 2000 products.

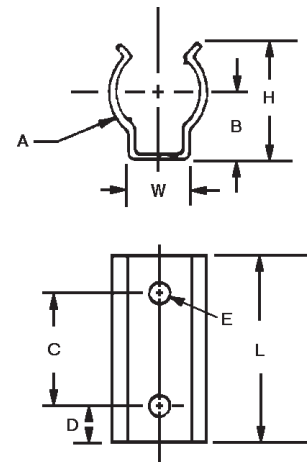
- Available on Center-Pull and Side-Pull Traditional Style Hoist Rings (See pages 10.4-10.5 and 10.8-10.9 for part numbers.)
- Available upon request for other selected Jergens lifting products.
- Protects against rusting
- Environmentally safe

Hoist Ring Hold Down Clips

Two or more Hoist Ring Hold Down Clips should be used to prevent ring movement when the hoist ring is not in use. These simple spring steel clips prevent ring movement, provide an additional safety feature when used around machine tools and give a neat finished appearance.

Clip Part Number	Diameter A	B	C	D	E	H	W	L
47331	3/8	.330	—	.250	.125	.575	.320	.500
47332	1/2	.388	.250	.125	.151	.712	.385	.500
47333	5/8	.450	.250	.125	.151	.832	.385	.500
47334	3/4	.513	.312	.156	.151	1.000	.385	.625
47335	1	.683	.312	.188	.188	1.133	.510	.687
47336	1 1/4	.750	.625	.187	.162	1.370	1.330	1.000
47337	1 3/8	.880	.312	.188	.188	1.439	.510	.688
47338	1 7/16	.850	.937	.312	.103	1.560	1.560	1.500
47339	1 3/4	1.070	.312	.188	.130	1.830	.780	.688

- Material: Spring, Steel
- Finish: Cadmium or Zinc



Swivel Eyebolt

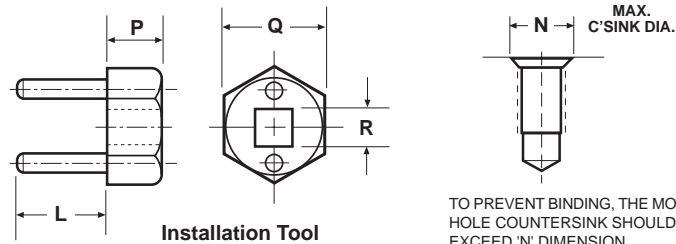


The Jergens Swivel Eyebolt™ lifting product has a full swivel and pivoting action that allows for the flipping and turning of the part without unhooking. The patented tamper resistant design is ideal for permanent mounting on OEM applications or on molds, dies and fixtures.



- Tamper Resistant Design
- Swivels 360°, Pivots 180°
- Eliminates Bending (of Eyebolt) Problem
- Forged, Oversized, One-Piece Lift Ring
- Rated at 5:1 Strength Factor
- Load Capacities to 4000 Lbs / 2000 Kg
- Economically Priced
- Material: Alloy Steel, or 316 Stainless Steel
- Finish: Black Oxide, or Passivated (SS)
- 3D Solid Models available in multiple formats from www.jergensinc.com

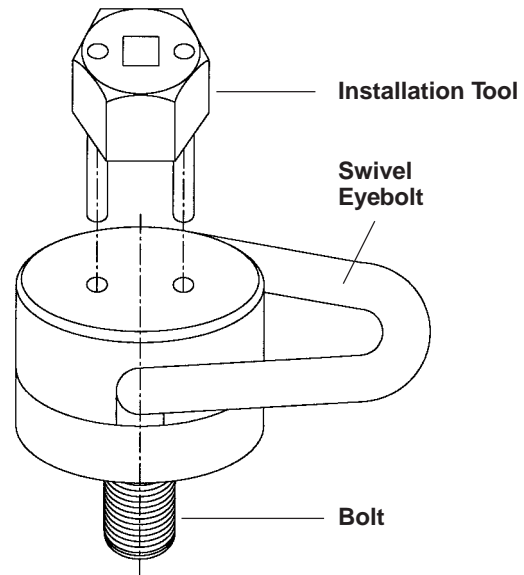
U.S. Patent Nos. 5,634,734 and 5,743,576
Foreign Patent Pending



Installation Tool Information

Installation Tool Part Number	Pin Length L	Head Thickness P	Hex Size Q	Square Drive R
47641	11/16	.55	15/16	1/4
47643	1 1/8	.65	1 1/4	3/8

Swivel Eyebolt Part Number	Installation Tool Part Number	Recommended Torque	Maximum Countersink Diameter N
47621	47641	7 ft. lbs.	1/2
47622	47641	20 ft. lbs.	5/8
47631	47641	7 ft. lbs.	1/2
47632	47641	20 ft. lbs.	5/8
47671	47641	10 N•m	13 mm
47672	47641	25 N•m	16 mm
47681	47641	10 N•m	13 mm
47682	47641	25 N•m	16 mm
47625	47643	35 ft. lbs.	3/4
47626	47643	55 ft. lbs.	7/8
47633	47643	35 ft. lbs.	3/4
47634	47643	55 ft. lbs.	7/8
47675	47643	50 N•m	19 mm
47676	47643	80 N•m	22 mm
47683	47643	50 N•m	19 mm
47684	47643	80 N•m	22 mm

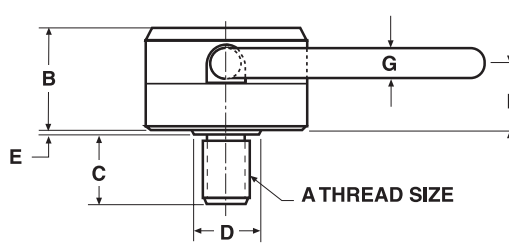
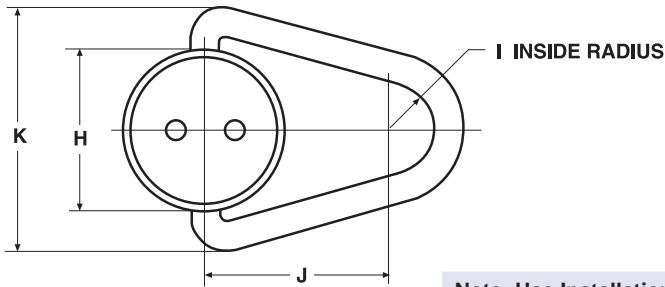


FREE SWIVEL EYEBOLT VIDEO



Applications and Installation Information. Contact Jergens for your **FREE** copy.

Small Swivel Eyebolt



Note: Use Installation Tool Part Number 47641 for this style Swivel Eyebolt.

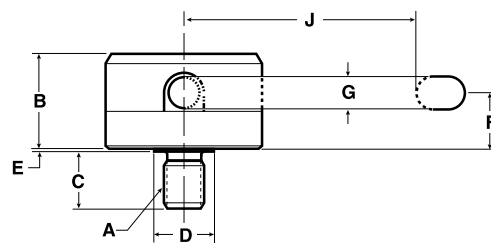
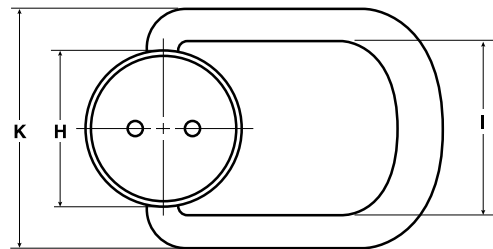
Swivel Eyebolt

Part Number		Load Capacity (lbs)		Thread Size A	B	C	D	E	F	G	H	I	J	K
Alloy Steel	Stainless Steel	Alloy Steel	Stainless Steel											
47621	47631	1000	500	3/8 - 16	1 3/32	9/16	3/4	3/64	45/64	5/16	1 3/4	1/2	2	2 5/8
47622	47632	2000	1000	1/2 - 13	1 3/32	3/4	3/4	3/64	45/64	5/16	1 3/4	1/2	2	2 5/8

Metric Swivel Eyebolt

Part Number		Load Capacity (Kg)		Thread Size A	B	C	D	E	F	G	H	I	J	K
Alloy Steel	Stainless Steel	Alloy Steel	Stainless Steel											
47671	47681	500	250	M10 x 1.5	27.8	14.6	19.1	1.2	17.9	7.9	44.5	12.7	50.8	66.7
47672	47682	700	350	M12 x 1.75	27.8	19.1	19.1	1.2	17.9	7.9	44.5	12.7	50.8	66.7

Large Swivel Eyebolt



Note: Use Installation Tool Part Number 47643 for this style Swivel Eyebolt.

Swivel Eyebolt

Part Number		Load Capacity (lbs)		Thread Size A	B	C	D	E	F	G	H	I	J	K
Alloy Steel	Stainless Steel	Alloy Steel	Stainless Steel											
47625	47633	3000	1500	5/8 - 11	1 33/64	15/16	7/8	1/32	57/64	1/2	2 1/2	2 3/4	3 1/2	3 13/16
47626	47634	4000	2000	3/4 - 10	1 33/64	1 1/8	1	1/32	57/64	1/2	2 1/2	2 3/4	3 1/2	3 13/16

Metric Swivel Eyebolt

Part Number		Load Capacity (Kg)		Thread Size A	B	C	D	E	F	G	H	I	J	K
Alloy Steel	Stainless Steel	Alloy Steel	Stainless Steel											
47675	47683	1500	750	M16 x 2.0	38.5	23.8	22.2	.8	22.6	12.7	63.5	70	93	97
47676	47684	2000	1000	M20 x 2.5	38.5	30.2	25.4	.8	22.6	12.7	63.5	70	93	97

Pivoting Lift Ring



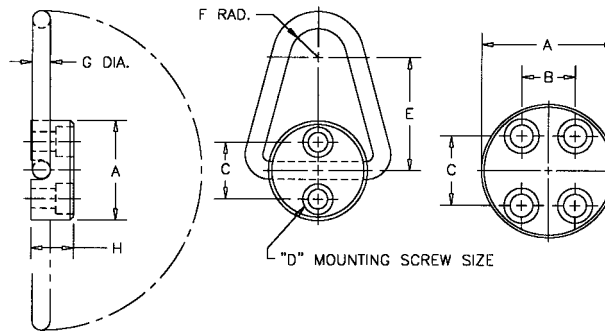
The Jergens Pivoting Lift Ring is a low profile lifting device that pivots 180°. It is one of the most economical lifting devices available and is ideal for applications that do not require a swivel action. This Lift Ring is easy to install and is available in five sizes. Load ratings range from 2,000 - 20,000 lbs. The product is manufactured from alloy steel, heat treated and magnafluxed.

- Base: Precision Machined Alloy Steel
- Ring: Alloy Steel forging, heat treated, magnafluxed and certified
- Finish: Black Oxide
- Rated at 6:1 Strength Factor
- 3D Solid Models available in multiple formats from www.jergensinc.com

Optional Mounting Bolts*

Lift Ring Part Number	Bolt Part Number	Bolt Size
47411	47421	5/16-18 x 1 1/4
47412	47422	3/8-16 x 1 1/2
47413	47423	1/2-13 x 1 3/4
47414	47424	1/2-13 x 2 1/2
47415	47425	5/8-11 x 2 1/2

*Note: Mounting Bolts must be ordered separately.



Pivoting Lift Rings

Part Number	Load Capacity (lbs)	A	B	C	Mounting Screw Size D	E	F	G	H
47411	2000	1 3/4	—	1	5/16-18 x 1 1/4	2	1/2	5/16	3/4
47412	2500	2 1/4	—	1 1/8	3/8-16 x 1 1/2	2 1/2	5/8	3/8	7/8
47413	5000	2 1/2	—	1 1/2	1/2-13 x 1 3/4	3	3/4	1/2	1 1/8
47414*	12000	3 1/8	1 1/4	1 5/8	1/2-13 x 2 1/2	4	7/8	3/4	1 3/8
47415*	20000	3 5/8	1 1/4	2 1/16	5/8-11 x 2 1/2	5	1	1	1 7/8

* The larger load capacity rings have four mounting holes.

Metric Pivoting Lift Rings

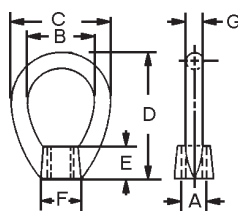
Part Number	Load Capacity (kg)	A	B	C	Mounting Screw Size D	E	F	G	H
47411	900	45	—	25.4	M 8 x 1.25 x 35 mm	51	13	8	19
47412	1100	57	—	28.6	M 10 x 1.5 x 40 mm	64	16	10	22
47413	2250	64	—	38.1	M 12 x 1.75 x 45 mm	76	19	13	29
47414*	5400	80	31.8	41.3	M 12 x 1.75 x 55 mm	102	22	19	35
47415*	9000	92	31.8	52.4	M 16 x 2.0 x 65 mm	127	25.4	25.4	48

* The larger load capacity rings have four mounting holes.

Eye Nuts

Inch

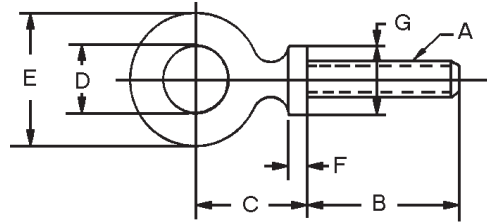
• Material: C-1030 Forge



Part Number	A	B	C	D	E	F	G	Wt (lbs)	Load Capacity (lbs)
18901	3/8-16	1 1/4	2	2 1/2	5/8	7/8	3/8	.22	2700
18902	1/2-13	1 1/4	2	2 1/2	5/8	7/8	3/8	.22	2700
18903	5/8-11	1 1/2	2 1/2	3	3/4	1 3/8	1/2	.50	5000
18904	3/4-10	1 1/2	2 1/2	3	3/4	1 3/8	1/2	.50	5000

Shoulder Eye Bolts

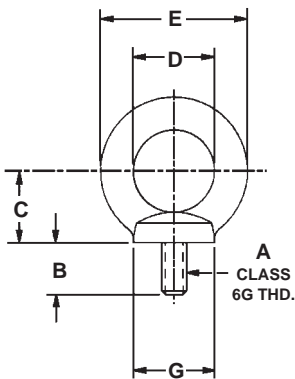
Inch



- Material: C-1030 Forge
- Finish: Mill
- Thread: 2A

For other than vertical loads, general practice is to use 60% of the working load capacity for a load 30° from vertical; 33% of vertical load for load 45° from vertical; and 20% of vertical load for load 90° from vertical.

NOTE: 2 1/2 threads runout on threaded portion.



Part Number	A	B	C (Ref.)	D	E	F (Ref.)	G	Wt (lbs)	Load Capacity (lbs)
18501	1/4-20	1	11/16	3/4	1 3/16	3/16	1/2	.05	500
18502	5/16-18	1 1/8	7/8	7/8	1 7/16	3/16	5/8	.10	900
18503	3/8-16	1 1/4	1 1/16	1	1 21/32	3/16	11/16	.16	1300
18504	1/2-13	1 1/2	1 5/16	1 3/16	2 1/16	1/4	7/8	.36	2400
18505	5/8-11	1 3/4	1 19/32	1 3/8	2 1/2	1/4	1 1/8	.65	4000
18506	3/4-10	2	1 23/32	1 1/2	2 13/16	5/16	1 1/4	1.00	5000
18507	7/8-9	2 1/4	2 3/16	1 11/16	3 1/4	3/8	1 7/16	1.70	7000
18508	1-8	2 1/2	2 13/32	1 13/16	3 9/16	13/32	1 9/16	2.36	9000
18509	1 1/8-7	2 3/4	2 23/32	2	4	15/32	1 11/16	3.41	12000
18510	1 1/4-7	3	2 15/16	2 3/16	4 7/16	1/2	1 7/8	4.68	15000
18511	1 1/2-6	3 1/2	3 7/16	2 1/2	5 3/16	9/16	2 3/16	7.77	21000
18512	1 3/4-5	3 3/4	3 31/32	2 7/8	6 1/16	5/8	2 1/2	11.35	28000
18513	2-4 1/2	4	4 1/2	3 1/4	6 7/8	3/4	2 7/8	16.70	38000

Metric - Short

Loads given ensure a strength factor of four against deformation of any kind and strength factor of five against fracture.

- Material: C-15 Annealed (AISI 1015)
- Finish: Mill
- Thread: 6g

Part Number	A	B	C (Ref.)	D	E	G	Wt. (kg)
18551	M6 x 1	13.0	17.5	19.1	36.5	20.0	.023
18552	M8 x 1.25	13.0	22.2	22.2	36.5	20.0	.045
18554	M12 x 1.75	20.5	33.3	30.2	52.4	30.0	.163
18555	M16 x 2	27.0	40.5	34.9	63.5	35.0	.295

Maximum permissible loads in lbs.	
For one bolt firmly tightened	For two bolts total
150	100
300	200
700	500
1500	1100

All Dimensions in Millimeters.

Metric - Standard

Part Number	A	B	C (Ref.)	D	E	F (Ref.)	G	Wt (lbs)	Load Capacity (kg)	Load Capacity (lbs)
18561	M6 x 1.0	25.4	20.6	19	30.0	3.9	13.5	.06	210	462
18562	M8 x 1.25	31.7	29.4	25	43.0	4.8	17.5	.17	500	1110
18563	M10 x 1.5	35.0	33.3	27	46.0	5.2	19.8	.24	740	1628
18564	M12 x 1.75	38.0	36.5	30	54.0	5.6	22.2	.36	1030	2266
18565	M16 x 2.0	44.5	43.6	35	65.0	6.3	27.0	.69	1600	3520
18566	M20 x 2.5	57.0	55.6	41	81.0	9.5	36.5	1.51	2860	6292
18567	M24 x 3.0	63.5	61.1	44	90.4	10.3	39.7	2.36	3850	8470
18568	M30 x 3.5	76.0	74.6	55	112.7	12.7	47.6	4.68	6400	14080
18569	M36 x 4.0	89.0	87.3	63	131.8	14.3	55.6	7.77	8970	19734
18570	M42 x 4.5	95.0	93.6	73	152.4	15.1	60.3	11.10	11960	26312
18571	M48 x 5.0	101.6	107.9	82	174.6	17.5	69.8	15.90	16400	36080

- Material: C-1030 Forge
- Finish: Mill
- Thread: 6g

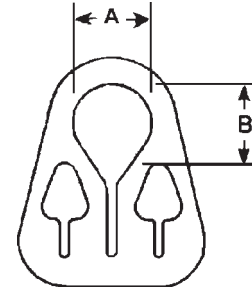
Adjustable Chain Sling



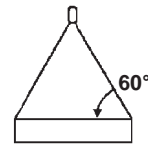
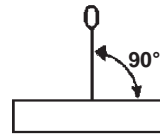
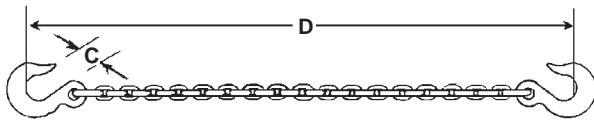
Patent No. 4,941,698

- Grade 80 Alloy Chain*
- Alloy Steel Master Control Link*
- Each assembly serialized for traceability
- Complies with OSHA - proof tested and certified
- Ideal for machine shop requirements
- Each hook is equipped with a latch

* These items are only available as an assembly and cannot be purchased separately.



Master Control Link



Part Number	Chain Size (in.)	Capacities		Dimensions				Weight (lbs)
		Single @ 90° (lbs)	Double @ 60° (lbs)	A (in.)	B (in.)	C (in.)	D (ft.)	
47701	7/32	2100	3600	2	2	15/16	6	4 1/2
47702	7/32	2100	3600	2	2	15/16	10	6 1/2
47703	9/32	3500	6100	3	3 1/2	1 1/16	6	8
47704	9/32	3500	6100	3	3 1/2	1 1/16	10	11
47705	3/8	7100	12300	3 1/4	3 1/4	1 9/16	10	19
47706	3/8	7100	12300	3 1/4	3 1/4	1 9/16	14	25
47707	1/2	12000	20800	4 3/8	4 3/8	2	10	42
47708	1/2	12000	20800	4 3/8	4 3/8	2	14	52



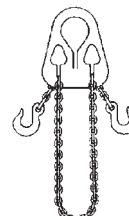
Latch



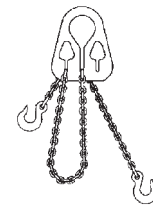
SINGLE



DOUBLE



BASKET



BASKET & SINGLE

WARNING:

- Failure to follow the care, use and inspection instructions could result in severe personal injury. Do not exceed rated capacities.
- Sling capacity rating decreases as the angle from horizontal decreases. We do not recommend using at angles of less than 45°.
- Loads must always be securely attached and balanced. You must never substitute another chain or exceed the load limit.
- The load bearing chain must be seated at the base of adjusting slot of the Master Control Link. The Alloy Chain and Master Control Link shall not be used separately for general purpose lifting.

Quality Standards

Center-Pull Traditional and Side-Pull Traditional Style Hoist Rings

Load Bearing Member Components

- All material is domestically manufactured certified alloy steel.
- All components are machined prior to manufacture to remove any surface defects.
- All components are heat treated and certified to manufacturing specifications.
- Bolts are:

Inch



Socket Screw Grade
Tensile Strength
-180,000 psi - 1/2" or Smaller
-170,000 psi - Over 1/2"
100% Magnetic Particle Inspected to ASTM E709-80

Metric

Grade 12.9
Tensile Strength
-1220 MPa
- (177,000 psi)
100% Magnetic Particle Inspected to ASTM E709-80

- All other load bearing components are magnetic particle inspected based upon ASTM E709-80 and MIL-STD-105 with zero defects permissible.
- Bolt torque and hoist ring load limit permanently marked on washer.
- **ISO 9001: 2000 Certified**

Individual certificate of proof-test accompanies Center-Pull and Side-Pull Traditional Style hoist rings in final packaging.

		Certificate of Proof Test			
(1) Distinguishing Mark	(2) Description of Item Tested	(3) Quantity Tested	(4) Date Tested	(5) Load Applied	(6) Rated Load
BI	23408 HOIST RING	1	01/01/03	2,000 LBS	1,000 LBS
(7) Name and address of supplier		Jergens, Inc., 15700 S. Waterloo Rd., Cleveland, OH 44110			
(8) Name and address of Company performing test:		Jergens, Inc., 15700 S. Waterloo Rd., Cleveland, OH 44110			
(9) Position of signatory in company:		Quality Assurance Manager			
We hereby certify that Jergens, Inc. Test Procedure 1001 requires all hoist rings to be proof tested and examined; and that this form is evidence that the test operator completed all procedures as required.					
(Signature) 					
MAB In substantial agreement with (OSHA) 29 CFR 1918 & 1919 Form NO. 4					

Quality Standards For Center-Pull and Side-Pull Traditional Style Hoist Rings

Assembly Data

- Traditional Center Pull and Side Pull hoist ring assemblies are pull-tested and certified to 200% of rated load capacity and stamped with identifying date code.
- All hoist rings are designed for 5:1 strength factor.
- Hoist rings are color coded for easy identification: gold washer denotes inch sizes, silver/clear blue washer denotes metric sizes.
- Finished assembly is black oxide (with the exception of the washer).
- The Jergens name or logo is prominently displayed on assembly for identification of original manufacturer.
- Special plating or marking is available upon customer's request.
- Proper warning label is affixed to each clevis.
- Proof load testing, magnafluxing, heat treating and material certification are on file at Jergens, Inc.
- The finished hoist ring product is individually boxed.

NOTE: Specifications for side pull style hoist rings are identical to center pull style with the exception that the clevis is of precision cast alloy material which is serialized and conforms to X-ray specifications.

Multi-lingual safety data instructions included in each package

IMPORTANT
GIVE TO SAFETY MANAGER

IMPORTANT
À FOURNIR AU
DIRECTEUR DE SÉCURITÉ

IMPORTANTE
ENTREGAR AL
SUPERVISOR DE SEGURIDAD

IMPORTANTE
CONSEGNARE AL
RESPONSABILE PER LA
SICUREZZA

IMPORTANTE
DÊ PARA O GERENTE
DE SEGURANÇA

WICHTIG
AN DEN
SICHERHEITSMANAGER
WEITERGEBEN

重要
安全管理担当者様

Jergens Way • 15700 S. Waterloo Rd.
Cleveland, Ohio 44110-3898
Phone: (216) 486-5540 • Fax: (216) 481-6193

Printed in the U.S.A.
© Copyright 1999

Contact Jergens for quality standards on all other lifting products.