

# Camloc Tension Latches



Page

General Information ..... A-2  
Important Information ..... A-3  
Overview on latches ..... A-4

## Tension Latches

V934L Series ..... B-1 - B-2  
95L Series ..... C-1 - C-2  
V96L Series ..... D-1 - D-2  
1429L Series ..... E-1 - E-5  
V951L Series ..... F-1 - F-6  
V917L & 1449L Series ..... G-1 - G-5  
V18L Series ..... H-1 - H-4  
V46L Series ..... I-1

## Slam Latches

2939L Series ..... J-1  
52F Series ..... K-1  
2812L Series ..... L-1 - L-2

Index

The Camloc brand was established in 1937. Since that time our fastening systems have been successfully integrated into numerous applications within many different industries.

Our customers benefit from our more than 70 years of fastening experience.

We provide local support for innovative, high quality fastening systems supplied globally to the strictest environmental and working conditions.



**ISO/TS 16949: 2009**



**DIN EN ISO 14001 : 2009**

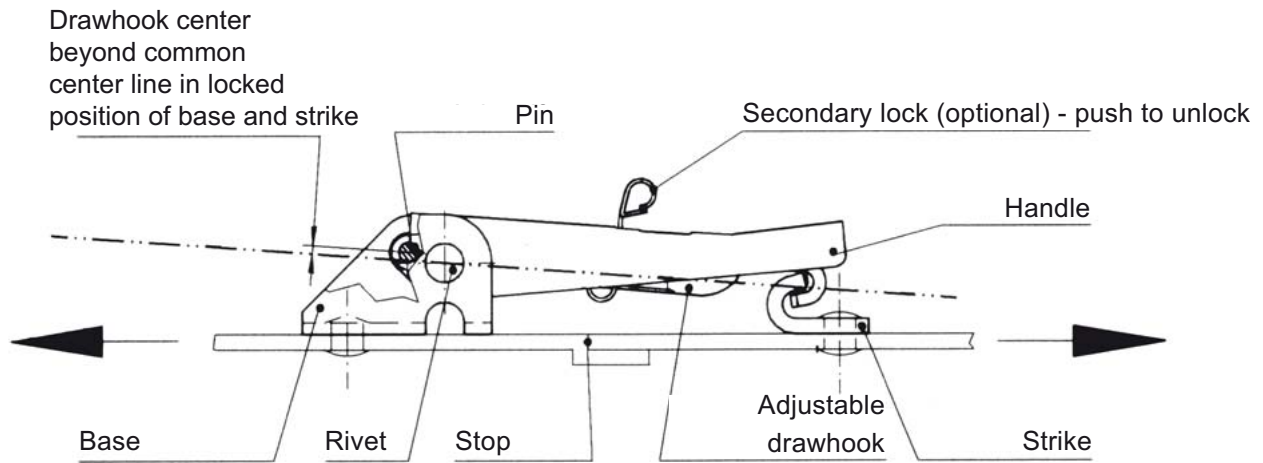
Please find additional information about our environmental program under: [www.alcoa.com](http://www.alcoa.com).

Your Alcoa Fastening Systems team

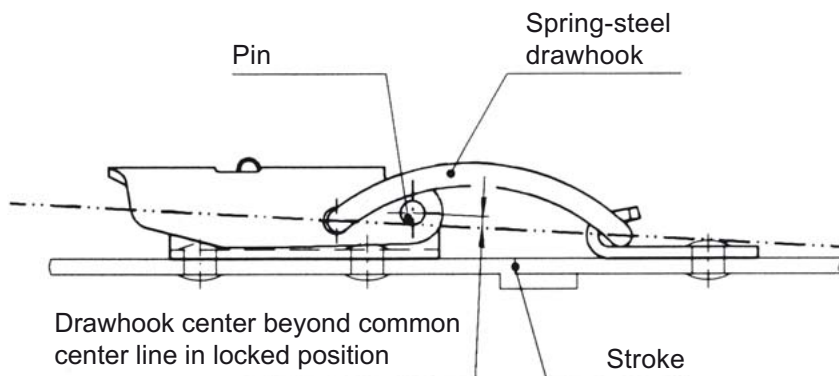
**Disclaimer:**

Parts listed are subject to technical changes. All dimensions in mm. All information is correct to the best of our knowledge at the time of printing. No liability for disadvantages caused by printing errors or false application.

## How It Operates



- Tension latches provide a quick release yet secure locking mechanism. They can take high tensile loads. Shear forces must be kept off the tension latch by the assembly design.
- Through lever action, the panels connected with the tension latch and the strike are pulled together. If necessary, a stop must be provided.
- Positive lock is achieved when drawhook center is beyond the common center line of the base and strike.




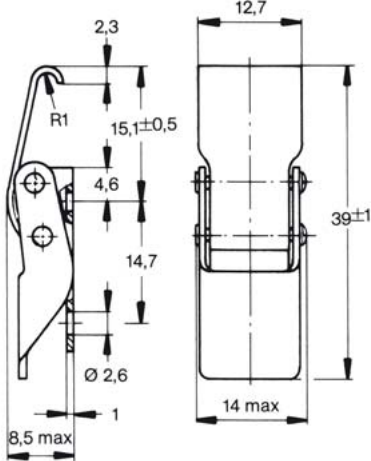

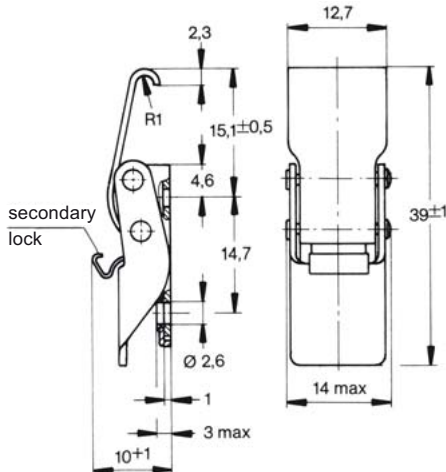
- For unlocking, the secondary lock, if fitted, is operated and the handle lifted. For locking, the secondary lock automatically engages.
- Most of the tension latches can be adjusted by a threaded drawhook. For non-threaded drawhook series the spring steel or wire drawhook gives tolerance compensation and joint tension.

### Overview Latches


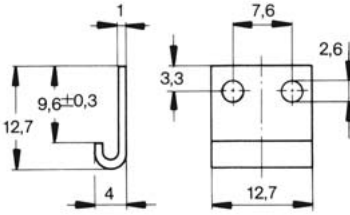
Series	Max. tensile strength	Working load	without secondary lock	with secondary lock	with hasp	to rivet on or to screw on	to weld on	adjustable drawhook	carbon steel with surface treatment	Stainless steel	Pages
V934L	550 N	310 N	X	X		X			X	X	B1-B2
95L	445 N	220 N	X			X			X	X	C1-C2
V96L	1.000 N	650 N	X			X			X		D1-D2
1429L	1.500 N	1.000 N	X	X		X			X	X	E1-E5
V951L	2.300 N	1.550 N	X	X	X	X	X	X	X	X	F1-F6
V917L	3.600 N	2.700 N	X	X	X	X	X	X	X	X	G1-G5
V18L	6.000 N	4.200 N	X	X	X	X	X	X	X	X	H1-H4
V46L	4.400 N	3.000 N	X			X	X	X	X		I1

\* Limitations within series possible. Please see (foot) notes at catalogue pages.

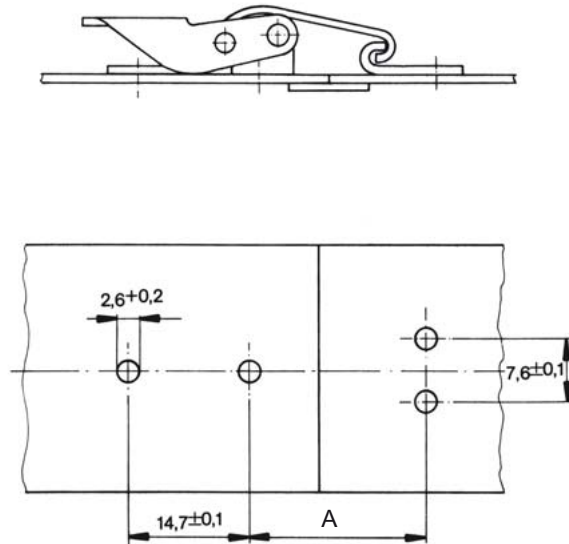
Max. tensile strength 550 N  
Working load 310 N

Style	Dimensions	Materials / Finish	Part No.
		Stainless steel  Steel / zinc-plated, CrVI-free, clear passivation	<b>V934L01-1-1BP</b>  <b>V934L01-1-1AGV</b>
<b>With secondary lock</b> 		Stainless steel  Steel / zinc-plated, CrVI-free, clear passivation	<b>V934L01-1X1BP</b>  <b>V934L01-1X1AGV</b>

## Strikes


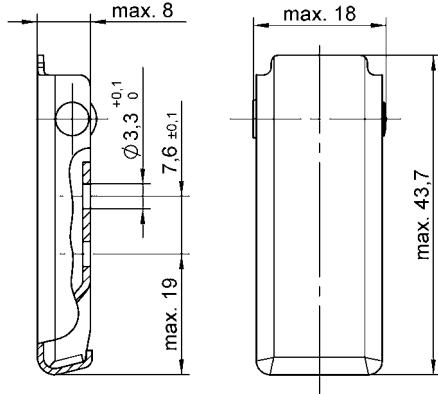

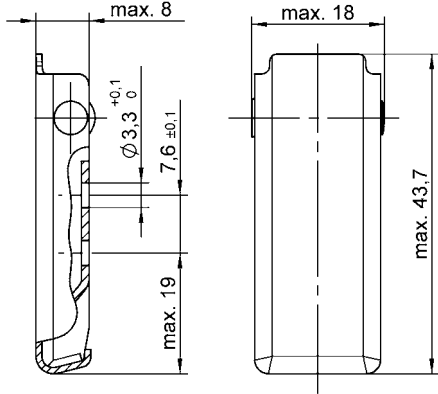
Style	Dimensions	Materials / Finish	D	Part No.
		Stainless steel <sup>1)</sup>  Steel / zinc-plated, CrVI-free, clear passivation	2,6	<b>V934L02-1BP</b>  <b>V934L02-1AGV</b>

Dimensions


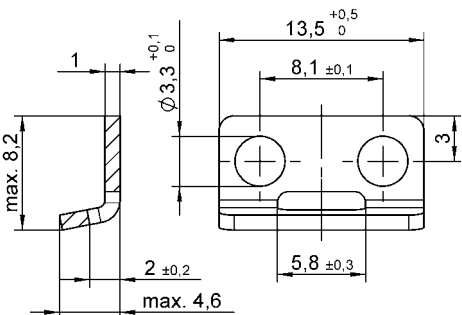


A = min. 23,7 mm, please take into account the application preload and tolerance requirements

Max. tensile strength 445 N, working load 220 N  
 Handle conceals all interior parts and strike  
 Self-compensating spring steel drawhook  
 Low profile

Style	Dimensions	Materials / Finish	Part No.
<b>Self-compensating spring steel drawhook</b> 		Stainless steel	<b>V95L07-1-1BC</b>
<b>Self-compensating spring steel drawhook</b> 		Steel / chrome-plated Interior parts: Steel / zinc-plated, CrVI-free, clear passivation	<b>V95L15-1BD</b>

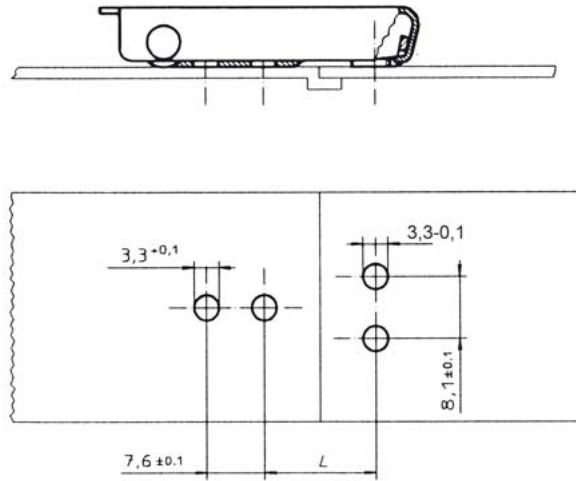
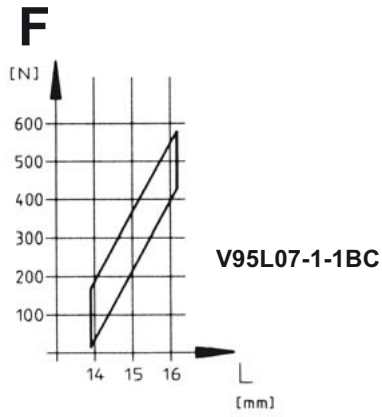
## Strike

Style	Dimensions	Materials / Finish	Part No.
		Stainless steel	<b>V95H07-1-1BP</b>


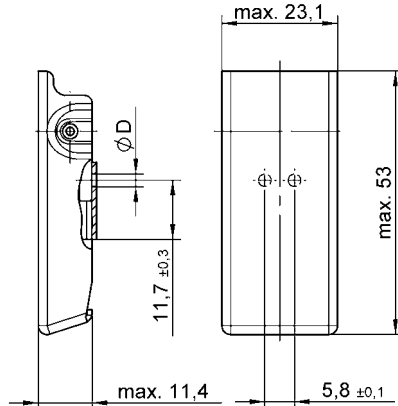


Dimensions


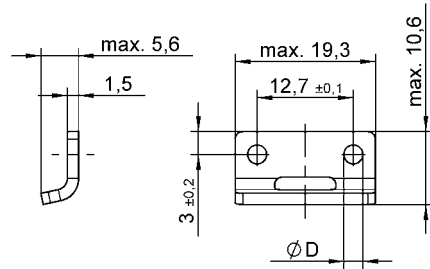
Spring steel drawhook tension latch / strike



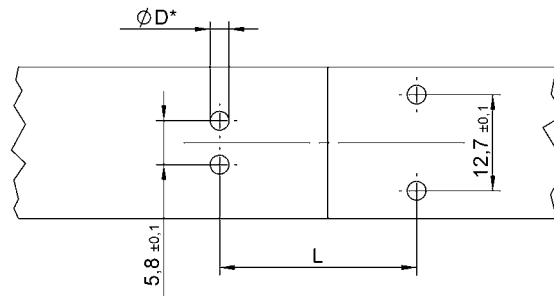
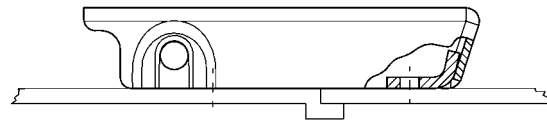
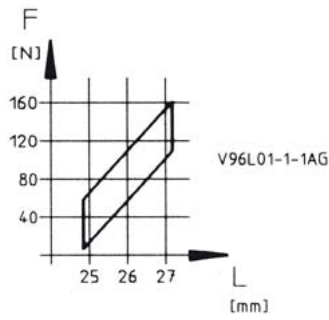
Max. tensile strength 1.000 N, working load 650 N.  
Handle conceals all interior parts and strike  
Self-compensating spring steel drawhook  
Low profile

Style	Dimensions	Materials / Finish	D	Part No.
<b>Self-compensating spring steel drawhook</b>  		Steel / zinc-plated, CrVI-free, clear passivation	2,5	<b>V96L01-1-1AO</b>
			3,2	<b>V96L01-1-2AO</b>
		Steel / chrome-plated Interior parts: Steel / zinc-plated, CrVI-free, clear passivation	2,5	<b>V96L01-1-1AG</b>
			3,2	<b>V96L01-1-2AG</b>

## Strike


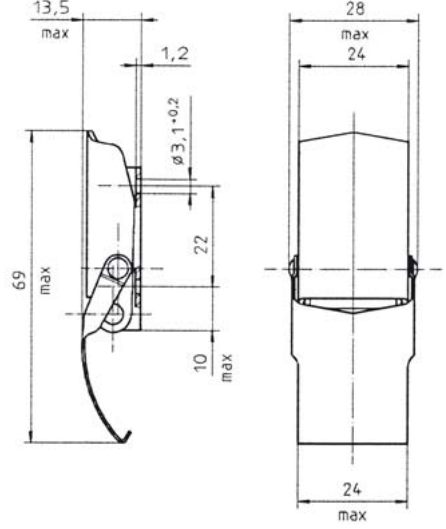

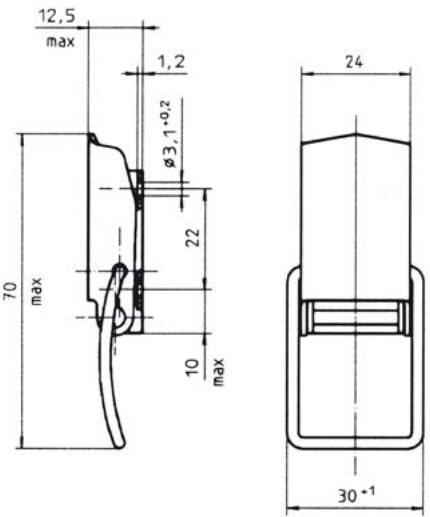
Style	Dimensions	Materials / Finish	D	Part No.
		Steel / zinc-plated, CrVI-free, clear passivation	2,5	<b>V96H01-1-1AO</b>
			3,2	<b>V96H01-1-2AO</b>

Dimensions



\* Ø D see selected version.


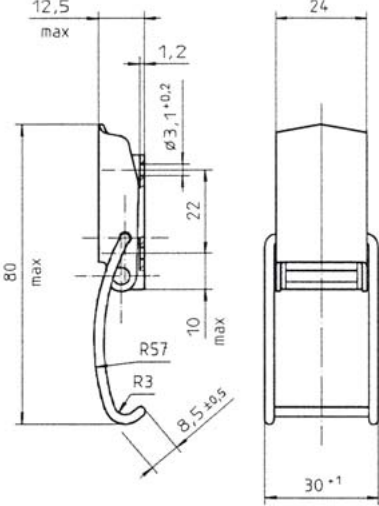

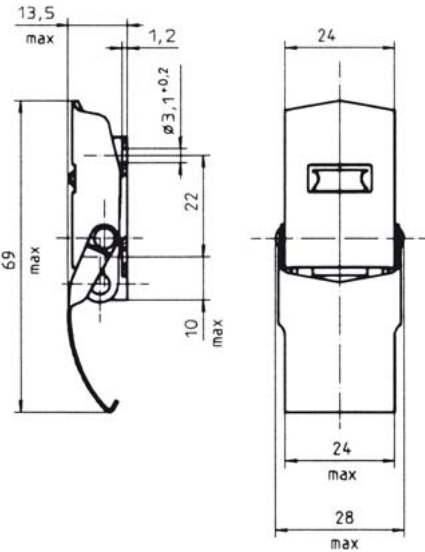
Max. tensile strength 1.500 N, working load up to 1.000 N, see footnotes.  
Available with secondary lock  
Three different drawhook types available

Style	Dimensions	Materials / Finish	D	Part No.
<b>Spring steel drawhook</b>  		Steel / zinc-plated, CrVI-free, clear passivation <sup>1)</sup>	3,1	<b>1429L02-1-1AG</b>
		Stainless steel <sup>2)</sup>	3,1	<b>1429L02-1-1BP</b>
<b>Wire drawhook</b>  		Steel / zinc-plated, CrVI-free, clear passivation <sup>1)</sup>	3,1	<b>1429L02-2-1AG</b>
		Stainless steel <sup>3)</sup>	3,1	<b>1429L02-2-1BP</b>

<sup>1)</sup> Max. tensile strength: 450 N with 1429L8-1AG strike, working load 330 N.

<sup>2)</sup> Max. tensile strength: 300 N with 1429L8-1BP strike, working load 210 N.


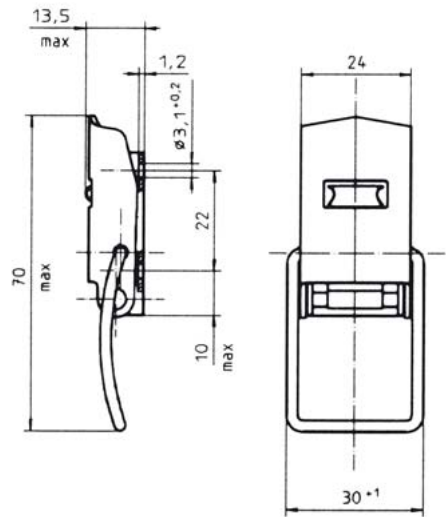

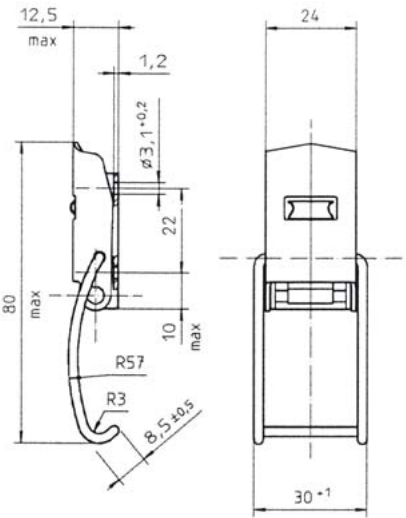
<sup>3)</sup> Max. tensile strength: 1.500 N with 1429L9-1AG / -1BP strike, working load 1.000 N.

Style	Dimensions	Materials / Finish	D	Part No.
<p><b>Hooked wire drawhook</b></p> 		<p>Steel / zinc-plated, CrVI-free, clear passivation <sup>1)</sup></p> <p>Stainless steel <sup>1)</sup></p>	<p>3,1</p> <p>3,1</p>	<p><b>1429L02-3-1AG</b></p> <p><b>1429L02-3-1BP</b></p>
<p><b>Spring steel drawhook and secondary lock</b></p> 		<p>Steel / zinc-plated, CrVI-free, clear passivation <sup>2)</sup></p> <p>Stainless steel <sup>3)</sup></p>	<p>3,1</p> <p>3,1</p>	<p><b>1429L02-1X1AG</b></p> <p><b>1429L02-1X1BP</b></p>

<sup>1)</sup> Max. tensile strength: 1.100 N with 1429L9-1AG / -1BP strike, working load 800 N.  
or in conjunction with mating component profile.


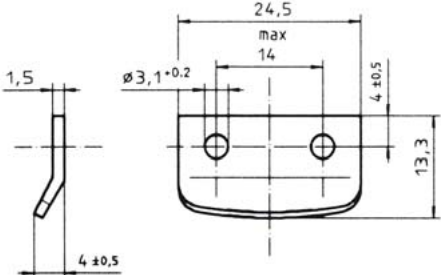

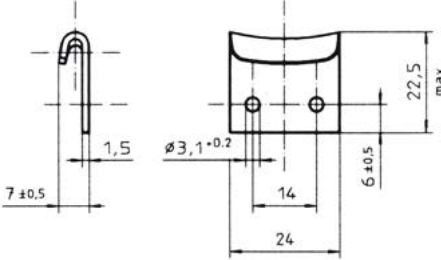
<sup>2)</sup> Max. tensile strength: 450 N with 1429L8-1AG strike, working load 330 N.

<sup>3)</sup> Max. tensile strength: 300 N with 1429L8-1BP strike, working load 210 N.

Style	Dimensions	Materials / Finish	D	Part No.
<b>Wire drawhook and secondary lock</b>  		Steel / zinc-plated, CrVI-free, clear passivation <sup>1)</sup>	3,1	<b>1429L02-2X1AG</b>
		Stainless steel <sup>1)</sup>	3,1	<b>1429L02-2X1BP</b>
<b>Hooked wire drawhook and secondary lock</b>  		Steel / zinc-plated, CrVI-free, clear passivation <sup>2)</sup>	3,1	<b>1429L02-3X1AG</b>
		Stainless steel <sup>2)</sup>	3,1	<b>1429L02-3X1BP</b>

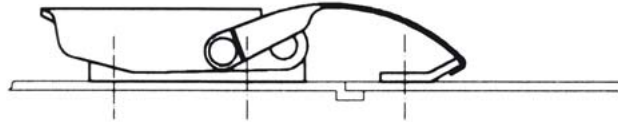
<sup>1)</sup> Max. tensile strength: max. 1.500 N with 1429L9-1AG / -1BP strike, working load 1.000 N.

<sup>2)</sup> Max. tensile strength: max. 1.100 N with 1429L9-1AG / -BP strike, working load 800 N.  
or in conjunction with mating component profile.

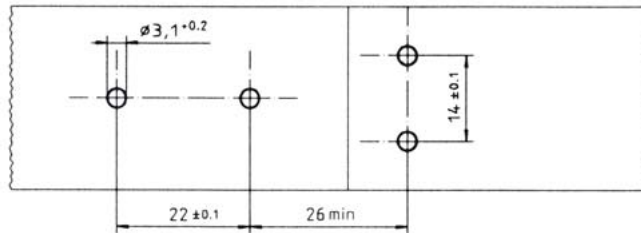
Style	Dimensions	Materials / Finish	D	Part No.
<p><b>For use with spring steel drawhook</b></p> 		<p>Steel / zinc-plated, CrVI-free, clear passivation</p> <p>Stainless steel</p>	<p>3,1</p> <p>3,1</p>	<p><b>1429L8-1AG</b></p> <p><b>1429L8-1BP</b></p>
<p><b>For use with wire drawhook</b></p> 		<p>Steel / zinc-plated, CrVI-free, clear passivation</p> <p>Stainless steel</p>	<p>3,1</p> <p>3,1</p>	<p><b>1429L9-1AG</b></p> <p><b>1429L9-1BP</b></p>

Dimensions

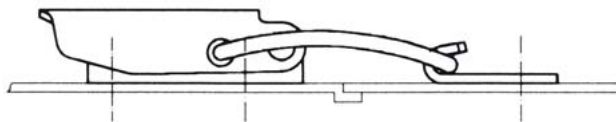
**Spring steel drawhook tension latch / strike**



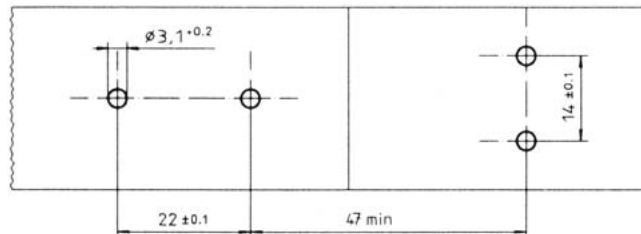
1429L02-1-<sup>\*</sup>  
1429L8-<sup>\*</sup>



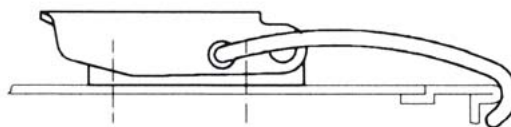
**Wire drawhook tension latch / strike**



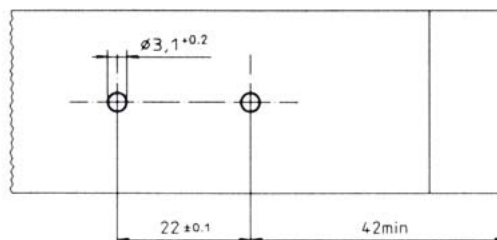
1429L02-2-<sup>\*</sup>  
1429L9-<sup>\*</sup>



**Hokked wire drawhook tension latch / mating component profile**



1429L02-3-<sup>\*</sup>  
(1429L9-<sup>\*</sup>)


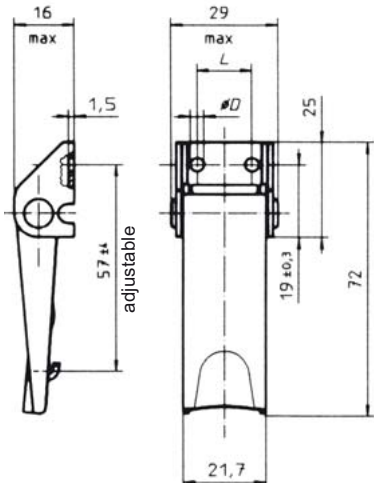

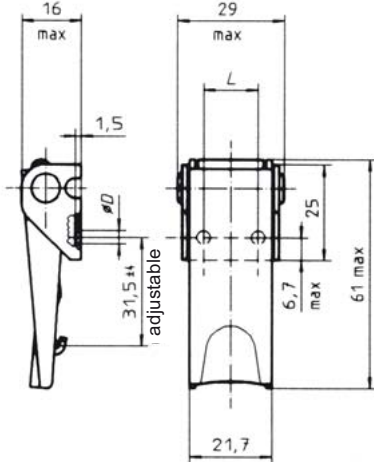




Max. tensile strength 2.300 N, working load max 1.550 N, see footnotes.

Adjustable drawhook

Available with secondary lock and hasp

Style	Dimensions	Materials / Finish	Mounting Type <sup>1)</sup>	D	L	Part No.
<b>Open base</b>  		Steel / zinc-plated, CrVI-free, clear passivation <sup>2)</sup>	N	3,6	14,3	<b>V951L02-1-1AGV</b>
		Steel / zinc-plated, CrVI-free, clear passivation <sup>2)</sup>	N	4,2	12,7	<b>V951L02-1-5AGV</b>
		Steel / zinc-plated, CrVI-free, clear passivation Base: Steel / zinc-plated <sup>2)</sup>	S	-	-	<b>V951L02-1-2AGV</b>
		Steel / chrome-plated Interior parts: Steel / zinc-plated, CrVI-free, clear passivation <sup>2)</sup>	N	3,6	14,3	<b>V951L02-1-1AD</b>
		Stainless steel <sup>3)</sup>	N	3,6	14,3	<b>V951L02-1-1BP</b>
		Stainless steel <sup>3)</sup>	N	4,2	12,7	<b>V951L02-1-5BP</b>
		Stainless steel <sup>3)</sup>	S	-	-	<b>V951L02-1-2BP</b>
<b>Concealed base <sup>4)</sup></b>  		Steel / zinc-plated, CrVI-free, clear passivation	N	3,6	14,3	<b>V951L03-1-1AGV</b>
		Steel / zinc-plated, CrVI-free, clear passivation	N	4,2	12,7	<b>V951L03-1-5AGV</b>
		Steel / chrome-plated Interior parts: Steel / zinc-plated, CrVI-free, clear passivation	N	3,6	14,3	<b>V951L03-1-1AD</b>
		Stainless steel	N	3,6	14,3	<b>V951L03-1-1BP</b>
		Stainless steel	N	4,2	12,7	<b>V951L03-1-5BP</b>


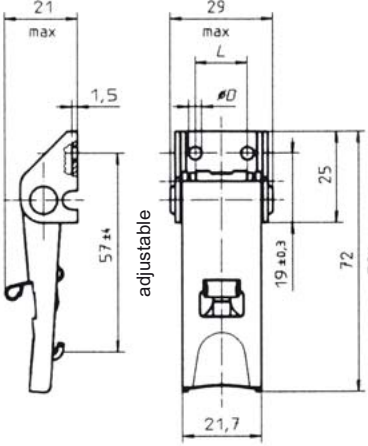

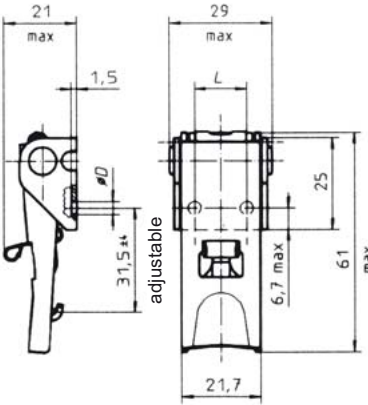
<sup>1)</sup> Mounting type: N = With holes for riveting or screw fixing

S = Without holes, for welding


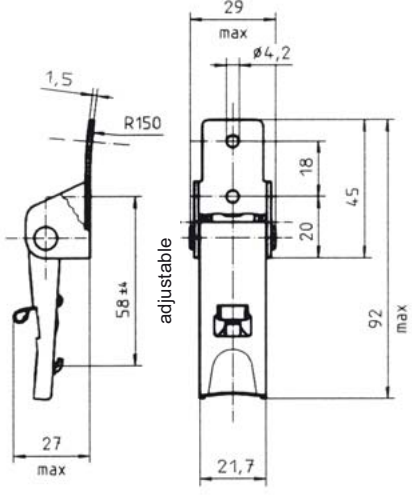

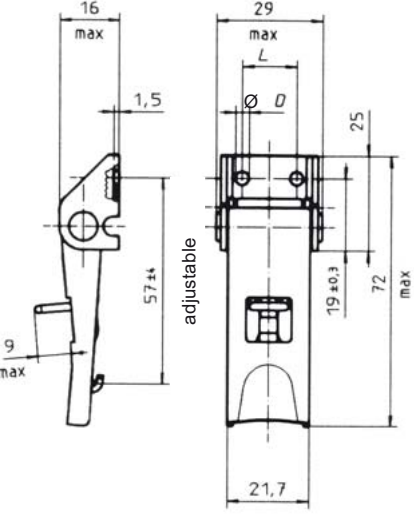
<sup>2)</sup> Max. tensile strength: 2.300 N with V951L07-\*A\* and V951L52-1A\* strike, working load 1.550 N.  
2.000 N with V951L50-1A\* strike, working load 1.300 N.

<sup>3)</sup> Max. tensile strength: 1.500 N with V951L07-\*BP\* and V951L52-1BP strike, working load 1.000 N.


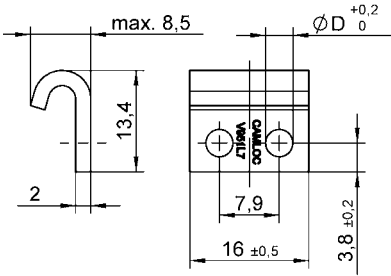

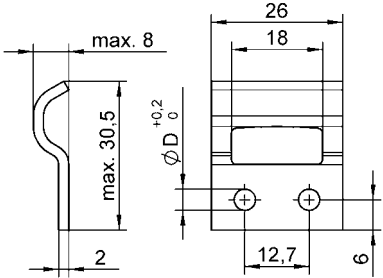

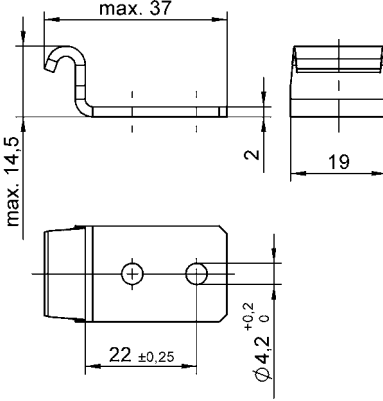
<sup>4)</sup> Due to the mounting geometry, tensile strength reduced to approx. 1200 N, working load 800 N.

Style	Dimensions	Materials / Finish	Mounting Type <sup>1)</sup>	D	L	Part No.
<b>Secondary lock, open base</b>  		Steel / zinc-plated, CrVI-free, clear passivation <sup>2)</sup>	N	3,6	14,3	<b>V951L04-1X1AGV</b>
		Steel / zinc-plated, CrVI-free, clear passivation <sup>2)</sup>	N	4,2	12,7	<b>V951L04-1X5AGV</b>
		Steel / chrome-plated Interior parts: Steel / zinc-plated, CrVI-free, clear passivation Secondary lock: Stainless steel	N	3,6	14,3	<b>V951L04-1X1AD</b>
		Stainless steel <sup>3)</sup>	N	3,6	14,3	<b>V951L04-1X1BP</b>
		Stainless steel <sup>3)</sup>	N	4,2	12,7	<b>V951L04-1X5BP</b>
		Stainless steel <sup>3)</sup>	S	-	-	<b>V951L04-1X2BP</b>
<b>Secondary lock, concealed base <sup>4)</sup></b>  		Steel / zinc-plated, CrVI-free, clear passivation	N	4,2	12,7	<b>V951L03-1X5AGV</b>
		Steel / chrome-plated Interior parts: Steel / zinc-plated, CrVI-free, clear passivation Secondary lock: Stainless steel	N	3,6	14,3	<b>V951L03-1X1AD</b>
		Stainless steel	N	3,6	14,3	<b>V951L03-1X1BP</b>
		Stainless steel	N	4,2	12,7	<b>V951L03-1X5BP</b>

For footnotes refer to page F-1.

Style	Dimensions	Materials / Finish	Mounting Type <sup>1)</sup>	D	Part No.
<b>Secondary lock, high base</b>  		Steel / zinc-plated, CrVI-free, clear passivation Secondary lock: Stainless steel <sup>2)</sup>	N	4,2	<b>V951L05-1X1AGV</b>
		Stainless steel <sup>3)</sup>	N	4,2	<b>V951L05-1X1BP</b>
<b>Hasp</b>  	 <p>Hasp for Padlock Ø 6 max.</p>	Steel / zinc-plated, CrVI-free, clear passivation <sup>2)</sup> Base: Steel / zinc-plated	S	-	<b>V951L01-1Y2AGV</b>
		Steel / zinc-plated, CrVI-free, clear passivation <sup>2)</sup>	N	4,2	<b>V951L01-1Y5AGV</b>

For footnotes refer to page F-1.

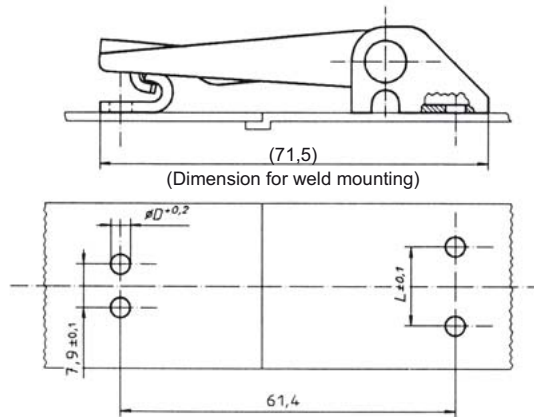
Style	Dimensions	Materials / Finish	Mounting Type <sup>1)</sup>	D	Part No.
<b>Open</b>  		Steel / zinc-plated, CrVI-free, clear passivation	N	3,6	<b>V951L7-1AGV</b>
		Steel / zinc-plated, CrVI-free, clear passivation	N	4,2	<b>V951L7-5AGV</b>
		Steel / zinc-plated	S <sup>2)</sup>	-	<b>V951L7-2AZ</b>
		Steel / chrome-plated	N	3,6	<b>V951L7-1AD</b>
		Stainless steel	N	3,6	<b>V951L7-1BP</b>
		Stainless steel	N	4,2	<b>V951L7-5BP</b>
		Stainless steel	S	-	<b>V951L7-2BP</b>
<b>Closed</b>  		Steel / zinc-plated, CrVI-free, clear passivation	N	4,2	<b>V951L50-1AGV</b>
		Stainless steel	N	4,2	<b>V951L50-1BP</b>
		Stainless steel	N	3,6	<b>V951L50-2BP</b>
		Stainless steel	S	-	<b>V951L50-3BP</b>
<b>Corner mounting</b>  		Steel / zinc-plated, CrVI-free, clear passivation	N	4,2	<b>V951L52-1AGV</b>
		Stainless steel	N	4,2	<b>V951L52-1BP</b>

<sup>1)</sup> Mounting type: N = With holes for riveting or screw fixing  
S = Without holes, for welding

<sup>2)</sup> Material C45, HRC 36-39 steel, please use high-alloy filler welding rods

Dimensions

**Open-base tension latch / open strike**

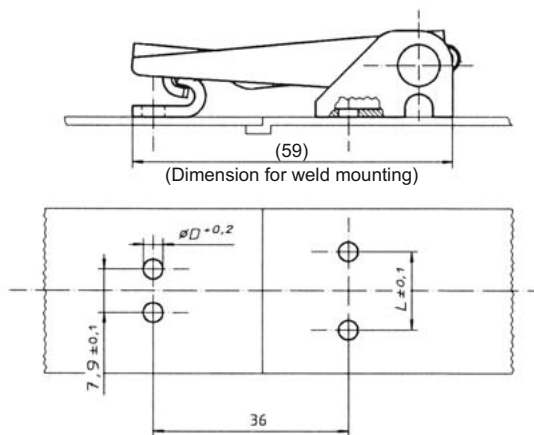


V951L02-  
V951L04-  
V951L01-

V951L7-

Select diameter D and distance L in accordance with the strike and tension latch style.

**Concealed-base tension latch / open strike**

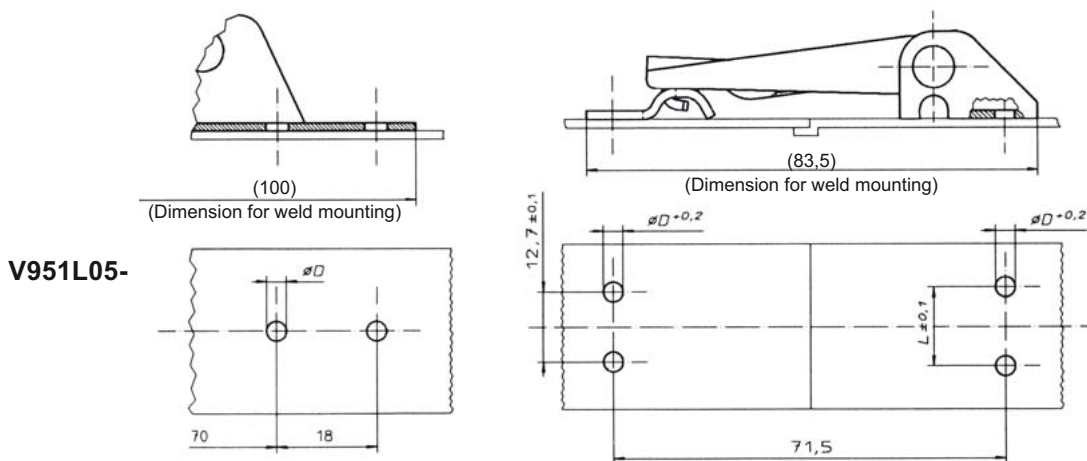


V951L03-

V951L7-

Select diameter D and distance L in accordance with the strike and tension latch style.

**Open-base tension latch / closed strike**



V951L02-  
V951L04-  
V951L01-

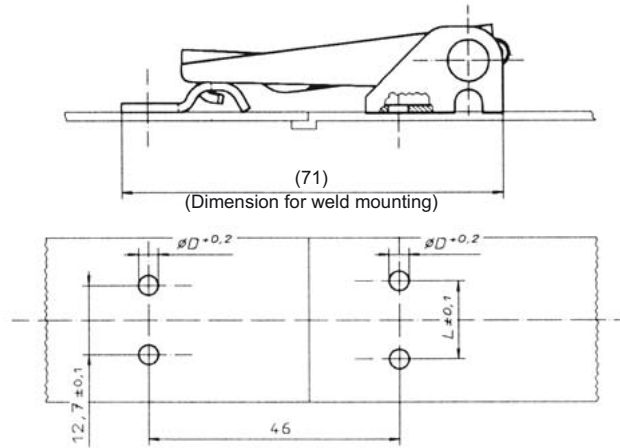
V951L50-

V951L05-

Select diameter D and distance L in accordance with the strike and tension latch style.

Dimensions

**Concealed-base tension latch / closed strike**

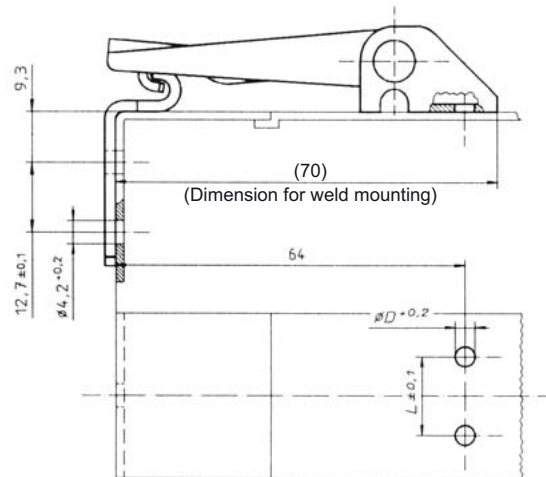


V951L03-

V951L50-

Select diameter D and distance L in accordance with the strike and tension latch style.

**Open-base tension latch / corner-mounting strike**

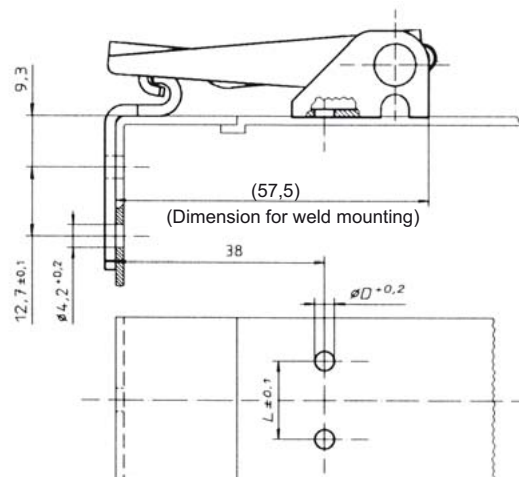


V951L02-  
V951L04-  
V951L01-

V951L52-

Select diameter D and distance L in accordance with the strike and tension latch style.

**Concealed-base tension latch / corner-mounting strike**


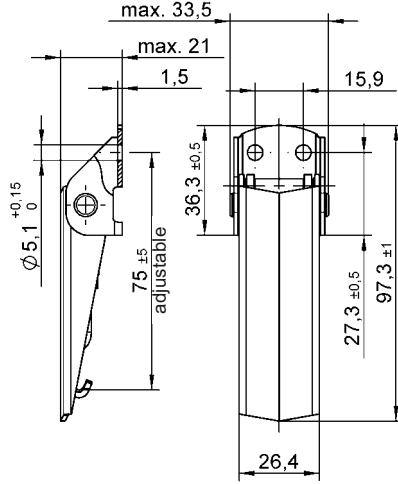

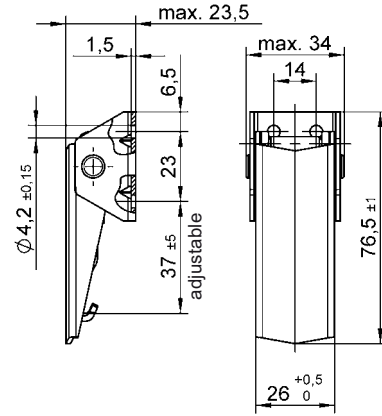


V951L03-


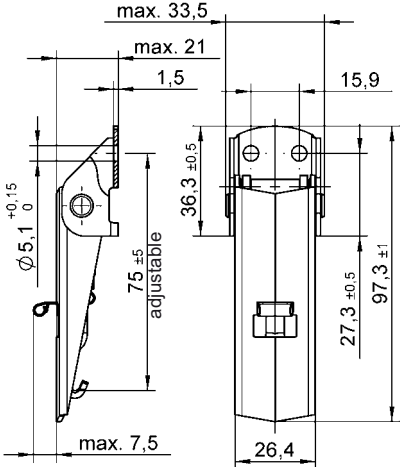

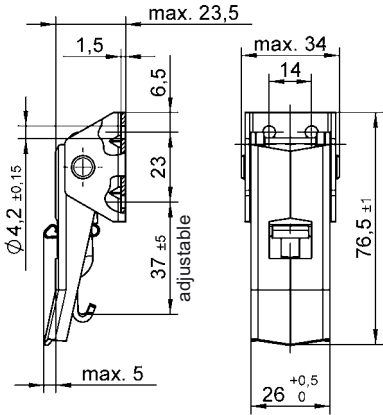

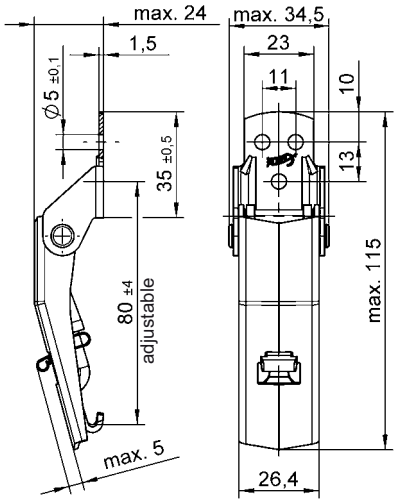
V951L52-

Select diameter D and distance L in accordance with the strike and tension latch style.

Max. tensile strength 3.600 N, working load max. 2.700 N, see footnotes.  
Adjustable drawhook  
Available with secondary lock and hasp


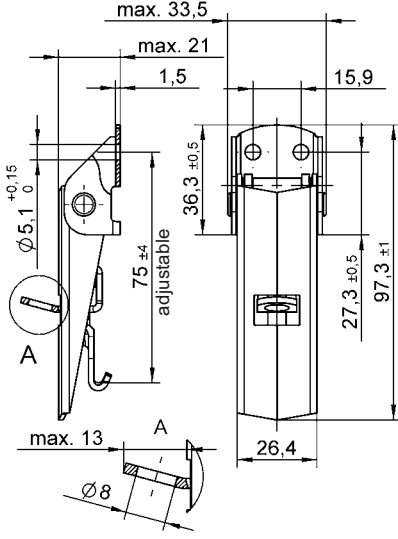
Style	Dimensions	Materials / Finish	Mounting Type <sup>1)</sup>	D	Part No.
<b>Open base</b>  		Steel / zinc-plated, CrVI-free, clear passivation <sup>2)</sup>	N	5,1	<b>V917L01-1-1AG</b>
		Stainless steel <sup>3)</sup>	N	5,1	<b>V917L01-1-1BP</b>
<b>High base</b>  		Steel / zinc-plated, CrVI-free, clear passivation <sup>2)</sup>	N	4,2	<b>V17L12-1-1AA</b>

- <sup>1)</sup> Mounting type: N = With hole for riveting or screw fixing  
S = Without holes, for welding
- <sup>2)</sup> Max. tensile strength: 3.200 N with V917L11-1- \*AG strike, working load 2.200 N.  
2.200 N with V951L50-1- \*AGV strike, working load 1.500 N.
- <sup>3)</sup> Max. tensile strength: 3.600 N with V951L50-1- \*BP strike, working load 2.700 N.  
max. 2.300 N with V917L11-1-1BP strike, working load 1.550 N.


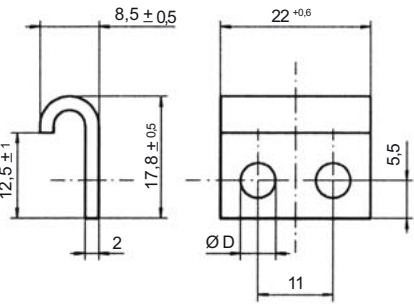

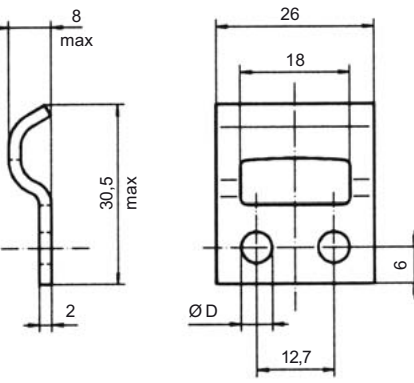
Style	Dimensions	Materials / Finish	Mounting Type <sup>1)</sup>	D	Part No.
<b>Secondary lock, open base</b> 		Steel / zinc-plated, CrVI-free, clear passivation <sup>2)</sup>	N	5,1	<b>V917L01-1X1AG</b>
		Stainless steel <sup>3)</sup>	N	5,1	<b>V917L01-1X1BP</b>
		Stainless steel <sup>3)</sup>	S	-	<b>V917L01-1X2BP</b>
		Stainless steel V4A <sup>3)</sup>	N	5,1	<b>V917L01-1X1CP</b>
		Stainless steel V4A <sup>3)</sup>	S	-	<b>V917L01-1X2CP</b>
<b>Secondary lock, high base</b> 		Steel / zinc-plated, CrVI-free, clear passivation <sup>2)</sup>	N	4,2	<b>V17L12-2X1AA</b>
<b>Secondary lock, for curved surfaces (R min = 125 mm)</b> 		Steel / zinc-plated, CrVI-free, clear passivation <sup>2)</sup>	N	5,0	<b>1449L02-1X1AG</b>
		Stainless steel <sup>3)</sup>	N	5,0	<b>1449L02-1X1BP</b>

For footnotes refer to page G-1.



Style	Dimensions	Materials / Finish	Mounting Type <sup>1)</sup>	D	Part No.
<p><b>Open base, with hasp</b></p> 		Steel / zinc-plated, CrVI-free, clear passivation <sup>2</sup>	N	5,1	<b>V917L01-1Y1AG</b>

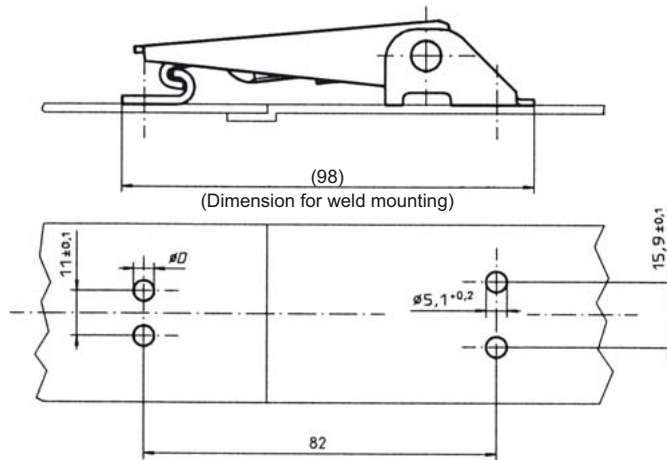
**Strikes**

Style	Dimensions	Materials / Finish	Mounting Type <sup>1)</sup>	D	Part No.
<p><b>Open</b></p> 		Steel / zinc-plated, CrVI-free, clear passivation	N	5,1	<b>V917L11-1-1AG</b>
		Steel / zinc-plated, CrVI-free, clear passivation	N	4,2	<b>V917L11-1-3AG</b>
		Stainless steel	N	5,1	<b>V917L11-1-1BP</b>
<p><b>Closed</b></p> 		Steel / zinc-plated, CrVI-free, clear passivation	N	4,2	<b>V951L50-1AGV</b>
		Steel / zinc-plated, CrVI-free, clear passivation	N	5,1	<b>V951L50-5AGV</b>
		Stainless steel	N	4,2	<b>V951L50-1BP</b>
		Stainless steel	S	-	<b>V951L50-3BP</b>

For footnotes refer to page G-1.

Dimensions

**Open-base tension latch / open strike**

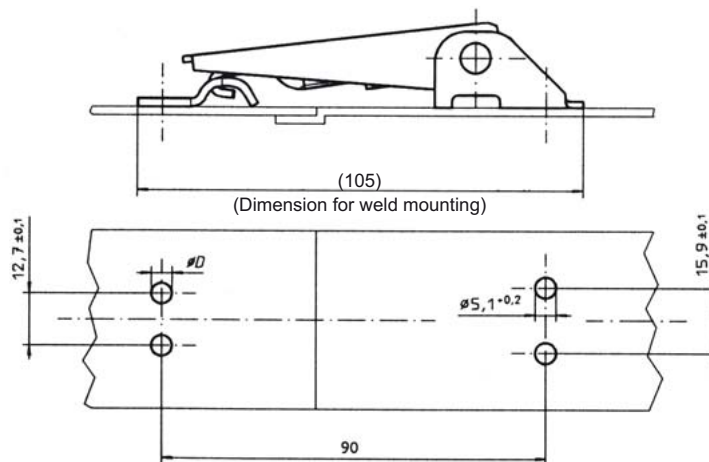


V917L01-

V917L11-

Select diameter D in accordance with the strike style.

**Open-base tension latch / closed strike**

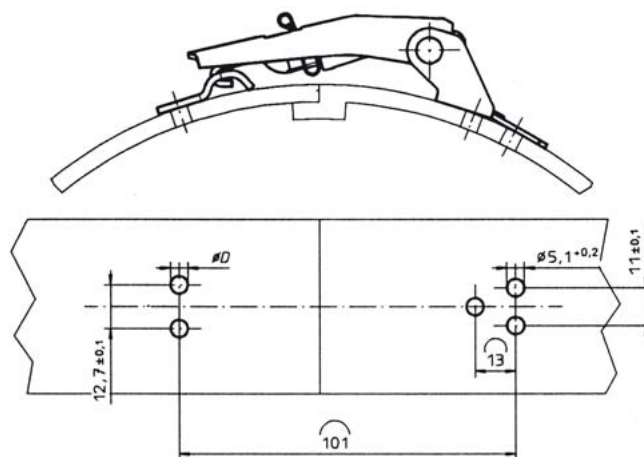


V917L01-

V951L50-

Select diameter D in accordance with the strike style.

**Tension latch for curved surfaces**



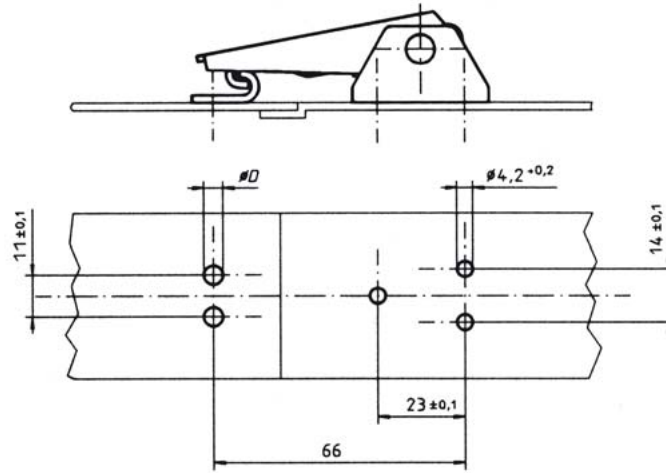
1449L02-

V951L50-

Select diameter D in accordance with the strike style.

Dimensions

High-base tension latch / open strike


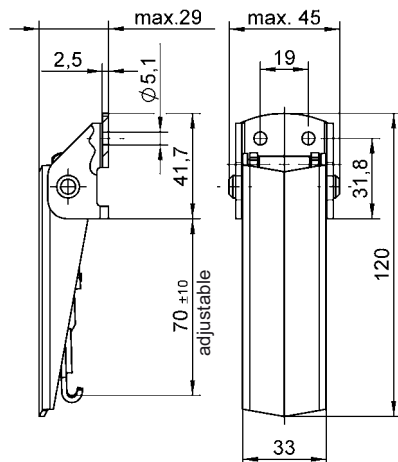

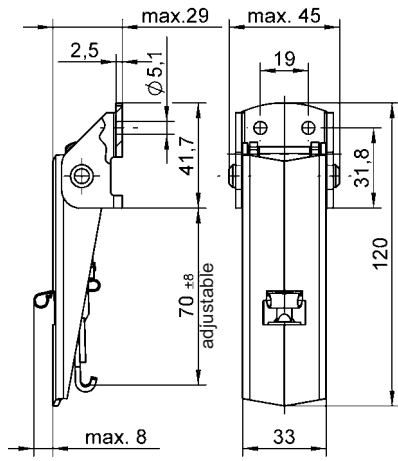


V17L12-

V917L11-

Select diameter D in accordance with the strike style.


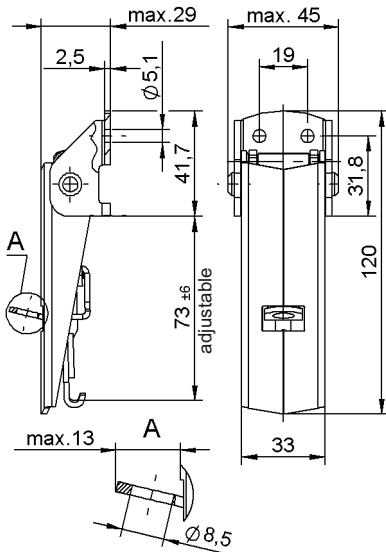
Max. tensile strength 6.000 N, working load max. 4.200 N, see footnotes.  
Adjustable drawhook  
Available with secondary lock, hasp and lift spring

Style	Dimensions	Materials / Finish	Mounting Type <sup>1)</sup>	D	Part No.
		Steel / zinc-plated, CrVI-free, clear passivation <sup>2)</sup>	N	5,1	<b>V18L01-1-1AA</b>
		Stainless steel <sup>3)</sup>	N	5,1	<b>V18L01-1-1BF</b>
		Stainless steel <sup>3)</sup>	S	-	<b>V18L01-1-2BF</b>
<b>With secondary lock</b> 		Steel / zinc-plated, CrVI-free, clear passivation <sup>2)</sup>	N	5,1	<b>V18L01-1X1AA</b>
		Stainless steel <sup>3)</sup>	N	5,1	<b>V18L01-1X1BF</b>
		Stainless steel <sup>3)</sup>	S	-	<b>V18L01-1X2BF</b>

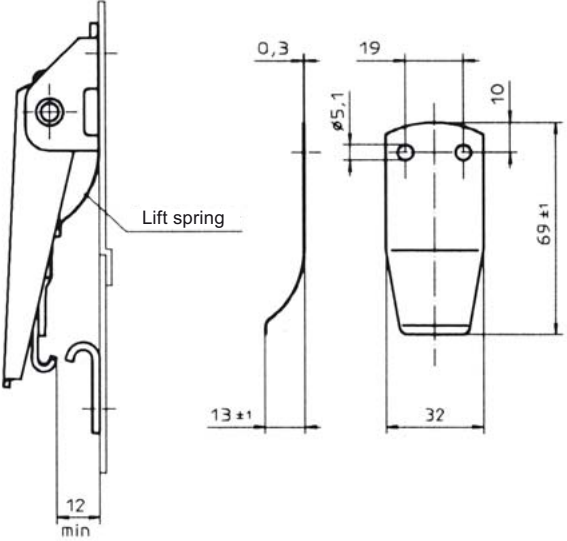
<sup>1)</sup> Mounting type: N = With hole for riveting or screw fixing  
S = Without holes, for welding

<sup>2)</sup> Max. tensile strength: 6.000 N with V18L13-1-1AA strike, working load 4.200 N.


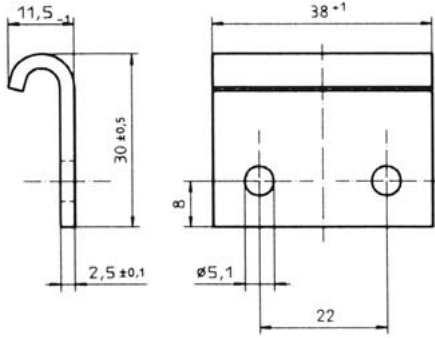

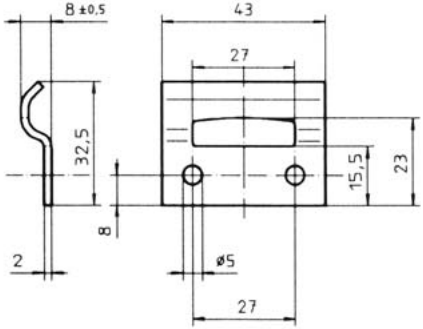
<sup>3)</sup> Max. tensile strength: 4.600 N with V18L13-1-\*BF or 1449L07-1BP strike, working load 3.100 N.

Style	Dimensions	Materials / Finish	Mounting Type <sup>1)</sup>	D	Part No.
<p><b>Hasp</b></p> 		Steel / zinc-plated, CrVI-free, clear passivation <sup>2)</sup>	N	5,1	<b>V18L01-1Y1AA</b>

**Accessories**

Dimensions	Materials / Finish	Mounting Type <sup>1)</sup>	D	Part No.
<p><b>Lift spring</b></p> 	Stainless steel	N	5,1	<b>V18L45-1BP</b>

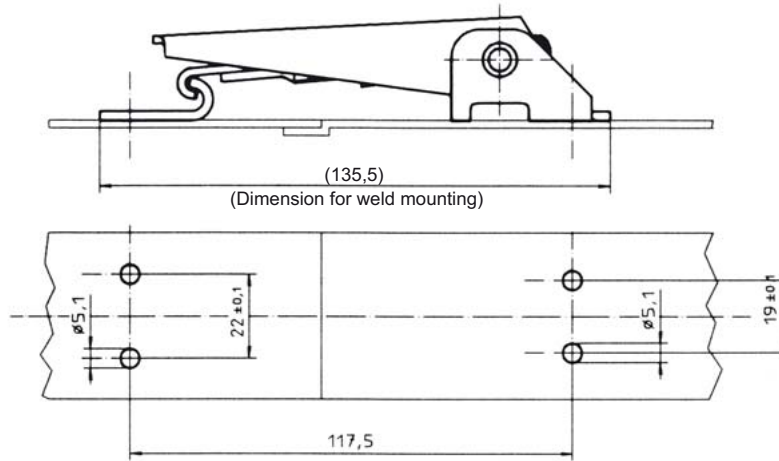
For footnotes refer to page H-1.

Style	Dimensions	Materials / Finish	Mounting Type <sup>1)</sup>	D	Part No.
<b>Open</b>  		Steel / zinc-plated, CrVI-free, clear passivation <sup>2)</sup>	N	5,1	<b>V18L13-1-1AA</b>
		Stainless steel	N	5,1	<b>V18L13-1-1BF</b>
		Stainless steel	S	-	<b>V18L13-1-2BF</b>
<b>Closed</b>  		Stainless steel	N	5,0	<b>1449L07-1BP</b>

For footnotes refer to page H-1.

Dimensions

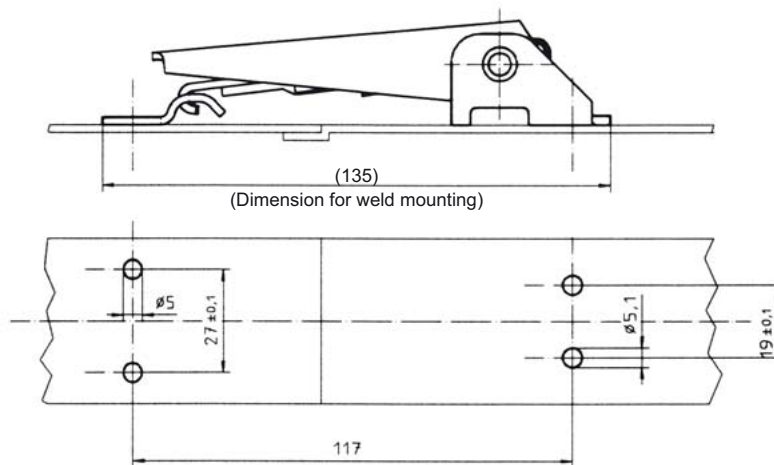
**Tension latch / open strike**



V18L01-

V18L13-


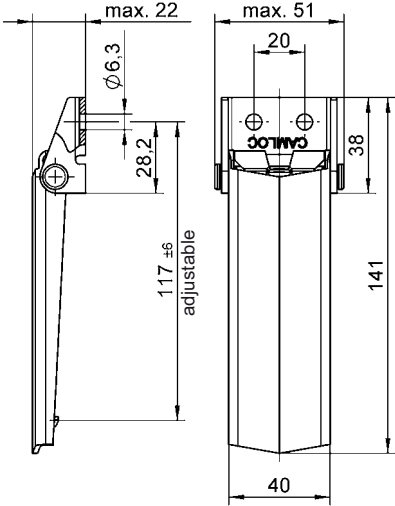
**Tension latch / closed strike**




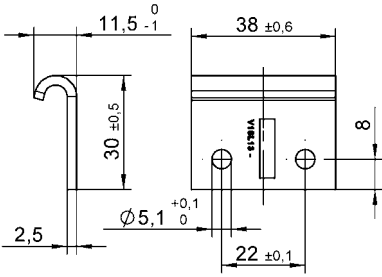
V18L01-

1449L07-

Max. tensile strength 4.500 N, working load 3.000 N.  
Adjustable drawhook

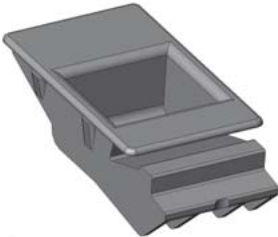
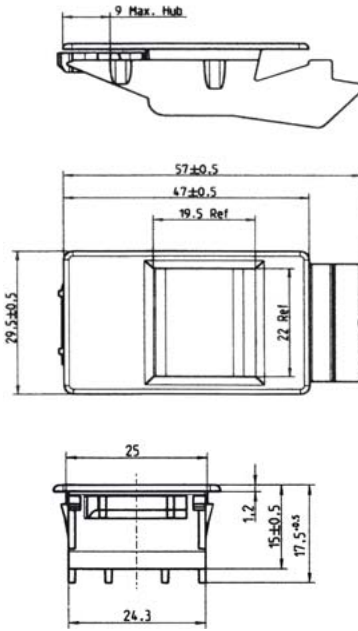
Style	Dimensions	Materials / Finish	Mounting Type <sup>1)</sup>	D	Part No.
		Steel / zinc-plated and yellow chromate	N	6,3	<b>V46L38-1-6AA</b>
		Steel / zinc-plated and yellow chromate	S	-	<b>V46L38-1-1AA</b>

## Strike

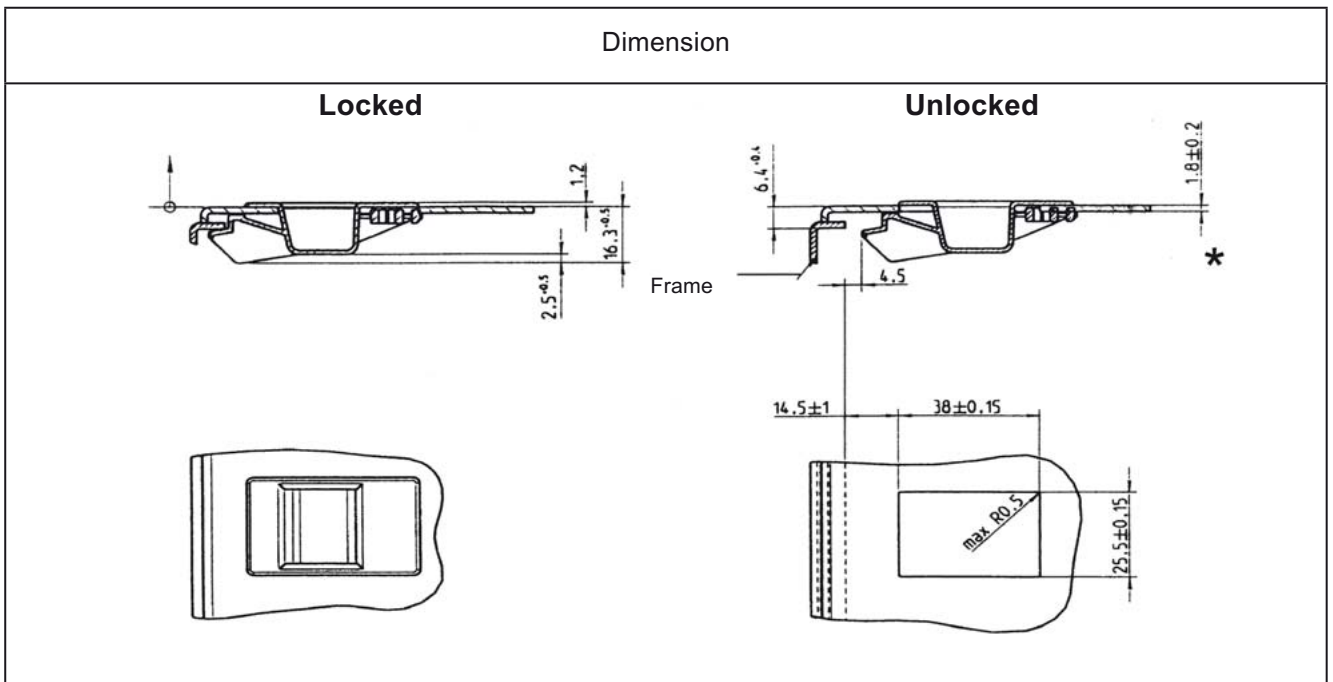
Style	Dimensions	Materials / Finish	Mounting Type <sup>1)</sup>	D	Part No.
		Steel / zinc-plated and yellow chromate	N	5,1	<b>V18L13-1-1AC</b>

<sup>1)</sup> Mounting type: N = With hole for riveting or screw fixing  
S = Without holes, for welding

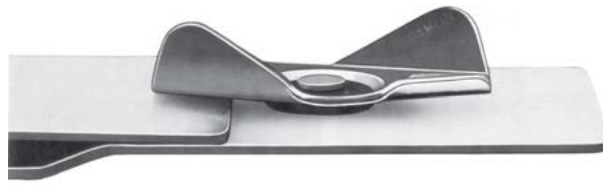


Style	Dimensions	Materials / Finish	°C	Part No.
<p><b>Slam latch</b></p> 	 <p>9 Max. Hub</p> <p>57±0.5</p> <p>47±0.5</p> <p>19.5 Ref</p> <p>29.5±0.5</p> <p>22 Ref</p> <p>25</p> <p>1.2</p> <p>15±0.5</p> <p>17.5±0.5</p> <p>24.3</p>	Plastic (POM) black	-10 up to +60	<b>2939L01-01-1K</b>

## Installation Instructions



\* Other panel thicknesses upon request.



**Particular Features**

Simple and economic fastener for lids, etc.

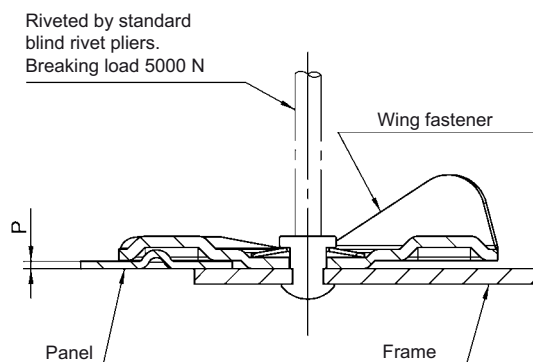
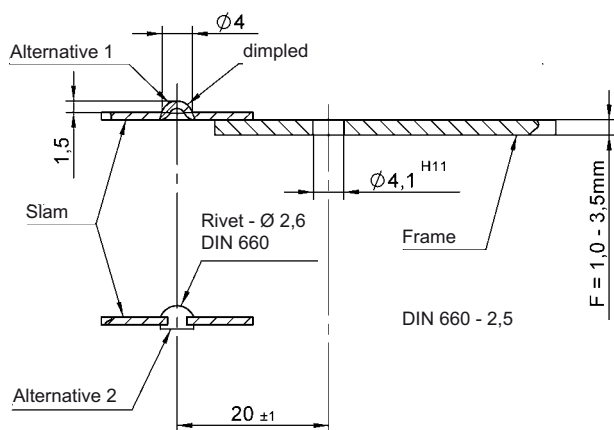
Easy installation by blind riveting.

¼ Turn to lock

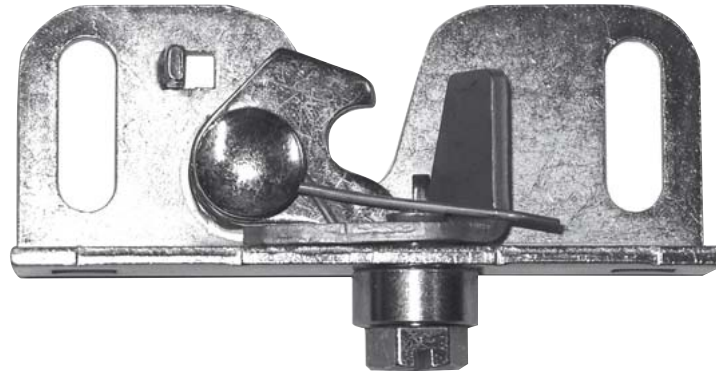
Secure locking on detent.

Dimensions	Materials / Finish	°C	Part No.
	<p>Steel / zinc-plated, CrVI-free, clear passivation</p>	<p>100</p>	<p><b>52E02-*-1AG</b></p>

**Selection and Installation Instructions**

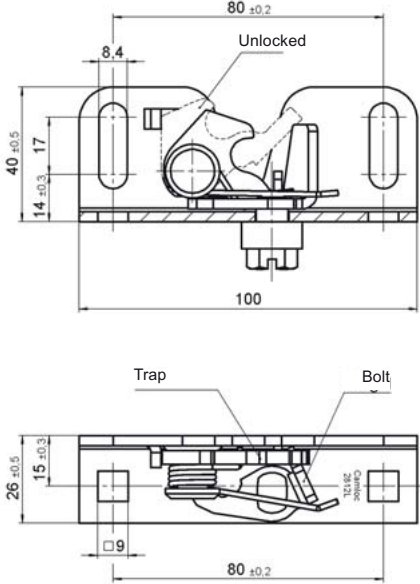


Part No.	Panel Thickness P	Height H
52E02-01-1AG	0 (flush)	0,7
52E02-02-1AG	1	1,1
52E02-03-1AG	2	1,7

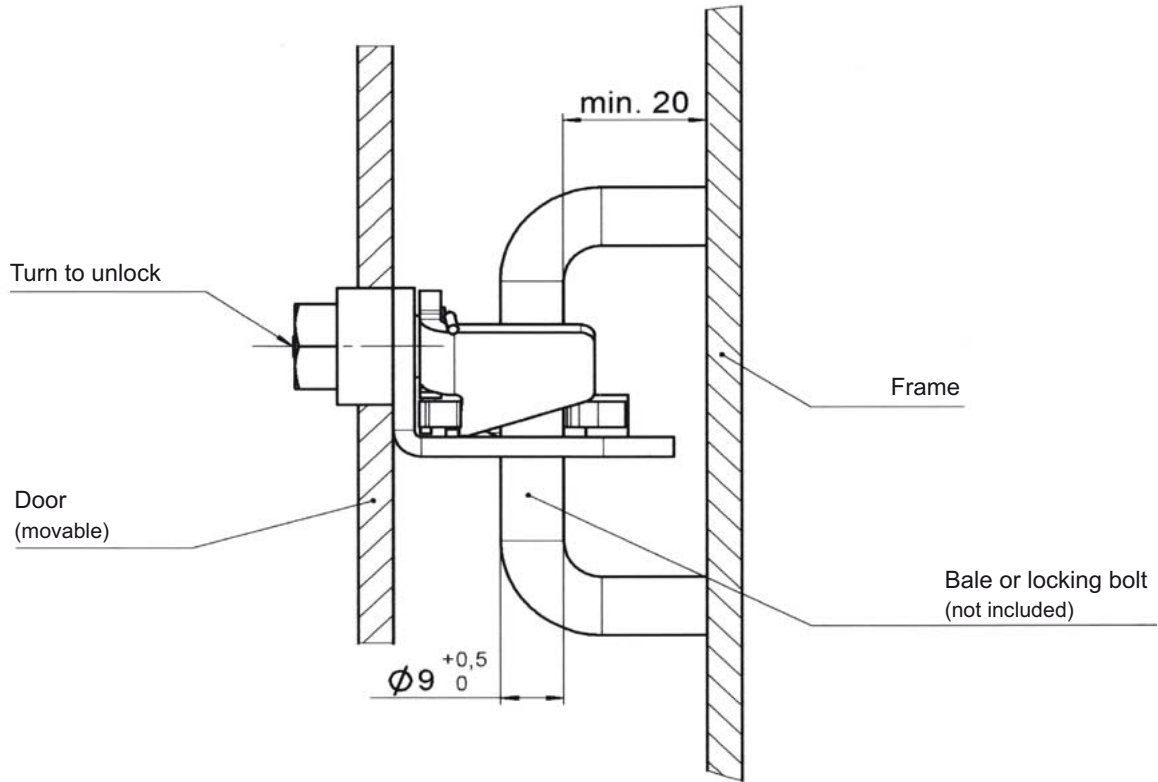


**Particular Features**

- Robust slam latch, self locking
- Max. locking force: 230 N
- Max. tension strength: 2.400 N
- Max. torque: 40 Nm

Dimensions	Materials / Finish	°C	Part No.
	<p>Steel / zinc-plated and yellow chromated Bolt: zinc flake coated</p>	<p>100</p>	<p><b>2812L03-1AF</b></p>

Dimension



Part No.	Page	Part No.	Page	Part No.	Page
1429L02-1-1AG	E1	V917L01-1X2BP	G2	V951L50-1AGV	F4,G3
1429L02-1-1BP	E1	V917L01-1X1CP	G2	V951L50-1BP	F4,G3
1429L02-1X1AG	E2	V917L01-1X2CP	G2	V951L50-2BP	F4
1429L02-1X1BP	E2	V917L01-1Y1AG	G3	V951L50-3BP	F4,G3
1429L02-2-1AG	E1	V917L11-1-1AG	G3	V951L50-5AGV	G3
1429L02-2-1BP	E1	V917L11-1-3AG	G3	V951L52-1AGV	F4
1429L02-2X1AG	E3	V917L11-1-1BP	G3	V951L52-1BP	F4
1429L02-2X1BP	E3	V934L01-1-1AGV	B1	V951L7-1AD	F4
1429L02-3-1AG	E2	V934L01-1X1AGV	B1	V951L7-1AGV	F4
1429L02-3-1BP	E2	V934L02-1AGV	B1	V951L7-1BP	F4
1429L02-3X1AG	E3	V934L01-1-1BP	B1	V951L7-2AZ	F4
1429L02-3X1BP	E3	V934L01-1X1BP	B1	V951L7-2BP	F4
1429L8-1AG	E4	V934L02-1BP	B1	V951L7-5AGV	F4
1429L8-1BP	E4	V95H07-1-1BP	C1	V951L7-5BP	F4
1429L9-1AG	E4	V95L07-1-1BC	C1	V96H01-1-1AO	D1
1429L9-1BP	E4	V95L15-1BD	C1	V96L01-1-1AG	D1
1449L02-1X1AG	G2	V951L01-1Y2AGV	F3	V96L01-1-1AO	D1
1449L02-1X1BP	G2	V951L01-1Y5AGV	F3	V96H01-1-2AO	D1
1449L07-1BP	H3	V951L02-1-1AD	F1	V96L01-1-2AG	D1
2812L03-1AF	L1	V951L02-1-1AGV	F1	V96L01-1-2AO	D1
2939L01-01-1K	J1	V951L02-1-1BP	F1		
52E02-*-1AG	K1	V951L02-1-2AGV	F1		
V17L12-1-1AA	G1	V951L02-1-2BP	F1		
V17L12-2X1AA	G2	V951L02-1-5AGV	F1		
V18L01-1-1AA	H1	V951L02-1-5BP	F1		
V18L01-1-1BF	H1	V951L03-1-1AD	F1		
V18L01-1-2BF	H1	V951L03-1-1AGV	F1		
V18L01-1X1AA	H1	V951L03-1-1BP	F1		
V18L01-1X1BF	H1	V951L03-1-5AGV	F1		
V18L01-1X2BF	H1	V951L03-1-5BP	F1		
V18L01-1Y1AA	H2	V951L03-1X1AD	F2		
V18L13-1-1AA	H3	V951L03-1X1BP	F2		
V18L13-1-1BF	H3	V951L03-1X5AGV	F2		
V18L13-1-2BF	H3	V951L03-1X5BP	F2		
V18L13-1-1AC	I1	V951L04-1X1AD	F2		
V18L45-1BP	H2	V951L04-1X1AGV	F2		
V46L38-1-6AA	I1	V951L04-1X1BP	F2		
V46L38-1-1AA	I1	V951L04-1X2BP	F2		
V917L01-1-1AG	G1	V951L04-1X5AGV	F2		
V917L01-1-1BP	G1	V951L04-1X5BP	F2		
V917L01-1X1AG	G2	V951L05-1X1AGV	F3		
V917L01-1X1BP	G2	V951L05-1X1BP	F3		