

Description

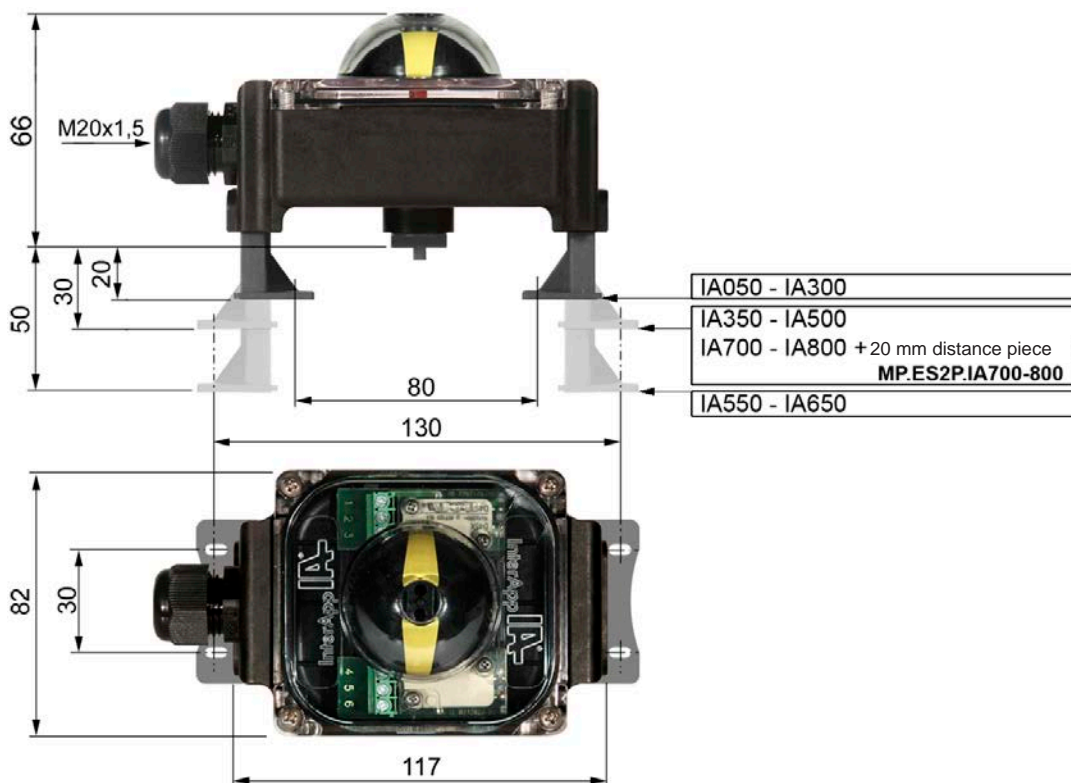
The plastic limit switch box is for direct mounting on pneumatic actuators IA050-IA600. The mounting brackets can be used for all standard NAMUR (VDI/VDE3845) top mounting hole spacing 80x30mm and 130x30mm and standard NAMUR shaft heights 20, 30, 40 and 50mm.

Product features

- Housing cover Polycarbonate clear, UV resistant, self extinguishing rate V0
- Housing base PPE (Polyphenyl Ether) black, self extinguishing rate V0, IP65
- Limit switches 1x ON, 1x OFF
- Cam with 2 independent adjustable cams
- Cable gland M20 x 1,5



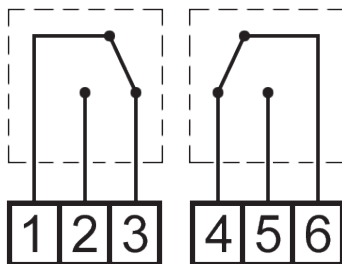
Dimensions



Configuration

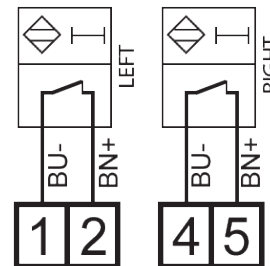
ES2.P01H

Box with
mechanical microswitches
max. 5A@250V~ - 3A@24=
min. 50mA@250V~ - 50mA@24=
IP65, T = -15°C ...80°C



ES2.P70A

Box with
proximity switches,
Ex II 2GD Ex ia IIC T6
NAMUR P+F NJ2 V3 N
0-8V=, 3mA, 2-wire
IP65, T = -15°C ...80°C

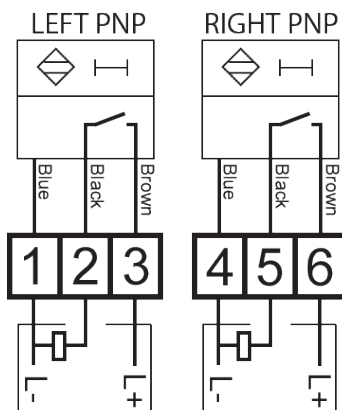


ES2.P03H

with gold contacts
max. 3A@250V~ - 1A@24=
min. 5mA@250V~ - 1mA@24=

ES2.P73H

Box with
proximity switches, PNP
P+F NBB2 V3 E2
10-30V=, 200mA, 3-wire
IP65, T = -15°C ...70°C



ES2.P75H

Box with
proximity switches
IFM IS 5026
5-36V=, 4-200mA, 2-wire NC/NO
IP65, T = -15°C ...80°C

