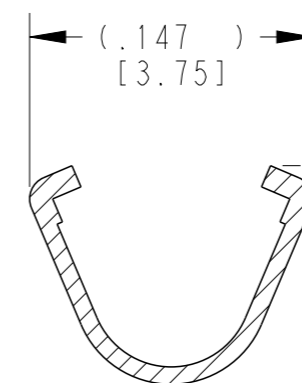
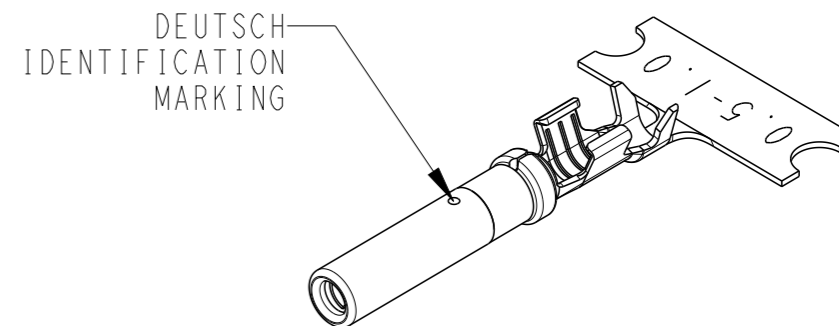
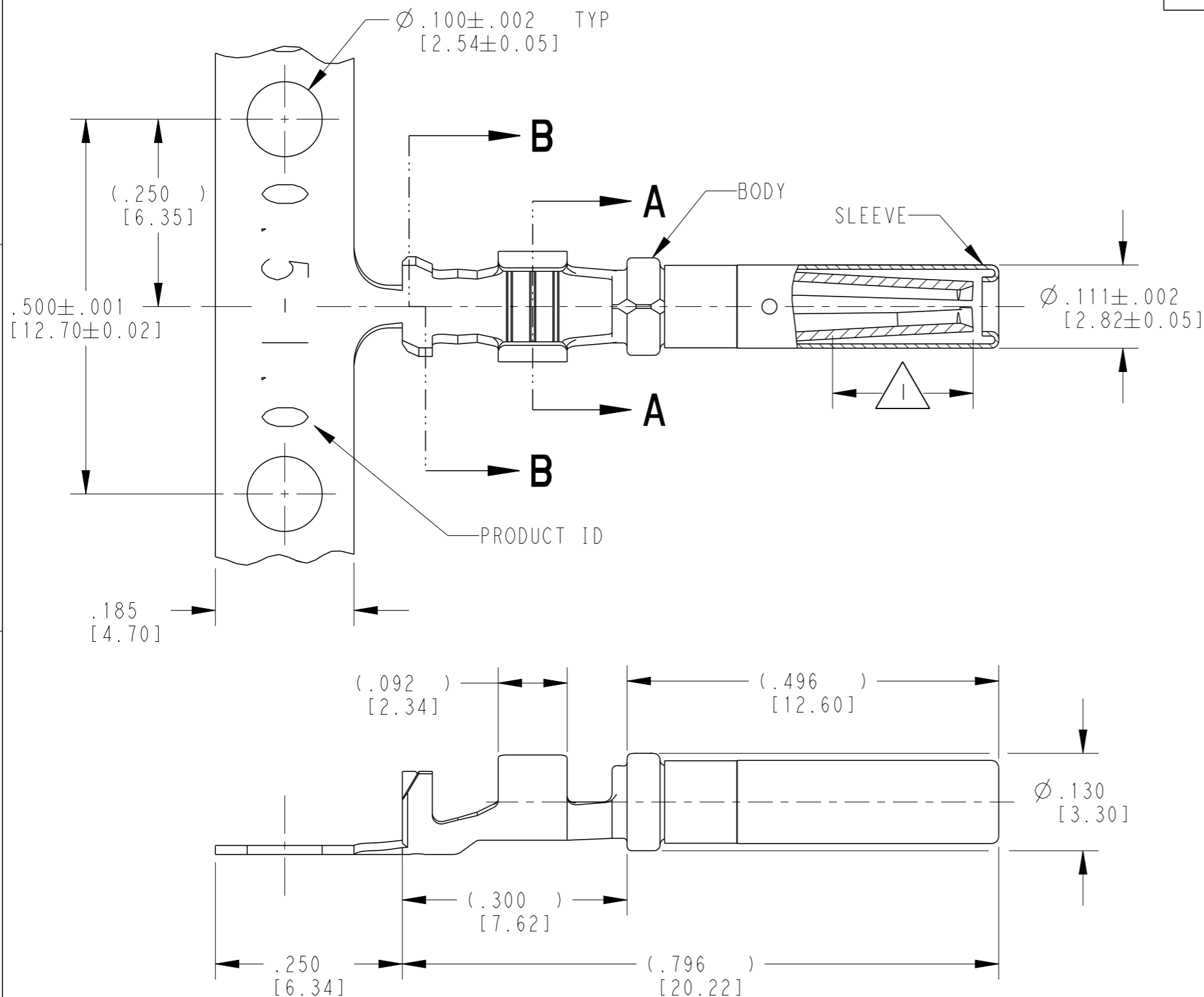
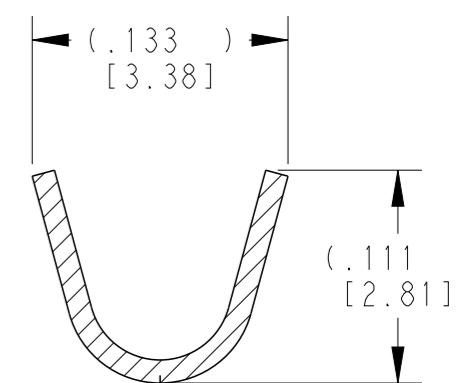


LOC	DIST	REVISIONS					
		P	LTR	DESCRIPTION	DATE	DWN	APVD
		C		REVISED PER E.O. P16999	08DEC2000	SP	RDR
		D		REVISED PER E.O. P19510	18MAY2007	JA	RDR
		E		REVISED PER E.O. P20396	26JUN2010	JA	RDR
		F		REVISED PER ECO-15-007761	28MAY2015	RL	DM



**SECTION A-A**  
WIRE BARREL



**SECTION B-B**  
INSULATION BARREL

TE INTERNAL PN	DEUTSCH PN	PLATING
1062-16-0622	1062-16-0622	NICKEL
1062-16-0644	1062-16-0644	SELECTIVE GOLD
1062-16-0677	1062-16-0677	TIN
1062-16-0688	1062-16-0688	PALLADIUM NICKEL

3 MATERIAL:  
 BODY: .012 [0.30] THICK COPPER ALLOY  
 SLEEVE: STAINLESS STEEL

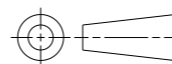
2. WIRE RANGE: 20 AWG TO 16 AWG [0.5-1.0 mm<sup>2</sup>]  
 INSULATION RANGE:  $\phi .055-.100$  [ $\phi 1.40-2.54$ ]

1 APPLIES ONLY TO SELECTIVE GOLD 1062-16-0644.  
 INDICATED DIMENSION SHOWS GOLD PLATED AREA.

NOTES: UNLESS OTHERWISE SPECIFIED

THIS DRAWING IS A CONTROLLED DOCUMENT.

DIMENSIONS:  
INCHES [mm]



MATERIAL  
3

TOLERANCES UNLESS OTHERWISE SPECIFIED:

0 PLC	±
1 PLC	±
2 PLC	±
3 PLC	±0.025 [0.64]
4 PLC	±
ANGLES	±

FINISH  
SEE TABLE

DWN 28NOV2000

CHK STEVE PALLUTH

APVD VLADIMIR TOMSA

R. REED 08DEC2000

PRODUCT SPEC

0425-015-0000

APPLICATION SPEC

114-151000

WEIGHT 0.42 g

NAME  
SOCKET, STAMPED AND FORMED  
SIZE 16  
16-20AWG

SIZE A3 CAGE CODE 4AFU8 DRAWING NO. C=1062-16-06XX RESTRICTED TO -

SCALE 6:1 SHEET 1 OF 1 REV F

Customer Drawing

