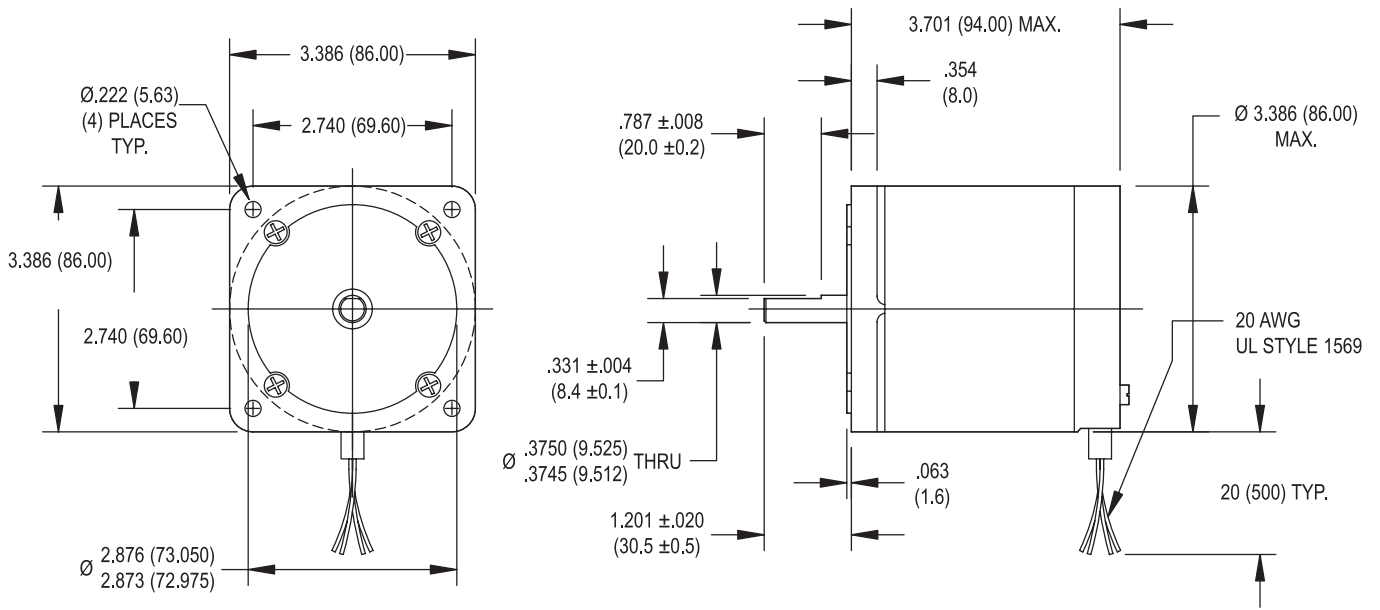
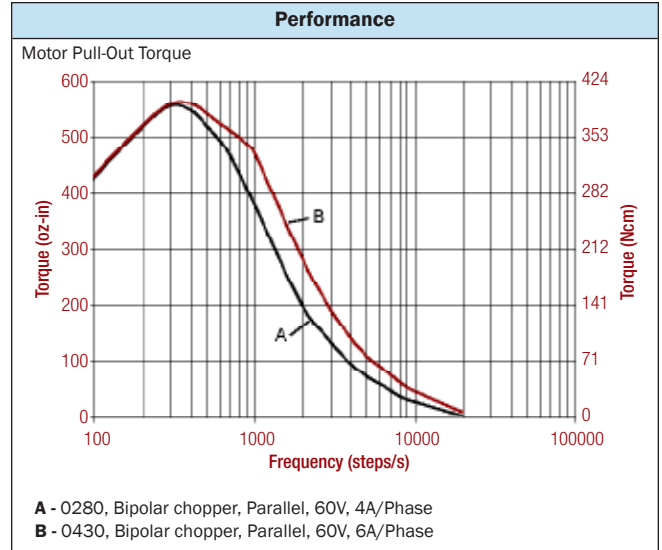


SIZE 34 STEPPER MOTOR DATA



Specification	Units	HN 200 3438	
		0280	0430
Rated Phase Current	A	2.80	4.30
Phase Resistance	Ω	1.7	0.75
Phase Inductance	mH	7.7	3.5
Holding Torque Unipolar	oz-in	538	538
	Ncm	380	380
Holding Torque Bipolar	oz-in	680	680
	Ncm	480	480
Detent Torque	oz-in	18	18
	Ncm	13	13
Rotor Inertia	oz-in-s ² x10 ⁻⁴	170	170
	g-cm ²	1200	1200
Motor Weight (Mass)	lb	5.3	5.3
	kg	2.4	2.4
Maximum Voltage	V	90	90
Std. No. of Leads	—	8	8

Available through the MotionExpress program.



- ### Standard Features
- Step angle: 1.8°
 - Step angle accuracy: 5%
 - Insulation class: B (130 °C)
 - NEMA 34 mounting configuration
 - Neodymium magnets
 - Additional windings and customization options available
 - CE approved

- ### Complementary Products
- Gearboxes
 - Encoders

