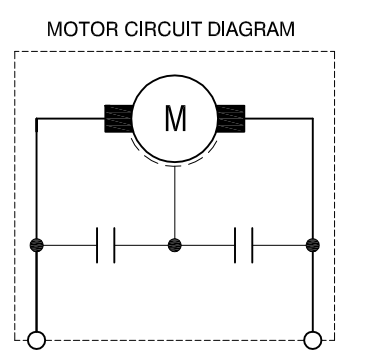


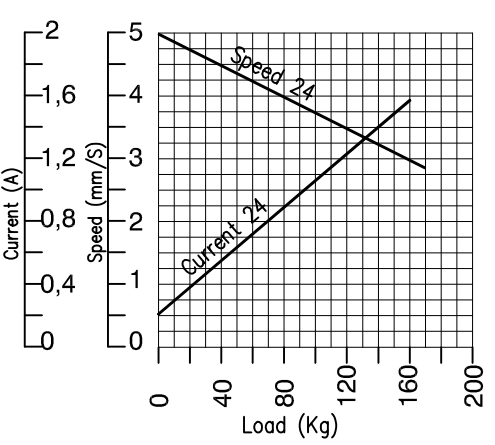
Fixing kit included		
	Q.ty	P/N
	1	9108001
	1	9108003
	2	8708003
	2	0012519



WITHOUT HALL SENSOR

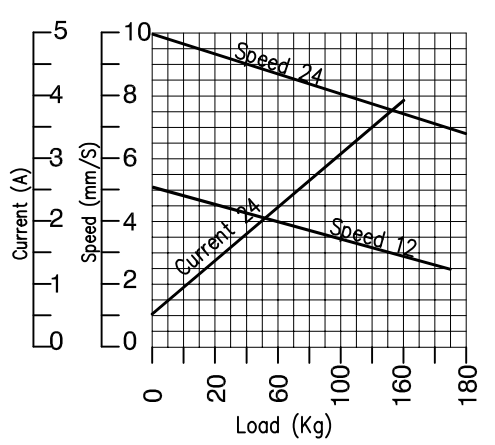
* TO USE WITH TRAPEZOIDAL SCREW TPN 10X3

P/N to order
A9908901



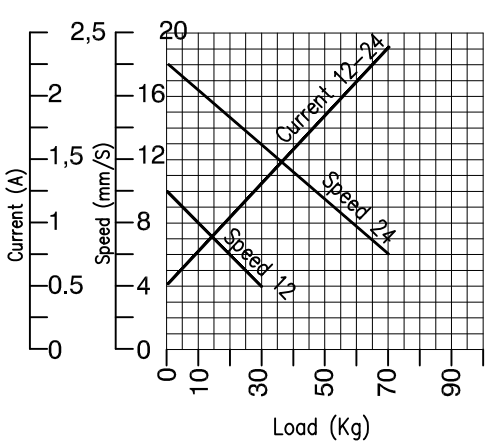
TECHNICAL SPECIFICATIONS	
Gear ratio	1:50
Nominal tension (V)	12/24
Nominal load (Kg)	40/100
Nominal current (A)	1/1
Duty-cycle	--/70%
Maximal load (Kg)	--/170
Unload speed (mm/s)	2.7/5

P/N to order
A9908904



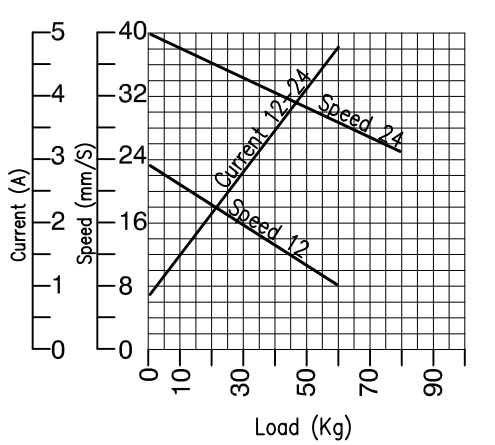
TECHNICAL SPECIFICATIONS	
Gear ratio	1:50
Nominal tension (V)	12/24
Nominal load (Kg)	120/120
Nominal current (A)	3.2/3.2
Duty-cycle	50% /30%
Maximal load (Kg)	160/210
Unload speed (mm/s)	5/10

P/N to order
A9908900



TECHNICAL SPECIFICATIONS	
Gear ratio	1:12
Nominal tension (V)	12/24
Nominal load (Kg)	20/40
Nominal current (A)	0,95/1,5
Duty-cycle	80% 50%
Maximal load (Kg)	30/70
Unload speed (mm/s)	8,6/18,5

P/N to order
A9908902



TECHNICAL SPECIFICATIONS	
Gear ratio	1:12
Nominal tension (V)	12/24
Nominal load (Kg)	40/40
Nominal current (A)	3.6/3.6
Duty-cycle	50% /30%
Maximal load (Kg)	60/80
Unload speed (mm/s)	20/40

P/N to order
A9908951

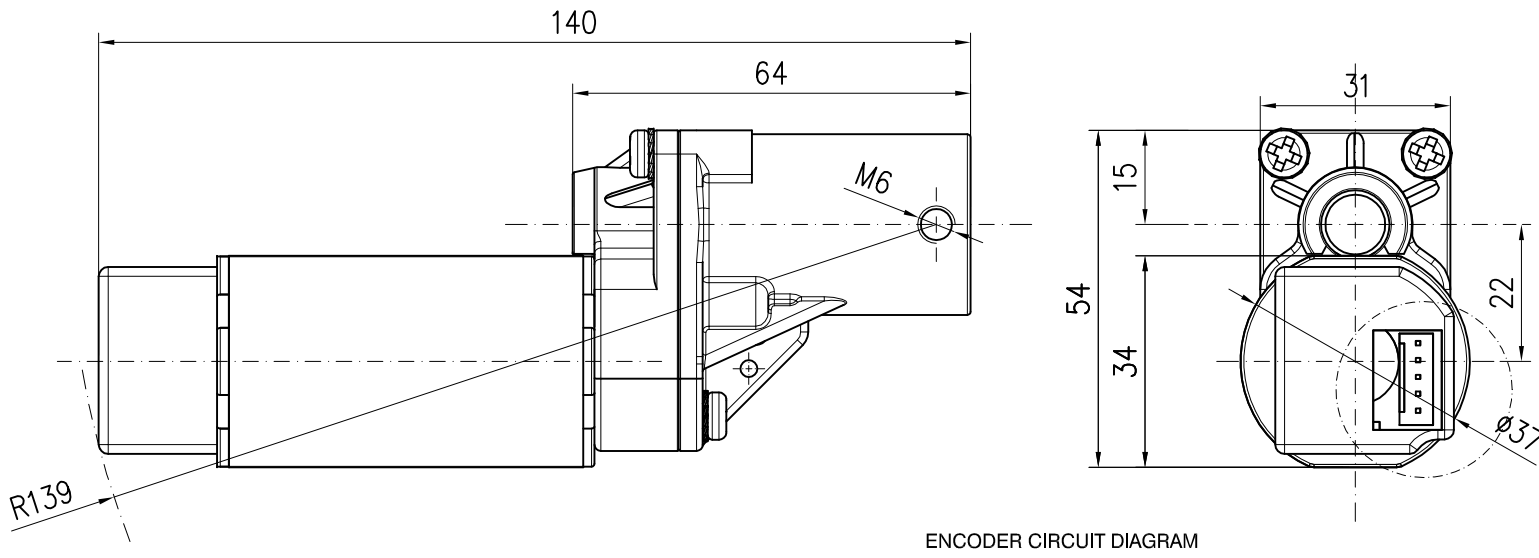
P/N to order
A9908954

P/N to order
A9908950

P/N to order
A9908952

* TO USE WITH TRAPEZOIDAL SCREW TPN 10X3

WITH HALL SENSOR



Fixing kit included		
	Q.ty	P/N
	1	9108001
	1	9108003
	2	8708003
	2	0012519

