

VESDA Filter Cartridge

VSP-005 & VSP-025

Features

- Easy swap replacement filter
- Fits VLC, VLF, VLP and VLS VESDA detectors
- Available singly or in packs of 20

Dimensions

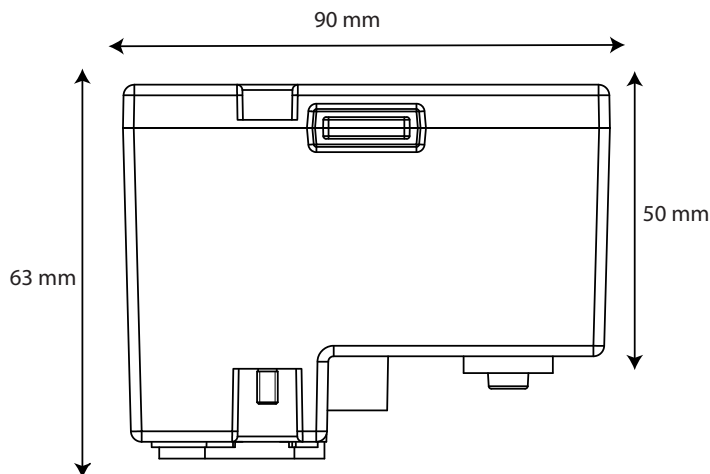
90 mm x 63 mm x 30 mm
(3.5 in. x 2.5 in. x 1.2 in.)

Ordering Information

VSP-005	Single cartridge
VSP-025	Pack of 20 cartridges



The VESDA replacement filter cartridge (VSP-005 for single units and VSP-025 for a pack of 20) is used to replace filter cartridges in VESDA LaserCOMPACT, LaserFOCUS, LaserPLUS and LaserSCANNER detectors. One model fits all detectors.



www.xtralis.com

UK and Europe +44 1442 242 330 **D-A-CH** +49 431 23284 1 **The Americas** +1 781 740 2223

Middle East +962 6 588 5622 **Asia** +86 21 5240 0077 **Australia and New Zealand** +61 3 9936 7000

The contents of this document are provided on an "as is" basis. No representation or warranty (either express or implied) is made as to the completeness, accuracy or reliability of the contents of this document. The manufacturer reserves the right to change designs or specifications without obligation and without further notice. Except as otherwise provided, all warranties, express or implied, including without limitation any implied warranties of merchantability and fitness for a particular purpose are expressly excluded.

Xtralis, Xtralis logo, The Sooner You Know, VESDA, ICAM, ECO, OSID, HeiTel, ADPRO, IntrusionTrace, and LoiterTrace are trademarks and/or registered trademarks of Xtralis and/or its subsidiaries in the United States and/or other countries. Other brand names mentioned herein are for identification purposes only and may be trademarks of their respective holder(s). Your use of this document does not constitute or create a licence or any other right to use the name and/or trademark and/or label.

This document is subject to copyright owned by Xtralis. You agree not to copy, communicate to the public, adapt, distribute, transfer, sell, modify or publish any contents of this document without the express prior written consent of Xtralis.

Doc. no. 13996_01

Part No. 29814

VESDA[®]
by  **xtralis**[™]