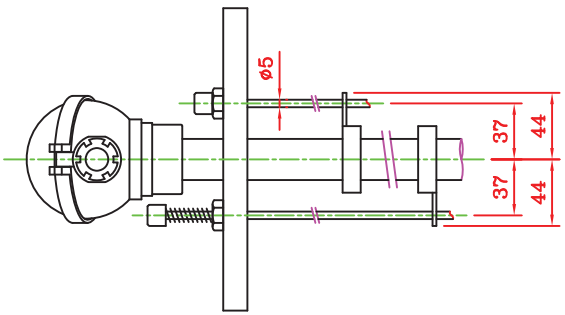


※ TESTING DEVICE



11	TESTING DEVICE	SUS304 BsBM	2	
10	USE NAME PLATE	SUS304	1	
9	NAME PLATE	TETRON FILM	1	
8	MAGNET		2 SETS	
7	REED SWITCH		2 SETS	50VA
6	FLOAT	SYNTHETIC RUBBER	2	
5	FLOAT STOPPER	SUS304	4	
4	GUIDE PIPE	SUS304	1	
3	FLANGE	SS400	1	JIS 5K 100A
2	CABLE GLAND	AC BsBM	1	
1	TERMINAL BOX	AC	1	

REV.	DESCRIPTION	DATE	CHK.	APP.	WT.
	SPEC. TYPE : LS-TM-2FT-100A CONTACT CAP. : 50VA MAX. TEMP. : 120°C ENCLOSURE : IP67				
					DWG. SZ. A4
					SCALE 1/5 DATE MAR. 2000 DSG. CHK. APP.
					TITLE LEVEL SWITCH
					DWG.NO. DX007S-2FTn

