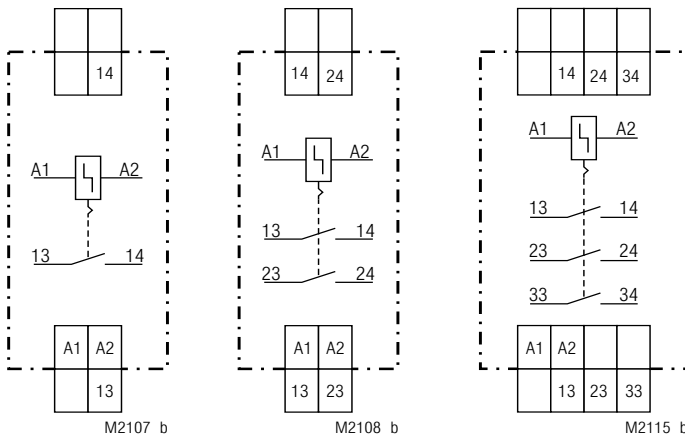


- According to IEC/EN 60 669
- Optionally contacts with up to a maximum of 4 changeover contacts
- Pushbutton for manual actuation of the contacts
- Operating position display
- Width 17,5 mm or 35 mm

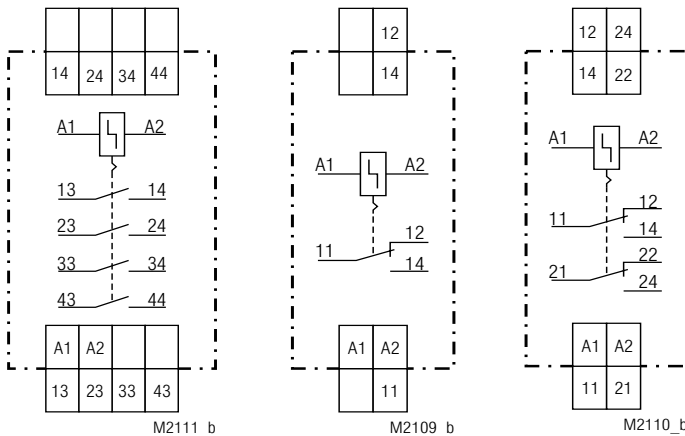
### Circuit diagram



IK 8800.01

IK 8800.02

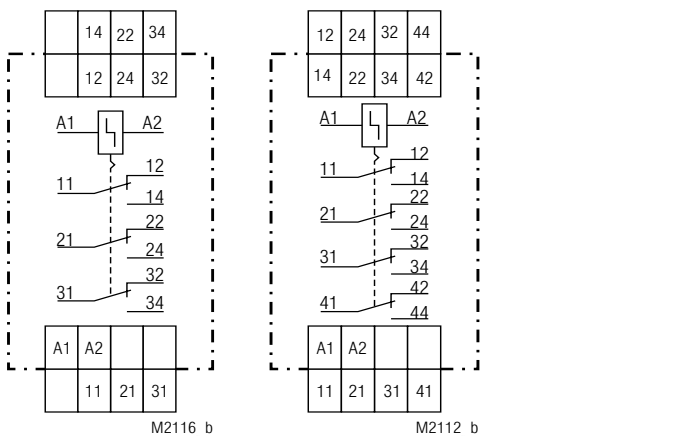
IL 8800.03



IL 8800.04

IK 8800.11

IK 8800.12



IL 8800.13

IL 8800.14

### Approvals and marking



### Function

The contacts are actuated with every current pulse and they stay in the operating position they have adopted in each case until the next pulse occurs. It is possible to actuate the contacts manually by pressing a pushbutton provided on the unit. The contact position is shown by an indicator.

The units can be installed in rows close next to each other for pulse operation. The gap between the relays is 7 mm when they are on permanently.

### Indicators

red indicator: is visible when output contacts are activated

### Technical data

#### Input

**Nominal voltage  $U_N$ :** AC 8, 24, 42, 230 V  
DC 12, 24 V,  
other voltages on request

**Voltage range:** 0,9 ... 1,1  $U_N$   
**Nominal consumption:** 1,2 contacts 4 contacts  
apparent power: 5,2 VA 10,4 VA  
actual power: 4,2 W 8,4 W

**Nominal frequency:** 50 or 60 Hz  
**Frequency range:**  $\pm 5\%$

**Glow lamp parallel to the pushbutton:** max. 8 lamps à 0,5 mA  
(corresponds to 4 mA residual current)  
**Minimum on time** > 50 ms

#### Output

#### Contacts

IK 8800.01: 1 NO contact  
IK 8800.02: 2 NO contacts  
IL 8800.03: 3 NO contacts  
IL 8800.04: 4 NO contacts  
IK 8800.11: 1 changeover contact  
IK 8800.12: 2 changeover contacts  
IL 8800.13: 3 changeover contacts  
IK 8800.14: 4 changeover contacts

**Operate time:** < 30 ms  
**Nominal output voltage:** AC 230 V / 400 V

**Electrical life**  
with resistive load AC 230 V  
and 500 switching cycles / h:

6 A 150 x 10<sup>4</sup> switching cycles  
10 A 75 x 10<sup>4</sup> switching cycles  
16 A 10 x 10<sup>4</sup> switching cycles

## Technical data

### Switching capacity

#### with lamp load:

fluorescent lamp load: 20 lamps with 58 W / contact each

duo circuit

(series compensated): 2 x 20 lamps with 58 W / contact each

5 x 10<sup>4</sup> switching cycles

bulb load: 2 000 W

5 x 10<sup>4</sup> switching cycles

### Nominal switching-off

#### capacity:

cos. φ 1 ... 0,7, AC 230 V: 16 A

Thermal current I<sub>th</sub>: 16 A

### Permissible switching

#### frequency:

1 000 switching cycles / h

### Short circuit strength

max. fuse rating: 16 A gL IEC/EN 60 947-5-1

Mechanical life: 3 x 10<sup>6</sup> switching cycles

## General data

### Operating mode:

Pulse operation

### Temperature range:

- 20 ... + 45°C

### Clearance and creepage distances

overvoltage category /

contamination level: 4 kV / 2 IEC 60 664-1

### EMC

Electrostatic discharge: 6 kV (contact) IEC/EN 61 000-4-2

Fast transients: 4 kV IEC/EN 61 000-4-4

Surge voltages

between

wires for power supply: 2 kV IEC/EN 61 000-4-5

between wire and ground: 4 kV IEC/EN 61 000-4-5

HF wire guided: 10 V IEC/EN 61 000-4-6

Degree of protection: Housing: IP 30 IEC/EN 60 529

Terminals: IP 20 IEC/EN 60 529

### Housing:

Thermoplastic with V0 behaviour

according to UL subject 94

### Vibration resistance:

Amplitude 0,35 mm

frequency 10 ... 55 Hz IEC/EN 60 068-2-6

### Climate resistance:

Humid heat IEC/EN 60 068-2-30

### Terminal designation:

EN 50 005

### Wire connection:

2 x 2,5 mm<sup>2</sup> solid or

2 x 1,5 mm<sup>2</sup> stranded ferruled

DIN 46 228-1/-2/-3/-4 or

2 x 1 mm<sup>2</sup> stranded ferruled

DIN 46 228-1/-2/-3/-4

### Wire fixing:

Flat terminals with self-lifting

clamping piece IEC/EN 60 999-1

### Mounting:

DIN rail IEC/EN 60 715

### Weight

IK 8800: 110 g

IL 8800: 210 g

## Dimensions

### Width x height x depth

IK 8800: 17,5 x 89 x 58 mm

IL 8800: 35 x 89 x 58 mm

## Standard type

IK 8800.01 AC 230 V 50/60 Hz

Article number: 0009273 stock item

• Output: 1 NO contact

• Nominal voltage U<sub>N</sub>: AC 230 V

• Width: 17,5 mm

## Variant

IK 8800.\_./66:

GL-approval

## Ordering example for Variant

IK 8800 .01 / - AC 230 V 50 Hz

Nominal frequency

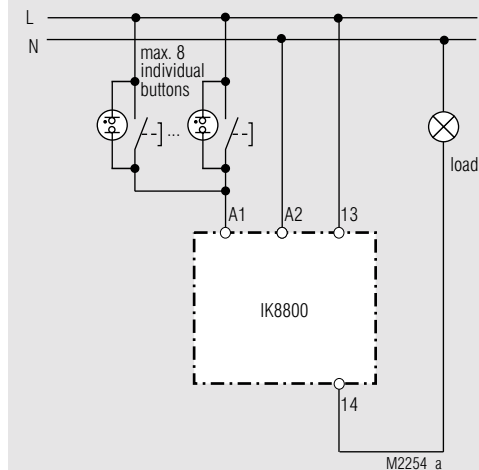
Nominal voltage

Variant, if required

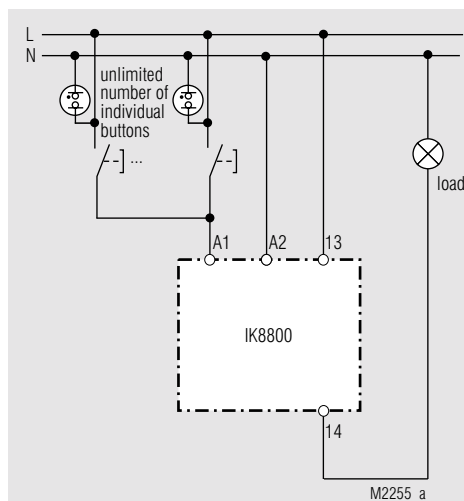
Contacts

Type

## Connection examples



This circuit can be used with up to 8 illuminated pushbuttons.



With this circuit it is possible to connect as many illuminated pushbuttons as required to a remote switch.

When low voltages are being used, the control circuit has to be disconnected from the mains system by means of a transformer. It is only possible to illuminate the pushbuttons here by providing a third control wire.

## Specification for tender for IK 8800

Remote switch according to IEC/EN 60 669 to be built in consumer units, 1 NO contact, pushbutton for manual actuation of the contacts and operating position display.

Width 17,5 mm.

Type IK 8800.01

Manufactured by: E. DOLD & SÖHNE KG

Remote switch according to IEC/EN 60 669 to be built in consumer units, 2 NO contacts, pushbutton for manual actuation of the contacts and operating position display.

Width 17,5 mm.

Type IK 8800.02

Manufactured by: E. DOLD & SÖHNE KG

Remote switch according to IEC/EN 60 669 to be built in consumer units, 4 NO contacts, pushbutton for manual actuation of the contacts and operating position display.

Width 35 mm.

Type IK 8800.04

Manufactured by: E. DOLD & SÖHNE KG

Remote switch according to IEC/EN 60 669 to be built in consumer units, 1 changeover contact, pushbutton for manual actuation of the contacts and operating position display.

Width 17,5 mm.

Type IK 8800.11

Manufactured by: E. DOLD & SÖHNE KG

Remote switch according to IEC/EN 60 669 to be built in consumer units, 2 changeover contacts, pushbutton for manual actuation of the contacts and operating position display.

Width 17,5 mm.

Type IK 8800.12

Manufactured by: E. DOLD & SÖHNE KG

Remote switch according to IEC/EN 60 669 to be built in consumer units, 4 changeover contacts, pushbutton for manual actuation of the contacts and operating position display.

Width 17,5 mm.

Type IK 8800.14

Manufactured by: E. DOLD & SÖHNE KG

